

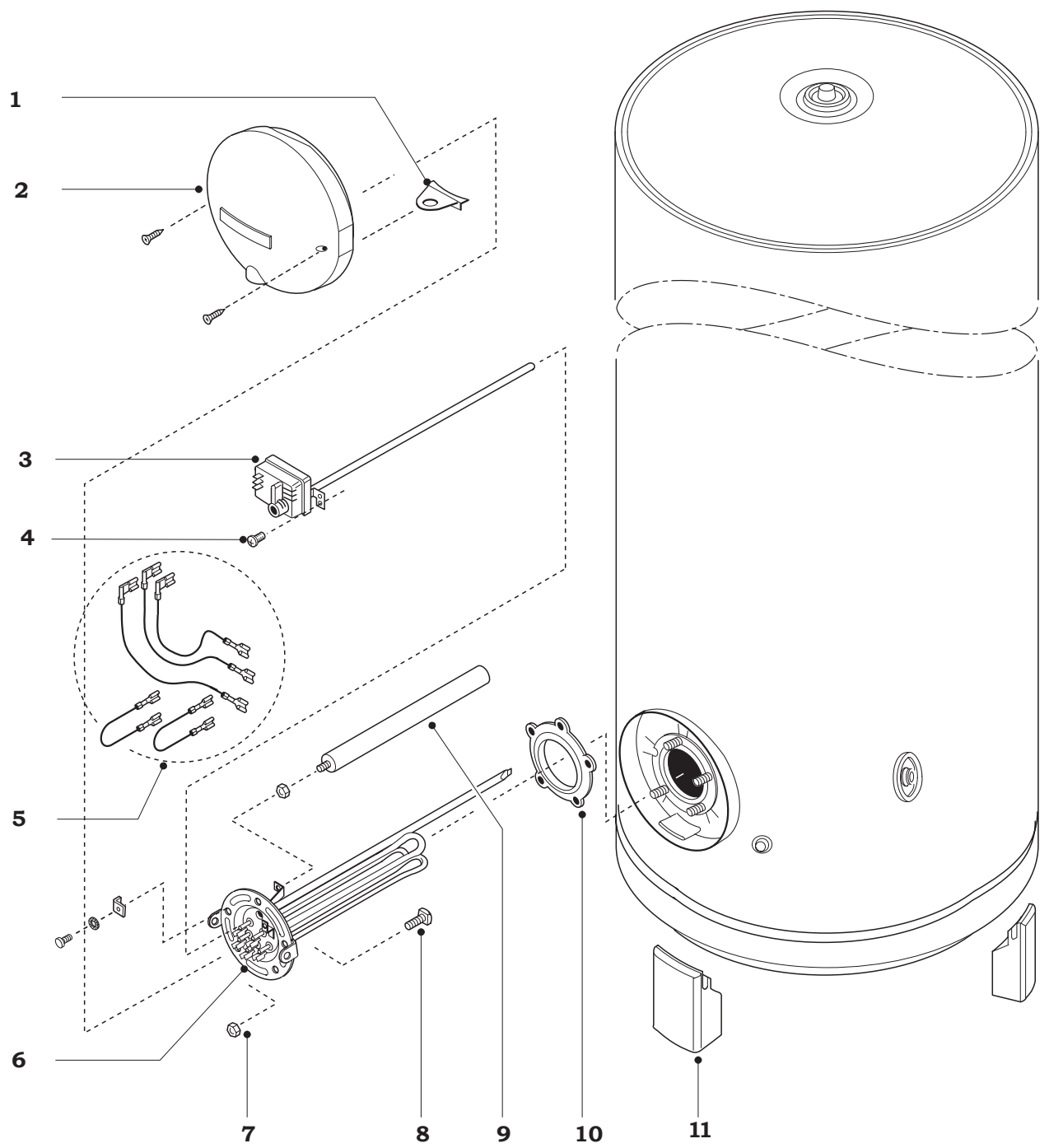


VUE ECLATEE  
CHAUFFE EAU  
Modèles  
**200 STI FLECK**  
**300 STI FLECK**

---

Edition 1 du 5 Novembre 1998





ER1998190521001002

MODELE	CODE	A PARTIR DU NUMERO:	REF.
200 STI FLECK	890224	980000000890224	A
300 STI FLECK	890225	980000000890225	B

ART.	CODE	DESCRIPTION	REF.	NOTE
1	926124	Support passe cable		
2	926166	Calottine neutre stable		
3	691600	Thermostat MTS TRI levier rouge		
4	918012	Vis M5x8 DIN 7985 TC zing		
5	935044	Kit cables emballes		
6	816536	Embase 3000W D 75 + anode		
7	918004	Ecrou de fixation embase M8		
8	918064	Vis fixat.embase M8x20		
9	570408	Anode D21.5x255xM8		
10	924001	Joint d'embase a 5 trous		
11	926136	Pieds HT 100		
100	926108	Sachet passe-cable		11

NOTE	DESCRIPTION
11	Non dessiné