



# SPARE PARTS EXPLODED VIEW STORAGE ELECTRIC WATER HEATERS

Model

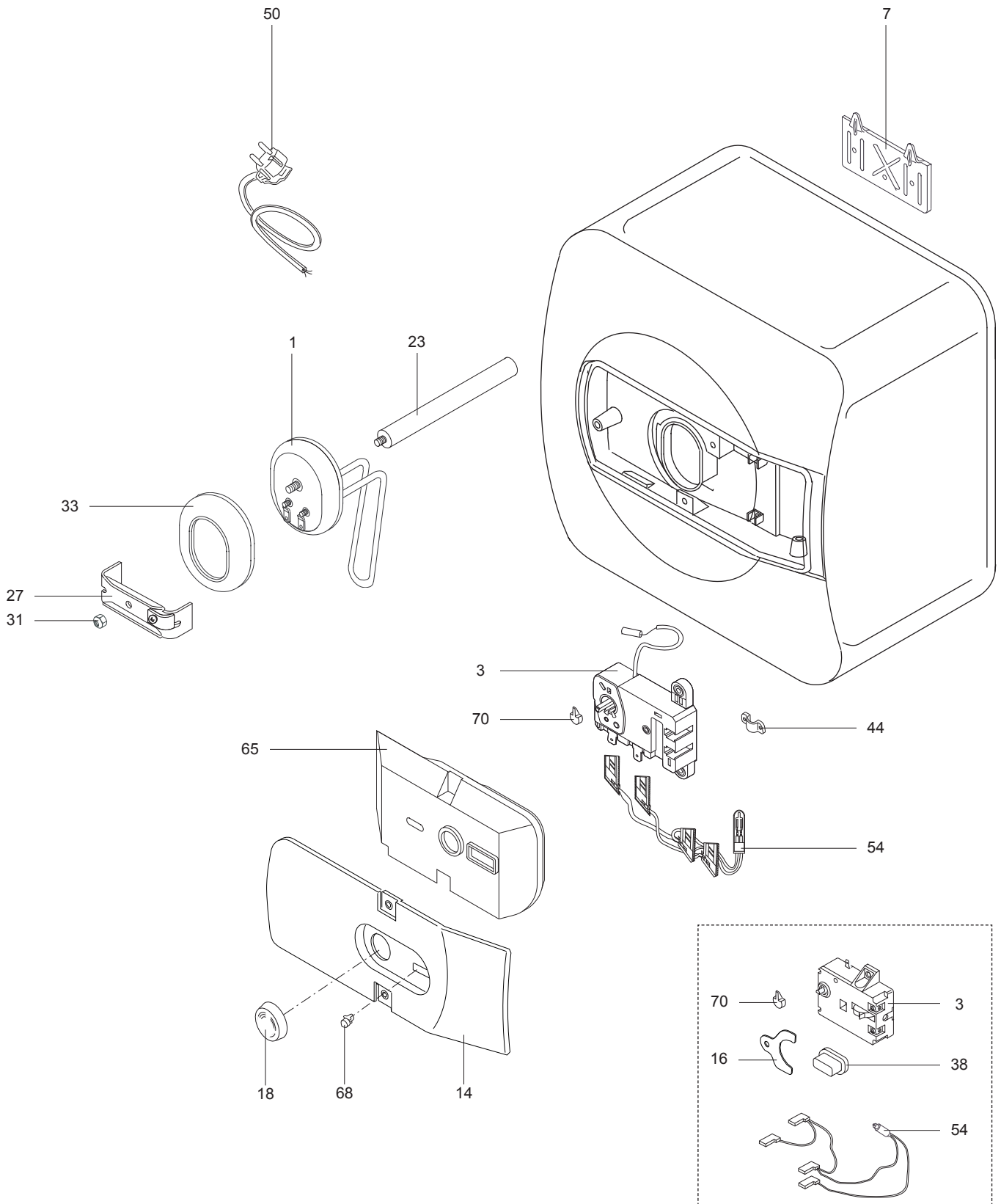
**F2000**

R8215806-03 - 29/10/2012

F2000

Storage Electric Water Heaters

1	820590	F2000 10SRE	03-1994	09-2006
2	820591	F2000 10SSE	03-1994	09-2006
3	820592	F2000 15SRE	03-1994	-
4	820593	F2000 15SSE	03-1994	-
5	820594	F2000 30SRE	03-1994	-
Col	Reference	Model type	Begin	End



...< 02/2007

☉	Description	Manf. Pt. N	Type															31
				1	2	3	4	5	6	7	8	9	10	11	12	13	14	

	Description	Manf. Pt. N	Type	1	2	3	4	5	6	7	8	9	10	11	12	13	14	15	16	17	18		
0001	HEATING ELEMENT 2000W 200-240V	65104011		•	•	•	•	•															
0003	THERMOSTAT	65101079					•	•	•													12/03	01/07
	THERMOSTAT	65101079		•																		12/03	
	THERMOSTAT	65101079			•																	03/04	
	THERMOSTAT	65103771							•													02/07	
	THERMOSTAT	65104058					•	•														02/07	
	THERMOSTAT	691598							•														11/03
	THERMOSTAT	691599		•			•	•															11/03
	THERMOSTAT	691599			•																		02/04
0007	HEATER WALL HANGING BRACKET	570341		•	•	•	•	•															
0014	PLASTIC COVER + NEON LENS	65103795					•	•														02/07	
	PLASTIC COVER + NEON LENS	65103796							•													02/07	
	PLASTIC COVER	994111					•	•															01/07
	PLASTIC COVER	994111		•	•																		01/07
	PLASTIC COVER	570042							•														01/07
0016	THERMOSTAT PLATE	570166					•	•	•	•													01/07
	THERMOSTAT PLATE	570166		•	•																		01/07
0018	KNOB	65103794					•	•	•	•												02/07	
	KNOB	570080					•	•	•	•													01/07
	KNOB	570080		•	•																		
0023	ANODE D:16 L:150 M4	574305		•	•	•	•																
	ANODE D:16 L:195 M4	65104164							•														07/06
	ANODE D:16 L:195 M4	65104164							•													08/06	
0027	FLANGE BRACKET	570024		•	•	•	•	•															
0031	NUT M6	570069		•	•	•	•	•															
0033	FLANGE GASKET	65100282		•	•	•	•	•															
0038	SWITCH PROTECTION	570025					•	•	•														01/07
	SWITCH PROTECTION	570025		•	•																		
0044	CABLE CLAMP	573266		•	•	•	•	•															
0050	POWER CABLE	570096		•	•	•	•	•															
0054	WIRING	570077					•	•	•	•													01/07
	WIRING	570077		•	•																		
	WIRING	65104037					•	•	•													02/07	
0065	SPLASH PREVENTER	65101316					•	•	•	•													05/03
	SPLASH PREVENTER	65101316		•	•																		
	SPLASH PREVENTER	65101316					•	•	•													06/03	01/07
	SPLASH PREVENTER	65104686					•	•														02/07	
	SPLASH PREVENTER	65104687							•													02/07	
0068	SIGNAL LAMP CAP	573070					•	•	•													02/07	
0070	CAP (REGULATION)	570029		•	•																		04/06
	CAP (REGULATION)	570029					•	•															
	CAP (REGULATION)	65104043					•	•															
	CAP (REGULATION)	65104043		•	•																	05/06	

## LIST OF THE ABBREVIATIONS

HW .....	: Hot water.
CW .....	: Cold water.
C .....	: Ceramic resistance (normal heating).
Ca .....	: Ceramic resistance (accelerated heating)
TP .....	: Immersion heater.
1F .....	: With fittings.
2F .....	: Without fittings.
3F .....	: With fittings and another outlet connection.
AMI .....	: With mixing valve.
SMI .....	: Without mixing valve.
PUISS .....	: Power of th appliance.
PN .....	: Appliance with normal pression.
LP .....	: Appliance with low pression.
PV .....	: Appliance with variable power.
PF .....	: Appliance with fixed power.

## IDENTIFICATION PLATE

### SERIAL NUMBER

**6 Characters :**  
Year of manufacture 03 09 08 Manufacturing day  
Month of manufacture

**9 Characters :**  
Year of manufacture 5 9 12 06 06 Sequential number  
Month of manufacture

**14 Characters :**  
SI-V-0B0 45 07 0001  
Sequential number  
Year of manufacture : → 6 → 2004  
Month of manufacture : → 25 → January 43 → July 7 → 2005  
13 → February 29 → August 8 → 2006  
32 → March 40 → September etc ...  
35 → April 38 → October  
39 → May 51 → November  
45 → June 12 → December

**15 Characters :**  
Year of manufacture 02 11 00001 007843 Code appareil  
Month of manufacture Sequential number

**21 Characters :**  
Product reference 3200050 XX 08115 0000001 Sequential number  
Year (08) / Manufacturing day (115)

**22 Characters :**  
Product reference 3200050 XX 070115 0000001 Sequential number  
Year (07) / Month (01) / Manufacturing day (15)