



SPARE PARTS EXPLODED VIEW STORAGE ELECTRIC WATER HEATERS

Model

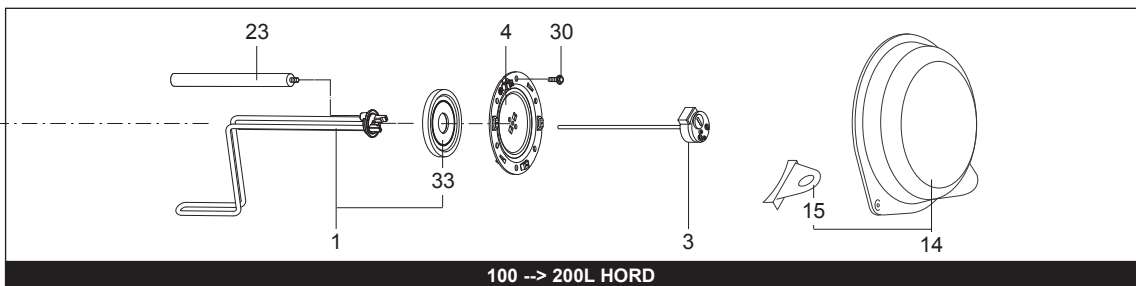
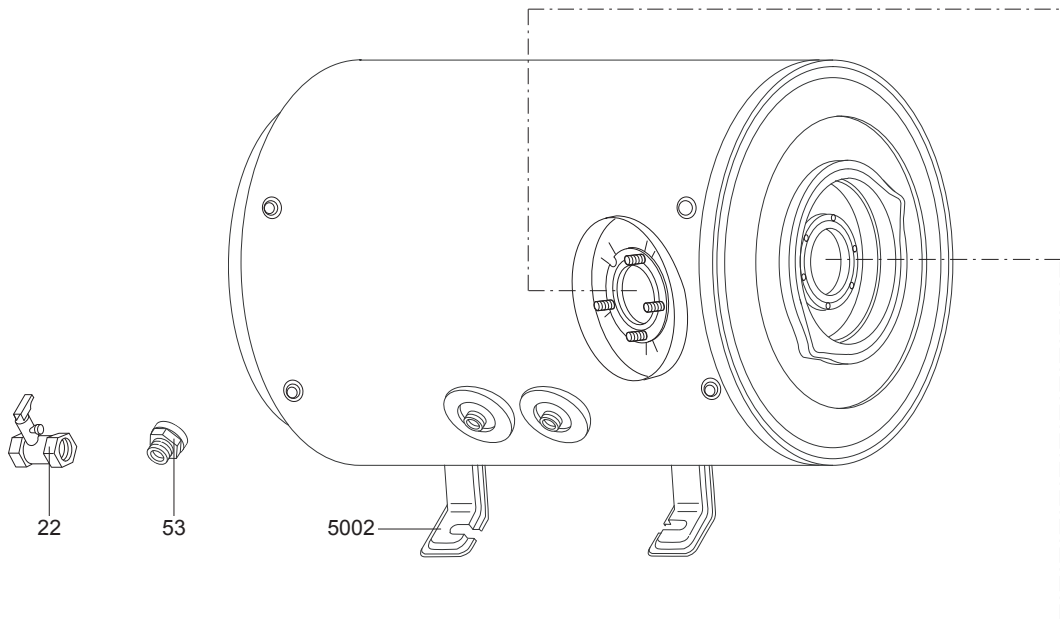
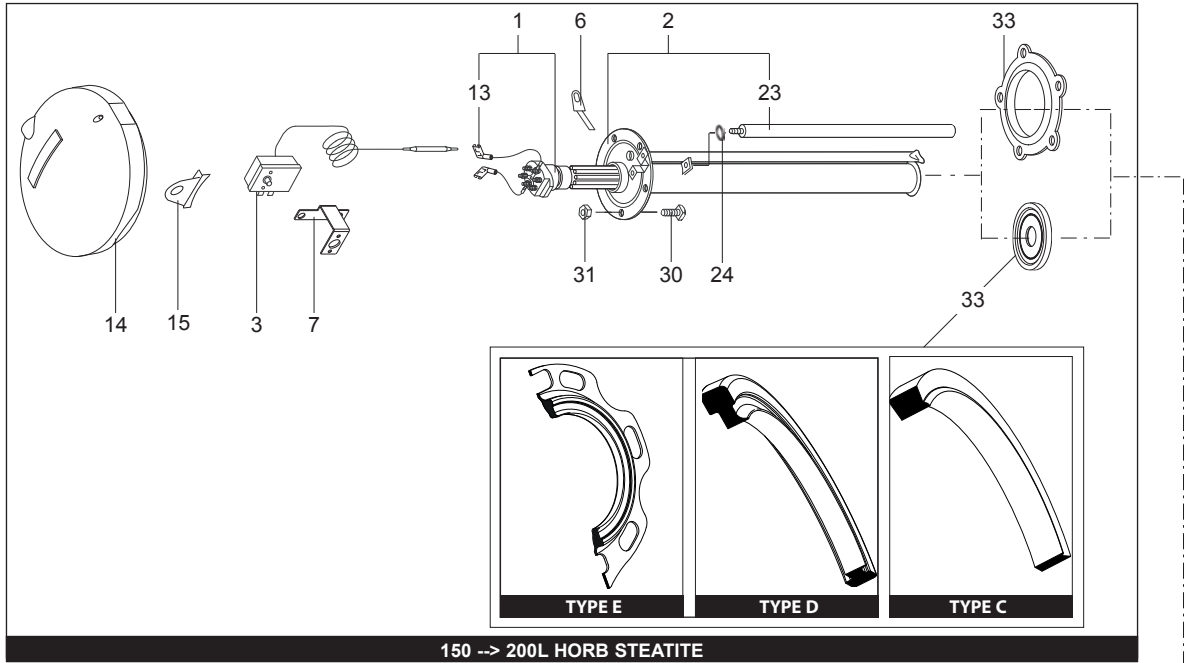
HORIZONTAL - 04/2007 --> ...

R8203246-07 - 26/02/2021

HORIZONTAL - 04/2007 --> ...

Storage Electric Water Heaters

| | | | | |
|-----|-----------|---------------------------------|---------|---------|
| 1 | 3010453 | FLE 150 HORB 560 STEA MO | 04-2013 | 11-2015 |
| 2 | 3010454 | FLE 200 HORB 560 STEA MO | 04-2013 | 11-2015 |
| 3 | 3010490 | ARI 150 HORD 560 THER MO ESP | 09-2008 | 11-2015 |
| 4 | 3010491 | ARI 200 HORD 560 THER MO ESP | 09-2008 | 11-2015 |
| 5 | 3010718 | FLE 150 HORB 560 STEA MO EU | 09-2015 | - |
| 6 | 3010719 | FLE 200 HORB 560 STEA MO EU | 09-2015 | - |
| 7 | 3010887 | FLE 100 HORD 530 THER MO EU | 05-2017 | - |
| 7 | 3010886 | CHA 100 HORD 530 THER MO EU | 05-2017 | - |
| 7 | 3010916 | ARI 100 HORD 530 THER MO EU | 07-2020 | - |
| 8 | 3000385 | ARI 150 HORD 560 THER MO ESP EU | 09-2015 | 09-2017 |
| 8 | 3010896 | ARI 150 HORD 570 THER MO ESP EU | 05-2017 | - |
| 8 | 3010889 | FLE 150 HORD 530 THER MO EU | 05-2017 | - |
| 8 | 3010888 | CHA 150 HORD 530 THER MO EU | 05-2017 | - |
| 8 | 3010917 | ARI 150 HORD 530 THER MO EU | 07-2020 | - |
| 9 | 3000386 | ARI 200 HORD 560 THER MO ESP EU | 09-2015 | 09-2017 |
| 9 | 3010900 | ARI 200 HORD 570 THER MO ESP EU | 05-2017 | - |
| 9 | 3010890 | CHA 200 HORD 530 THER MO EU | 05-2017 | - |
| 9 | 3010891 | FLE 200 HORD 530 THER MO EU | 05-2017 | - |
| 9 | 3010918 | ARI 200 HORD 530 THER MO EU | 07-2020 | - |
| Col | Reference | Model type | Begin | End |



| ☉⇒ | Description | Manf. Pt. N | Type | <div style="display: flex; justify-content: space-between; font-size: small;"> 150 L HORB STEA 200 L HORB STEA 150 L HORB THER 200 L HORB THER 150 L HORB STEA - EU 200 L HORB STEA - EU 150 L HORB THER - EU 200 L HORB THER - EU </div> | | | | | | | | | | | | | | | | | | From | to |
|-------------|---------------------------------------|-------------|--------|---|---|---|---|---|---|---|---|---|----|----|----|----|----|----|----|----|-------|------|----|
| | | | | 1 | 2 | 3 | 4 | 5 | 6 | 7 | 8 | 9 | 10 | 11 | 12 | 13 | 14 | 15 | 16 | 17 | 18 | | |
| 0001 | CERAMIC RESISTANCE 2000W | 396004-01 | | • | • | | | | | | | | | | | | | | | | | | |
| | CERAMIC RESISTANCE 2000W | 60000190-02 | | | | | | | • | • | | | | | | | | | | | | | |
| | IMMERSION HEATER 2000W | 60000706 | | | | • | • | | | • | • | • | | | | | | | | | | | |
| 0002 | FLANGE STEATITE | 60002695 | | | | | | | • | • | | | | | | | | | | | | | |
| | FLANGE WITH ANODE | 396037 | | • | • | | | | | | | | | | | | | | | | | | |
| 0003 | THERMOSTAT | 60000954 | | • | • | | | | • | • | | | | | | | | | | | | | |
| | THERMOSTAT TBS2 | 691214 | | | | • | • | | | • | • | • | • | • | | | | | | | | | |
| 0004 | MATING FLANGE | 60000686 | | | | • | • | | | • | • | • | • | • | | | | | | | | | |
| 0006 | FIXING BRACKET | 60072531 | | | | | | | • | • | | | | | | | | | | | | | |
| | SUPPORT (ELEMENT) | 65101298 | | • | • | | | | | | | | | | | | | | | | | | |
| 0007 | THERMOSTAT SUPPORT | 60000955 | | • | • | | | | | | | | | | | | | | | | | | |
| 0013 | LEAD (BROWM) | 61401779 | | • | • | | | | | | | | | | | | | | | | | | |
| | WIRING BROWM Lg. 120 | 60003151 | | | | | | | • | • | | | | | | | | | | | | | |
| 0014 | COVER | 60002693 | | • | • | | | | • | • | | | | | | | | | | | | | |
| | PLASTIC COVER | 60002276 | | | | • | • | | | | | | | | | | | | | | | | |
| | PLASTIC COVER | 60002583 | | | | | | | | | • | • | • | | | | | | | | | | |
| 0015 | CABLE BUSHING | 65113517 | | | | | | | | | • | • | • | | | | | | | | | | |
| | CABLE BUSHING | 65113517 | | | | | | | • | • | | | | | | | | | | | 04/14 | | |
| | WIRE PIN BRACKET | 60002702 | | | | | | | • | • | | | | | | | | | | | | | |
| | WIRE PIN BRACKET | 926124 | | | | • | • | | | | | | | | | | | | | | 03/14 | | |
| | WIRE PIN BRACKET | 926124 | | • | • | | | | | | | | | | | | | | | | | | |
| 0022 | SAFETY VALVE (3/4" 6,5 BAR) | 60001310 | | • | • | • | • | • | • | | • | • | | | | | | | | | | | |
| 0023 | ANODE D:21,3 L:430 M5-M8 | 61402252-01 | | • | • | | | | | | | | | | | | | | | | | | |
| | ANODE D:25,5 L:230 M5-M8 | 993014-01 | | | | • | • | | | • | • | • | • | | | | | | | | | | |
| | ANODE D:25,5 L:440 M8 | 60000797 | | | | | | | • | • | | | | | | | | | | | | | |
| 0024 | ANODE GASKET | 61402251 | | | | | | | • | • | | | | | | | | | | | | | |
| 0030 | SCREW M8X14 (6 PCES) | 60000681 | | | | • | • | • | • | • | • | • | • | | | | | | | | | | |
| | SCREW M8X20 | 918064 | | • | • | | | | | | | | | | | | | | | | | | |
| | SCREW M8X25 | 918001 | | • | • | | | | | | | | | | | | | | | | | | |
| | NUT M8 | 918004 | | • | • | | | | | | | | | | | | | | | | | | |
| 0033 | FLANGE GASKET D121,7 X 105 X 11,5 | 60000682 | TYPE C | | | | | | • | • | | | | | | | | | | | | | |
| | FLANGE GASKET WITH 5 HOLES | 60003308 | | • | • | | | | | | | | | | | | | | | | | | |
| | FLANGE GASKET Ø 105 | 60000687 | | | | • | • | | | • | • | • | • | | | | | | | | | | |
| | FLANGE GASKET Ø 105 | 60002697 | TYPE D | | | | | | • | • | | | | | | | | | | | | | |
| | FLANGE GASKET Ø 105 | 60002697 | TYPE E | | | | | | • | • | | | | | | | | | | | | | |
| 0053 | DIELECTRIC FITTINGS 3/4" | 65118634 | | • | • | • | • | • | • | • | • | • | • | | | | | | | | | | |
| 5000 | ACCESSORIES | | | | | | | | | | | | | | | | | | | | | | |
| 5002 | WALL FIXING BRACKET D:470-505-560-570 | 912006 | | • | • | • | • | • | • | | • | • | | | | | | | | | | | |
| | WALL FIXING BRACKET D:530 | 60002292 | | | | | | | | | • | • | • | | | | | | | | | | |

LIST OF THE ABBREVIATIONS

| | |
|-------------|--|
| HW | : Hot water. |
| CW | : Cold water. |
| C | : Ceramic resistance (normal heating). |
| Ca | : Ceramic resistance (accelerated heating) |
| TP | : Immersion heater. |
| 1F | : With fittings. |
| 2F | : Without fittings. |
| 3F | : With fittings and another outlet connection. |
| AMI | : With mixing valve. |
| SMI | : Without mixing valve. |
| PUISS | : Power of th appliance. |
| PN | : Appliance with normal pression. |
| LP | : Appliance with low pression. |
| PV | : Appliance with variable power. |
| PF | : Appliance with fixed power. |

IDENTIFICATION PLATE

SERIAL NUMBER

| | | | |
|------------------------------|---|---|---------|
| 9 Characters : | 07 91 00301 (from 01/77 to 12/92) | | |
| Month of manufacture | 07 | Sequential number | 00301 |
| Year of manufacture | 91 | | |
| 10 Characters : | 95 01 065004 (from 01/93 to 06/95) | | |
| Year of manufacture | 95 | Sequential number | 065004 |
| | 01 | Month of manufacture | 04 |
| OU | | | |
| 10 Characters : | 01 95 065004 (from 07/95) | | |
| Month of manufacture | 01 | Sequential number | 065004 |
| | 95 | Year of manufacture | 04 |
| 12 Characters : | 924 2 3 134 0115 | | |
| Product reference | 924 | Sequential number | 134 |
| Year of manufacture | 2 | Manufacturing day | 0115 |
| | 3 | | |
| 15 ou 16 Characters : | (0)03 070 0001 893077 (from 01/97 to 01/05) | | |
| Year of manufacture | (0)03 | Product reference | 893077 |
| Day of manufacture | 070 | Sequential number | 0001 |
| OU | | | |
| 16 Characters : | 05 070 0001 0000000 (from 02/05) | | |
| Year of manufacture | 05 | Product reference | 0000000 |
| Day of manufacture | 070 | Sequential number | 0001 |
| 17 Characters : | 07 070 00315 3070107 | | |
| Year of manufacture | 07 | Product reference | 3070107 |
| | 070 | Sequential number | 00315 |
| | | Manufacturing day (70) | 107 |
| 21 Characters : | 3000115 XX 08115 0000001 | | |
| Product reference | 3000115 | Sequential number | 0000001 |
| | XX | Year (08) / Manufacturing day (115) | 08115 |
| 22 Characters : | 3000115 XX 070416 0000001 | | |
| Product reference | 3000115 | Sequential number | 0000001 |
| | XX | Year (07) / Month (04) / Manufacturing day (16) | 070416 |