



SPARE PARTS EXPLODED VIEW STORAGE ELECTRIC WATER HEATERS

Model

HORIZONTAL - ... → 03/2007

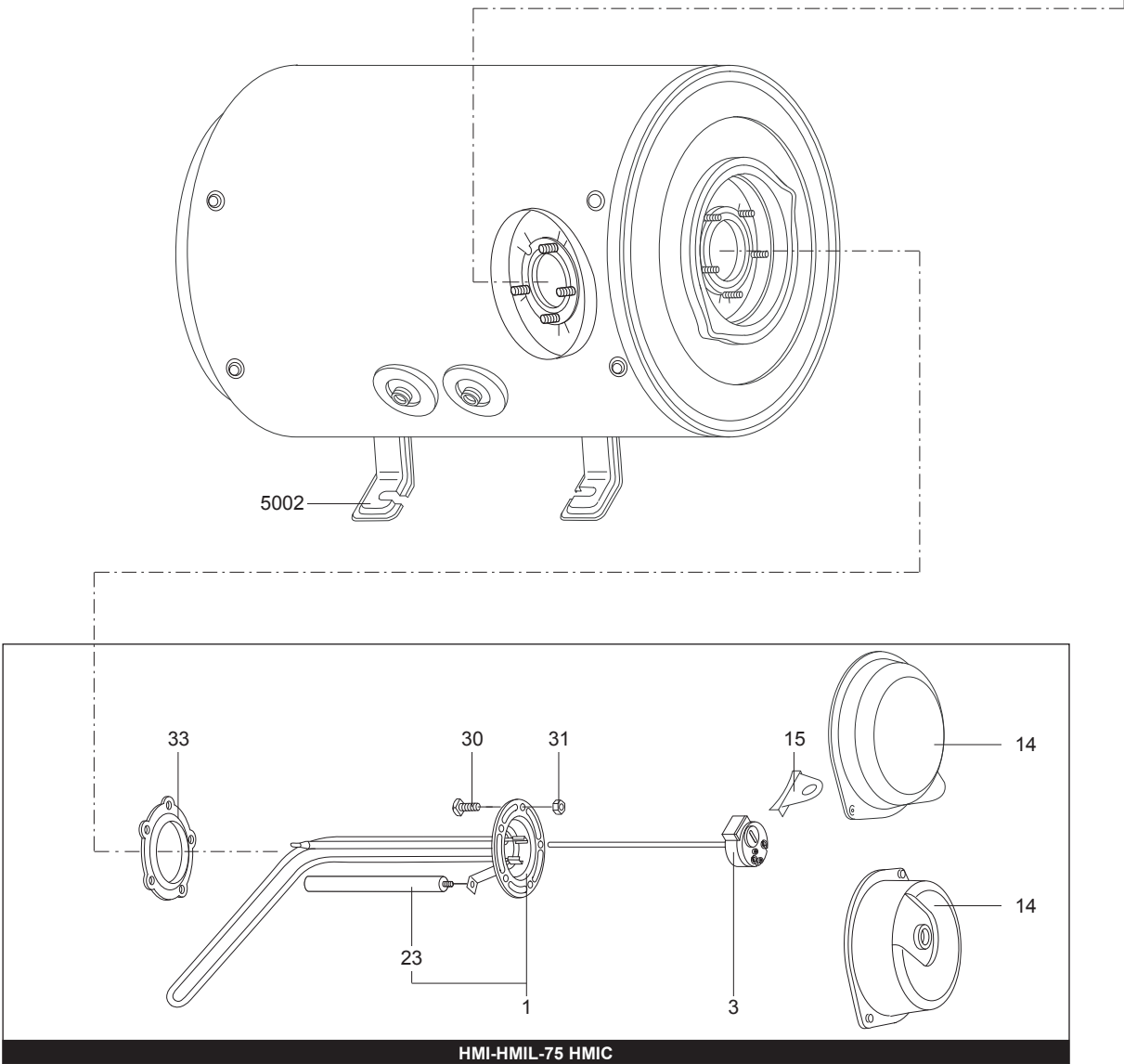
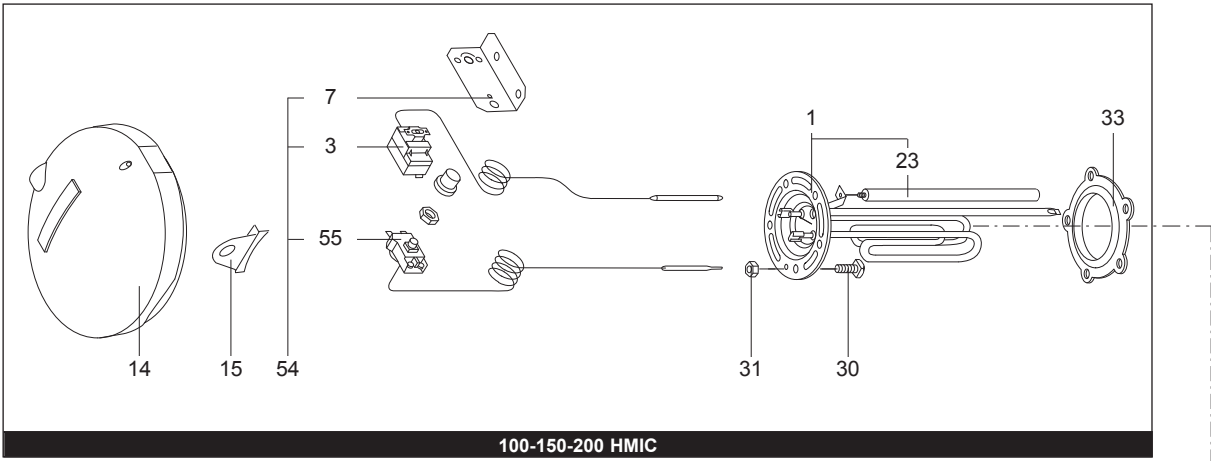
R8202931-03 - 18/06/2013

HORIZONTAL - ... → 03/2007

Storage Electric Water Heaters

1	892349	FL 75 HMIC	02-1999	06-2007
2	892209	FL 100 HMIC	12-2000	06-2007
3	892210	FL 150 HMIC	12-2000	06-2007
4	892211	FL 200 HMIC	12-2000	06-2007
5	892337	FL 75 HMIL	02-1999	05-2007
6	892338	FL 100 HMIL	02-1999	05-2007
7	892339	FL 150 HMIL	02-1999	05-2007
8	892340	FL 200 HMIL	02-1999	05-2007
9	892205	FL 75 HMI	12-2000	03-2007
10	892206	FL 100 HMI	12-2000	03-2007
11	892207	FL 150 HMI	12-2000	03-2007
12	892208	FL 200 HMI	12-2000	03-2007

Col	Reference	Model type	Begin	End
-----	-----------	------------	-------	-----



☺⇒	Description	Manf. Pt. N	Type															31		
				1	2	3	4	5	6	7	8	9	10	11	12	13	14		15	16
0001	IMMERSION HEATER 1500W	816131		•																
	IMMERSION HEATER 2000W	816085								•	•	•	•							12/02
	IMMERSION HEATER 2000W	816107								•	•	•	•							
	IMMERSION HEATER 2000W	816127		•	•	•														
	IMMERSION HEATER 2000W	990468												•	•	•				01/03
	IMMERSION HEATER 2000W	990469												•						01/03
0003	THERMOSTAT	691214		•						•	•	•	•	•	•	•	•			
	THERMOSTAT	921034			•	•	•													
0007	SUPPORT (THERMOSTAT FIRT)	65101064			•	•	•													
0014	COVER	926041								•	•	•	•							
	COVER	926115		•										•	•	•	•			
	COVER	926166			•	•	•													
0015	WIRE PIN BRACKET	926124		•	•	•	•							•	•	•	•			
0023	ANODE D:21,3 L:275 M5-M8	61316488-01			•	•	•													
	ANODE D:25,5 L:230 M5-M8	993014-01		•				•	•	•	•	•	•	•	•					
0030	SCREW M8X20	918064		•	•	•	•	•	•	•	•	•	•	•	•					
	SCREW M8X25	918001			•	•	•													
0031	NUT (M8)	918004		•	•	•	•	•	•	•	•	•	•	•	•					
0033	FLANGE GASKET 5 HOLES	924001		•	•	•	•	•	•	•	•	•	•	•	•					
0054	THERMOSTAT (COMPLETE FIRT-CAEM)	925306			•	•	•													
0055	SAFETY THERMOSTAT FIRT	921036			•	•	•													
5000	ACCESSORIES																			
5002	WALL FIXING BRACKET	912006		•	•	•	•	•	•	•	•	•	•	•	•					

LIST OF THE ABBREVIATIONS

HW	: Hot water.
CW	: Cold water.
C	: Ceramic resistance (normal heating).
Ca	: Ceramic resistance (accelerated heating)
TP	: Immersion heater.
1F	: With fittings.
2F	: Without fittings.
3F	: With fittings and another outlet connection.
AMI	: With mixing valve.
SMI	: Without mixing valve.
PUISS	: Power of th appliance.
PN	: Appliance with normal pression.
LP	: Appliance with low pression.
PV	: Appliance with variable power.
PF	: Appliance with fixed power.

IDENTIFICATION PLATE

SERIAL NUMBER

9 Characters : 07 91 00301 (from 01/77 to 12/92)

Month of manufacture _____ Sequential number
 Year of manufacture _____

10 Characters : 95 01 065004 (from 01/93 to 06/95)

Year of manufacture _____ Sequential number
 Month of manufacture _____

OU

10 Characters : 01 95 065004 (from 07/95)

Month of manufacture _____ Sequential number
 Year of manufacture _____

12 Characters : 924 2 3 134 0115

Product reference _____ Sequential number
 Year of manufacture _____ Manufacturing day

15 ou 16 Characters : (0)03 070 0001 893077 (from 01/97 to 01/05)

Year of manufacture _____ Product reference
 Day of manufacture _____ Sequential number

OU

16 Characters : 05 070 0001 0000000 (from 02/05)

Year of manufacture _____ Product reference
 Day of manufacture _____ Sequential number

17 Characters : 07 070 00315 3070107

Year of manufacture _____ Product reference
 Sequential number
 Manufacturing day (70)

21 Characters : 3000115 XX 08115 0000001

Product reference _____ Sequential number
 Year (08) / Manufacturing day (115)

22 Characters : 3000115 XX 070416 0000001

Product reference _____ Sequential number
 Year (07) / Month (04) / Manufacturing day (16)