



SPARE PARTS EXPLODED VIEW STORAGE ELECTRIC WATER HEATERS

Model

VERTICAL - CER - 04/2007 → ...

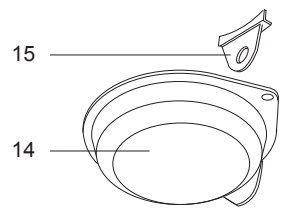
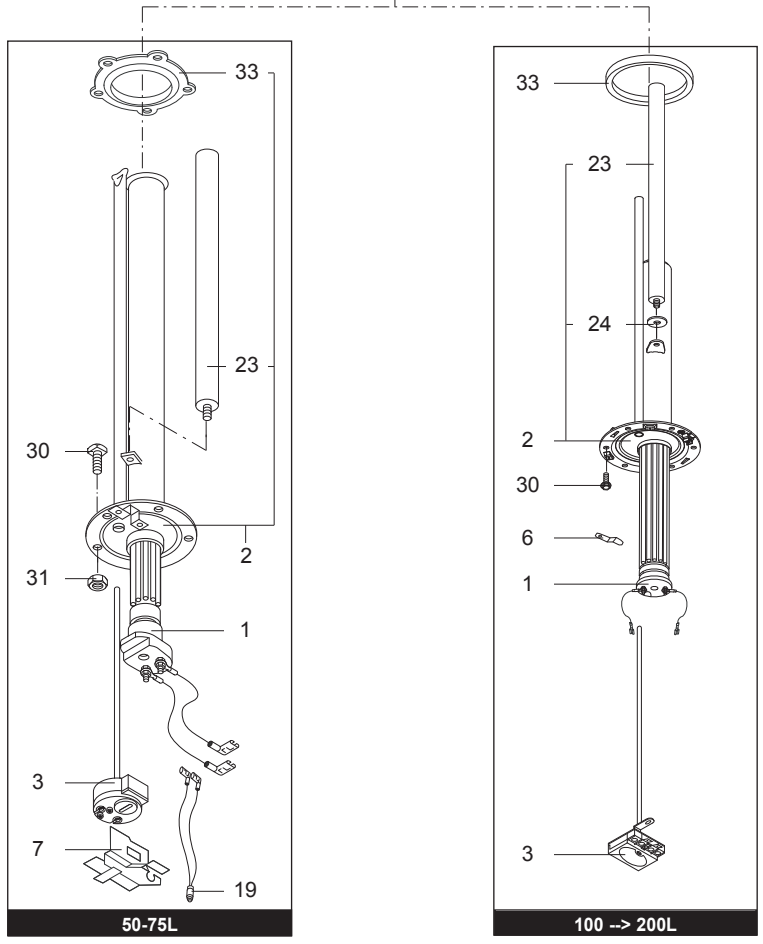
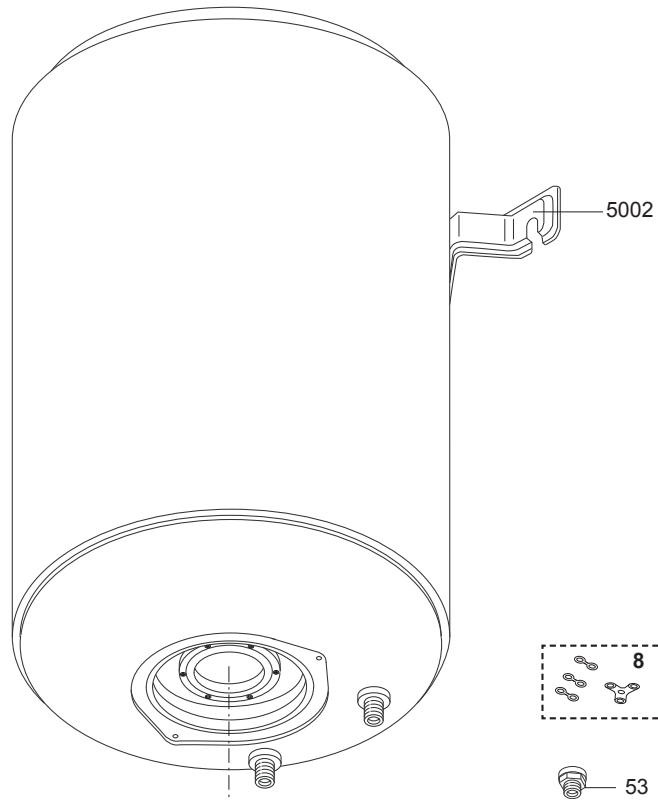
R8203230-07 - 08/04/2016

VERTICAL - CER - 04/2007 → ...

Storage Electric Water Heaters

1	3010112	FLE 050 VERT 460 STEA MO	05-2007	11-2015
2	3010113	FLE 075 VERT 460 STEA MO	05-2007	11-2015
3	3010114	FLE 100 VERT 505 STEA MO	05-2007	11-2015
4	3010115	FLE 150 VERT 505 STEA MO	05-2007	11-2015
4	3010244	FLE 150 VERT 505 STEA TR	06-2007	12-2014
5	3010116	FLE 200 VERT 505 STEA MO	05-2007	11-2015
5	3010245	FLE 200 VERT 505 STEA TR	06-2007	12-2014
6	3010792	FLE 050 VERT 470 STEA MO EU		
7	3010793	FLE 075 VERT 470 STEA MO EU		
8	3000462	FLE 100 VERT 530 STEA MO EU		
8	3010839	FLE 100 VERT 505 STEA MO EU		
9	3000463	FLE 150 VERT 530 STEA MO EU		
9	3010840	FLE 150 VERT 505 STEA MO EU		
10	3000464	FLE 200 VERT 530 STEA MO EU		
10	3010841	FLE 200 VERT 505 STEA MO EU		

Col	Reference	Model type	Begin	End
-----	-----------	------------	-------	-----



☉⇒	Description	Manf. Pt. N	Type												From	to					
				1	2	3	4	5	6	7	8	9	10	11			12	13	14	15	16
0001	CERAMIC RESISTANCE 1200W D.33	396144-01		•	•															01/08	
	CERAMIC RESISTANCE 1200W D.39	60001054-01		•	•					•	•									02/08	
	CERAMIC RESISTANCE 1200W D.50	61400606-01				•					•										
	CERAMIC RESISTANCE 1800W D.50	61400608-01					•					•									
	CERAMIC RESISTANCE 2400W D.50	61005491						•					•								
	CERAMIC RESISTANCE 2400W D.50	61005491	TRI				•	•						•							
0002	FLANGE WITH ANODE	396037		•	•															02/08	03/09
	FLANGE WITH ANODE	396119		•	•																01/08
	FLANGE WITH ANODE	60000690				•						•									
	FLANGE WITH ANODE	60000692						•											•		
	FLANGE WITH ANODE	60002184		•	•					•	•									02/13	
	FLANGE WITH ANODE	65108722		•	•															04/09	01/13
	FLANGE WITH ANODE	60000691	MONO				•												•		
	FLANGE WITH ANODE	60000692	TRI				•														
0003	THERMOSTAT L:300	60000678				•						•									
	THERMOSTAT L:350	60001267		•	•							•								04/09	
	THERMOSTAT L:450	60002566								•											
	THERMOSTAT L:450	691526		•	•																03/09
	THERMOSTAT L:450	60000683	MONO				•	•											•		
	THERMOSTAT L:450	60000701	TRI				•	•													
0006	FIXING BRACKET	60072531				•	•	•				•	•	•							
0007	PLASTIC SEPARATOR	926084		•	•					•	•										
0008	COPPER PLATE (X2) + CONNECT. (X3) (Kit)	60000696	TRI				•	•													
0014	COVER	60002571											•	•	•						
	COVER + RED SIGNAL	65108721-01		•																02/08	
	PLASTIC COVER	60002276		•																	01/08
	PLASTIC COVER	60002276			•	•	•	•													
	PLASTIC COVER	60002569								•	•										
0015	CABLE BUSHING	65113517		•	•	•	•	•	•	•	•	•	•	•	•					11/13	
	WIRE PIN BRACKET	926124		•	•	•	•	•													10/13
0019	PILOT LIGHT	60000802		•																02/08	03/10
	SIGNAL LAMP	993025		•																04/10	10/13
	SIGNAL LAMP	993025								•										11/13	
	SIGNAL LAMP	993186		•																11/13	
0023	ANODE D:21,3 L:275 M5-M8	61316488-01		•	•					•	•									04/09	
	ANODE D:21,3 L:430 M5-M8	61402252-01		•	•																03/09
	ANODE D:25,5 L:350 M5-M8	60001570				•	•	•				•	•	•							
0024	ANODE GASKET	61402251				•	•	•				•	•	•							
0030	SCREW M6X20	65151225		•	•					•	•									02/13	
	SCREW M8X14 (6 PCES)	60000681				•	•	•				•	•	•							
	SCREW M8X20	918064		•	•																01/13
	SCREW M8X25	918001		•	•																01/13
0031	LOCK NUT M6	994140		•	•					•	•									02/13	
	NUT M8	918004		•	•																01/13
0033	FLANGE GASKET	65150952		•	•					•	•									02/13	
	FLANGE GASKET D.75	571312		•	•															04/09	01/13
	FLANGE GASKET D:121.7-105-11.5	60000682				•	•	•				•	•	•							
	FLANGE GASKET WITH 5 HOLES	924001		•	•																03/09
0053	CONFECTION DIELECTRIC JOINTS 1/2» (2PCS)	65113408								•											
	DIELECTRIC JOINT 3/4»	926195									•	•	•	•							
5000	ACCESSORIES																				
5002	WALL FIXING BRACKET D:470-505-560	912006		•	•	•	•	•	•	•	•	•	•	•	•						
	WALL FIXING BRACKET D:530	60002292										•	•	•							

LIST OF THE ABBREVIATIONS

HW	: Hot water.
CW	: Cold water.
C	: Ceramic resistance (normal heating).
Ca	: Ceramic resistance (accelerated heating)
TP	: Immersion heater.
1F	: With fittings.
2F	: Without fittings.
3F	: With fittings and another outlet connection.
AMI	: With mixing valve.
SMI	: Without mixing valve.
PUISS	: Power of th appliance.
PN	: Appliance with normal pression.
LP	: Appliance with low pression.
PV	: Appliance with variable power.
PF	: Appliance with fixed power.

IDENTIFICATION PLATE

SERIAL NUMBER

9 Characters : 07 91 00301 (from 01/77 to 12/92)

Month of manufacture 07 91 00301 Sequential number
Year of manufacture 07 91 00301

10 Characters : 95 01 065004 (from 01/93 to 06/95)

Year of manufacture 95 01 065004 Sequential number
Month of manufacture 95 01 065004

OU

10 Characters : 01 95 065004 (from 07/95)

Month of manufacture 01 95 065004 Sequential number
Year of manufacture 01 95 065004

12 Characters : 924 2 3 134 0115

Product reference 924 2 3 134 0115 Sequential number
Year of manufacture 924 2 3 134 0115 Manufacturing day

15 ou 16 Characters : (0)03 070 0001 893077 (from 01/97 to 01/05)

Year of manufacture (0)03 070 0001 893077 Product reference
Day of manufacture (0)03 070 0001 893077 Sequential number

OU

16 Characters : 05 070 0001 0000000 (from 02/05)

Year of manufacture 05 070 0001 0000000 Product reference
Day of manufacture 05 070 0001 0000000 Sequential number

17 Characters : 07 070 00315 3070107

Year of manufacture 07 070 00315 3070107 Product reference
Sequential number
Manufacturing day (70)

21 Characters : 3000115 XX 08115 0000001

Product reference 3000115 XX 08115 0000001 Sequential number
Year (08) / Manufacturing day (115)

22 Characters : 3000115 XX 070416 0000001

Product reference 3000115 XX 070416 0000001 Sequential number
Year (07) / Month (04) / Manufacturing day (16)