



SPARE PARTS EXPLODED VIEW STORAGE GAS WATER HEATERS

Model

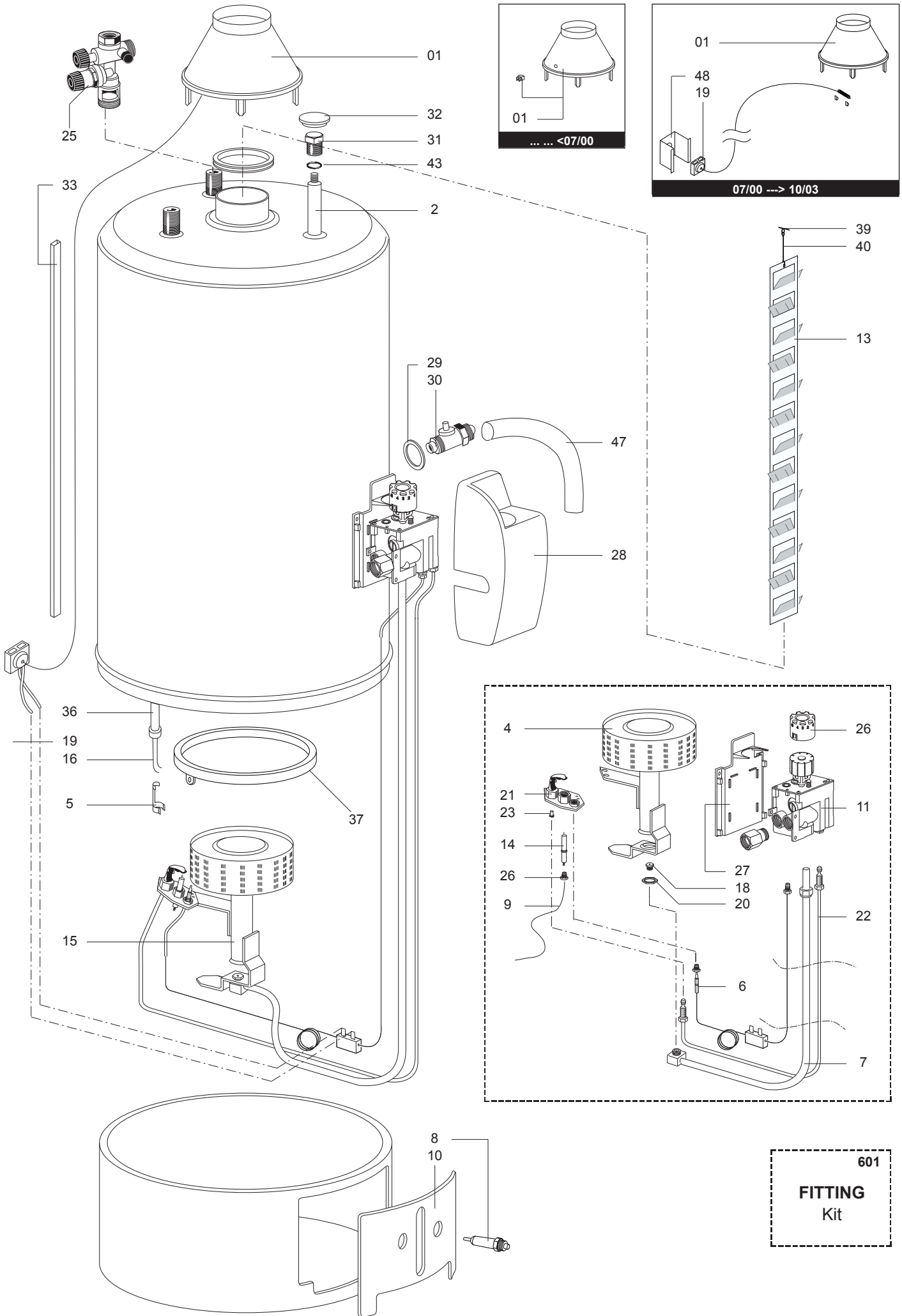
FRG

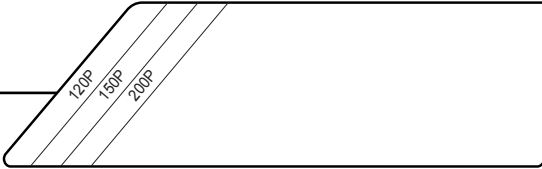

R8215528-03 - 04/06/2012

FRG

Storage Gas Water Heaters

1	005523	FG 12 FLECK	03-1998	12-2004
2	005610	FG 16 FLECK	03-1998	12-2004
3	005737	FG 20 FLECK	03-1998	12-2004
Col	Reference	Model type	Begin	End



☰	Description	Manf. Pt. N	Type																												
				1	2	3	4	5	6	7	8	9	10	11	12	13	14	15	16	17	18										
0001	FLUE HOOD (COMPLETE)	289740		●	●	●																						06/00			
	FLUE HOOD (COMPLETE)	65101032		●																								07/00	10/03		
	FLUE HOOD (COMPLETE)	65101032			●																							11/03	07/05		
	FLUE HOOD (COMPLETE)	65101032				●																						11/03			
	FLUE HOOD (COMPLETE)	65102140		●																								11/03			
	FLUE HOOD (COMPLETE)	65102140			●																							08/05			
0002	ANODE D:21,3 L:800 M8	291086		●	●																										
	MAGNESIUM ANODE D:21,3 L:1000 M8	291087				●																									
	ANODE D:18 L:600 M5-M8	919031-01		●																											
0003	IGNITION ELECTRODE FIXING FITTING	230712		●	●	●																									
0004	BURNER	290626		●	●	●																									
0005	SPRING (PROBE CLAMP)	290356		●	●	●																									
0006	THERMOCOUPLE (INTERRUPTED)	65103658		●	●	●																									
0007	PIPE (GAS VALVE/BURNER)	122452		●	●	●																									
0008	PUSH BUTTON (PIEZO)	200254		●	●	●																									
0009	CABLE (PIEZO IGNITION)	200259		●	●	●																									
0010	COVER (INSPECTION)	290947		●	●	●																									
0011	GAS VALVE WITH CAPACITY REGULATOR	107825		●	●	●																									
0013	FLUE BAFFLE	289280			●																										
	FLUE BAFFLE	289295		●																											
	FLUE BAFFLE	289296				●																									
0014	ELECTRODE (IGNITION)	200253		●	●	●																									
0015	GAS GROUP	65103657	NG	●																											
	GAS GROUP	65103659	NG		●																										
	GAS GROUP	65104514	NG			●																									
0016	THERMOSTAT (SAFETY)	65103474		●	●	●																									
0018	BURNER JET	290595	LG		●																										
	BURNER JET	290715	LG	●																											
	BURNER JET	290954	LG			●																									
	BURNER JET	289019	NG	●																											
	BURNER JET	289020	NG			●																									
0019	BULB THERMOSTAT 85C (UNIPOLAR)	65103656		●	●	●																									
0020	NUT	240151		●	●	●																									
0021	BURNER (PILOT)	290643		●	●	●																									
0022	PIPE (GAS VALVE/PILOT BURNER)	122453		●	●	●																									
0023	BURNER JET (PILOT)	290727	LG	●																											
	BURNER JET (PILOT)	290726	NG	●	●	●																									
0025	SAFETY VALVE	230213		●	●	●																									
0026	COVER (GAS VALVE KNOB)	220288		●	●	●																									
0027	SUPPORT PLATE (GAS VALVE)	220286		●	●	●																									
0028	GAS VALVE CASING (EUROSIT)	220287		●	●	●																									
0029	RUBBER GASKET	290128		●	●	●																									
0030	DRAIN COCK	230302		●	●	●																									
0031	PLUG	230511		●	●	●																							10/03		
	PLUG	230536		●	●	●																							11/03		
0032	BOSS	220550		●	●	●																									
0033	ADHESIVE CHANNEL (THERMAL PROTECTOR)	65103128		●																									07/00		
	ADHESIVE CHANNEL (THERMAL PROTECTOR)	65103132			●	●																							07/00		
0036	SHEATH	123037		●	●	●																							10/03		
	SHEATH	123516		●	●	●																							11/03		
0037	WATER TRAY	290919		●	●	●																									
0039	SPRING (FLUE BAFFLE SUPPORT)	290450		●	●	●																									
0040	EXTENSION (FLUE BAFFLE - L=250MM)	290192		●	●	●																									
0043	O-RING	289442		●	●	●																							11/03		
0047	PIPE (CYLINDER DISCHARGE)	65102376		●	●	●																									
0048	FUME THERMOSTAT PROTECTION	220374		●	●	●																							07/00		
0600	JIG PLATE & PIPE FITTING																														
0601	PIPE FITTINGS KIT	990073		●	●	●																									

LIST OF THE ABBREVIATIONS

HW	: Hot water.
CW	: Cold water.
C	: Ceramic resistance (normal heating).
Ca	: Ceramic resistance (accelerated heating)
TP	: Immersion heater.
1F	: With fittings.
2F	: Without fittings.
3F	: With fittings and another outlet connection.
AMI	: With mixing valve.
SMI	: Without mixing valve.
PUISS	: Power of th appliance.
PN	: Appliance with normal pression.
LP	: Appliance with low pression.
PV	: Appliance with variable power.
PF	: Appliance with fixed power.

IDENTIFICATION PLATE

SERIAL NUMBER

6 Characters :
 Year of manufacture _____ 03 09 08 _____ Manufacturing day
 _____ Month of manufacture

9 Characters :
 Year of manufacture _____ 5 9 12 0606 _____ Sequential number
 _____ Month of manufacture

14 Characters :
 SI-V-0B0 45 07 0001 _____
 _____ Sequential number
 _____ Year of manufacture : _____ 6 → 2004
 _____ Month of manufacture : → 25 → January 43 → July 7 → 2005
 13 → February 29 → August 8 → 2006
 32 → March 40 → September etc ...
 35 → April 38 → October
 39 → May 51 → November
 45 → June 12 → December

15 Characters :
 Year of manufacture _____ 02 11 00001 007843 _____ Code appareil
 _____ Month of manufacture _____ Sequential number

21 Characters :
 Product reference _____ 3200050 XX 08115 0000001 _____ Sequential number
 _____ Year (08) / Manufacturing day (115)

22 Characters :
 Product reference _____ 3200050 XX 070115 0000001 _____ Sequential number
 _____ Year (07) / Month (01) / Manufacturing day (15)