



SPARE PARTS EXPLODED VIEW STORAGE ELECTRIC WATER HEATERS

Model

150 - 200 TMI

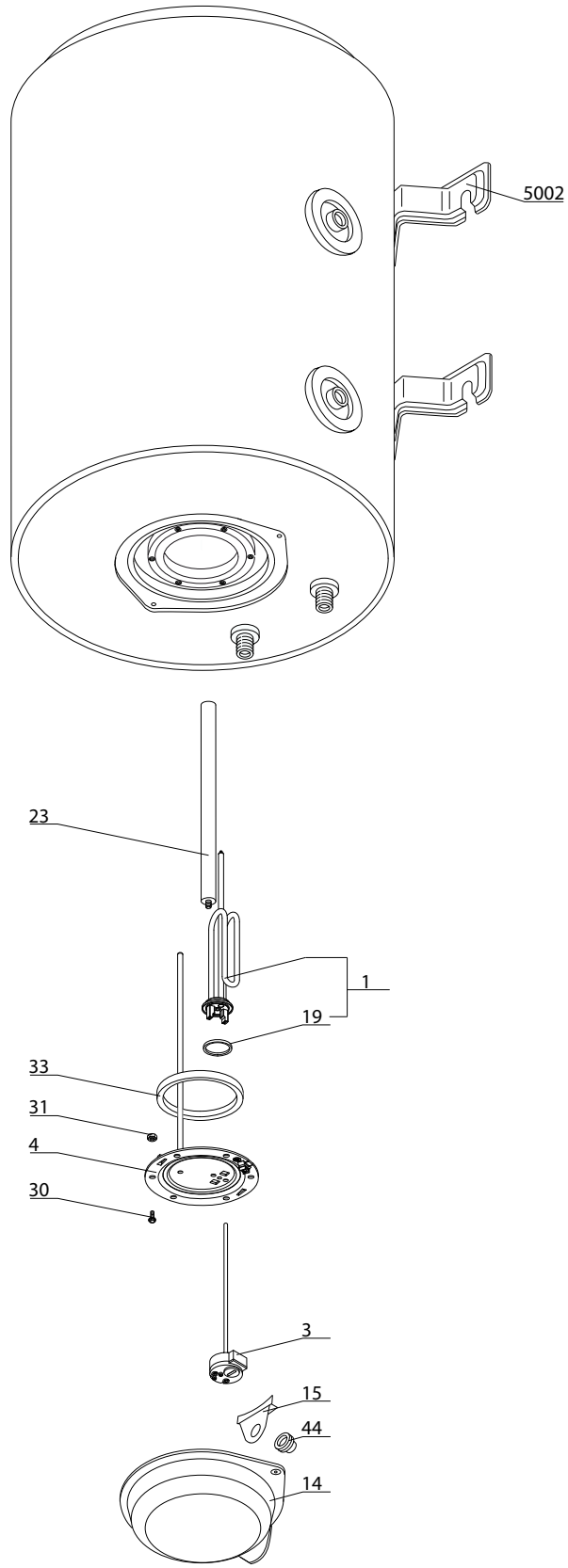
R8203189-03 - 18/06/2013

150 - 200 TMI

Storage Electric Water Heaters

1	892350	FL 150 TMI	02-1999	05-2009
1	3070153	FLE 150 VERT 560 TMI_ MO	03-2009	07-2010
2	892351	FL 200 TMI	02-1999	05-2009
2	3070166	FLE 200 VERT 560 TMI_ MO	02-2009	07-2010

Col	Reference	Model type	Begin	End
-----	-----------	------------	-------	-----



LIST OF THE ABBREVIATIONS

HW	: Hot water.
CW	: Cold water.
C	: Ceramic resistance (normal heating).
Ca	: Ceramic resistance (accelerated heating)
TP	: Immersion heater.
1F	: With fittings.
2F	: Without fittings.
3F	: With fittings and another outlet connection.
AMI	: With mixing valve.
SMI	: Without mixing valve.
PUISS	: Power of th appliance.
PN	: Appliance with normal pression.
LP	: Appliance with low pression.
PV	: Appliance with variable power.
PF	: Appliance with fixed power.

IDENTIFICATION PLATE

SERIAL NUMBER

9 Characters : 07 91 00301 (from 01/77 to 12/92)

Month of manufacture _____ Sequential number
Year of manufacture _____

10 Characters : 95 01 065004 (from 01/93 to 06/95)

Year of manufacture _____ Sequential number
Month of manufacture _____

OU

10 Characters : 01 95 065004 (from 07/95)

Month of manufacture _____ Sequential number
Year of manufacture _____

12 Characters : 924 2 3 134 0115

Product reference _____ Sequential number
Year of manufacture _____ Manufacturing day

15 ou 16 Characters : (0)03 070 0001 893077 (from 01/97 to 01/05)

Year of manufacture _____ Product reference
Day of manufacture _____ Sequential number

OU

16 Characters : 05 070 0001 0000000 (from 02/05)

Year of manufacture _____ Product reference
Day of manufacture _____ Sequential number

17 Characters : 07 070 00315 3070107

Year of manufacture _____ Product reference
Sequential number
Manufacturing day (70)

21 Characters : 3000115 XX 08115 0000001

Product reference _____ Sequential number
Year (08) / Manufacturing day (115)

22 Characters : 3000115 XX 070416 0000001

Product reference _____ Sequential number
Year (07) / Month (04) / Manufacturing day (16)