



# SPARE PARTS EXPLODED VIEW STORAGE ELECTRIC WATER HEATERS

Model

**STABLE - 07/2007** → ...

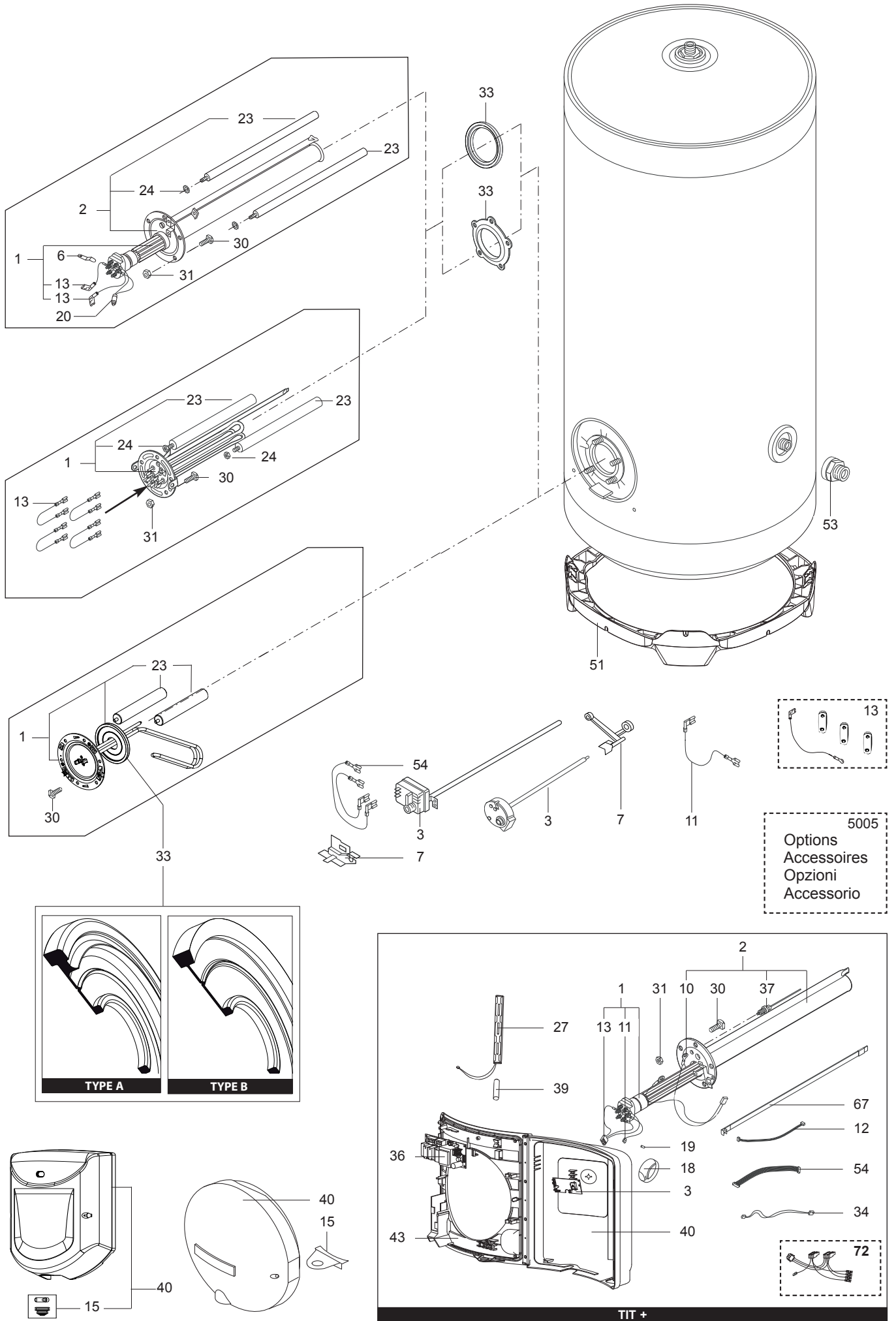
R8203138-11 - 17/09/2018

STABLE - 07/2007 → ...

Storage Electric Water Heaters

1	3010246	FLE 200 STAB 560 STEA MT	07-2007	01-2014
2	3010247	FLE 250 STAB 560 STEA MT	07-2007	01-2014
3	3010117	FLE 300 STAB 560 STEA MT	07-2007	05-2012
4	3010248	FLE 200 STAB 560 TIT+ MT	06-2007	07-2014
5	3010249	FLE 250 STAB 560 TIT+ MT	06-2007	07-2014
6	3010125	FLE 300 STAB 560 TIT+ MT	06-2007	07-2014
7	3010240	FLE 200 STAB 560 THER MT	07-2007	11-2015
8	3010106	FLE 250 STAB 560 THER MT	07-2007	10-2015
9	3010107	FLE 300 STAB 560 THER MT	07-2007	11-2015
10	3070434	FLE 300 STAB 560 STEA MO EU	09-2015	11-2017
10	3010847	FLE 300 STAB 570 STEA MO EU	06-2016	-
11	3000478	FLE 200 STAB 560 THER MO EU	09-2015	02-2018
11	3010848	FLE 200 STAB 570 THER MO EU	06-2016	-
12	3000457	FLE 250 STAB 560 THER MO EU	09-2015	02-2018
12	3010849	FLE 250 STAB 570 THER MO EU	06-2016	-
13	3000458	FLE 300 STAB 560 THER MO EU	09-2015	12-2016
13	000003060513	300 STAB 560 THER MO-A EU	12-2015	02-2017
13	3010851	FLE 300 STAB 570 THER MO EU	06-2016	-
14	3000494	FLE 300 STAB 560 THER TM EU	09-2015	02-2018
14	3010850	FLE 300 STAB 570 THER TM EU	06-2016	-

Col	Reference	Model type	Begin	End
-----	-----------	------------	-------	-----



☉⇒	Description	Manf. Pt N	Type	<div style="display: flex; justify-content: space-between; font-size: small;"> <span>200 L STEA</span><span>250 L STEA</span><span>300 L STEA</span><span>200 L TIT +</span><span>250 L TIT +</span><span>300 L TIT +</span><span>250 L THER</span><span>300 L THER</span><span>300 L STEA EU</span><span>250 L THER EU</span><span>300 L THER EU</span><span>300 L THER MO - EU</span><span>300 L THER TM - EU</span> </div>																		From	to
				1	2	3	4	5	6	7	8	9	10	11	12	13	14	15	16	17	18		
0001	CERAMIC RESISTANCE 3000W 230V/380V	396010-01		•	•	•														08/13			
	CERAMIC RESISTANCE 3000W 230V/380V	396010-01					•	•	•														
	CERAMIC RESISTANCE 3000W 230V/380V	60003127		•	•	•														09/13			
	HEATING ELEMENT 3000W 230V	60002701									•	•	•	•									
	HEATING ELEMENT 3000W 230V	60002709														•							
	HEATING ELEMENT 3000W 380V	992163								•	•	•											
0002	FLANGE EMBASE Ø 105 STEA STAB	60002696									•												
	FLANGE WITH ANODE	396037		•	•	•														03/12			
	FLANGE WITH ANODE	60001842		•	•	•														04/12			
	FLANGE WITH ANODE	60002197		•	•	•														09/13			
	FLANGE WITH ANODE (PROTECH)	60000440					•	•	•														
0003	PRINTED CIRCUIT BOARD OF REGU.	60000773					•	•	•														
	THERMOSTAT	992162		•	•	•														03/12			
	THERMOSTAT	992162								•	•	•											
	THERMOSTAT (TBS PLUS 300 16A)	65101286										•	•	•									
	THERMOSTAT L:450	60001544									•												
	THERMOSTAT L:450	60001841		•	•	•														04/12			
	THERMOSTAT L:450	60002577														•							
0006	FIXING BRACKET	60072531		•	•	•					•									04/12			
0007	PLASTIC SEPARATOR	926084		•	•	•														03/12			
	THERMOSTAT SUPPORT	60001560									•												
0010	CABLE (ELECTRODE)	60000344					•	•	•														
0011	LEAD (BROWN) 2,5X160 (faston-faston)	925025								•	•	•						•					
	RESISTOR CABLE > P.C.B.	60000449					•	•	•														
0012	CABLE THERMISTOR TEMPERATURE SENSOR	60000474					•	•	•														
0013	CABLE (PURPLE) 2,5X100 (faston-faston)	925075								•	•	•						•					
	CABLE (PURPLE)+PLATE CONNECTION	61401781		•	•	•						•											
	LEAD	61401780		•	•	•						•											
	LEAD (BROWN)	61401779		•	•	•						•											
	RESISTOR CABLE > P.C.B.	60000450					•	•	•														
0015	WIRE PIN BRACKET	60002702									•	•	•	•	•								
	WIRE PIN BRACKET	926124		•	•	•				•	•	•											
0018	CONTROL KNOB	60000441					•	•	•														
0019	LED (L=14.2)	998577					•	•	•														
0020	PILOT LIGHT	60000802									•												
0023	ANODE D:21,3 L:430 M5-M8	61402252-01		•	•	•														03/12			
	ANODE D:21,3 L:430 M5-M8	61402252-01									•							•					
	ANODE D:25.5 L:440 M8	60000797								•	•	•											
	ANODE D:25.5 L:440 M8	60000797		•	•	•														09/13			
	ANODE D:32,8 L:287 M8	61005400											•	•	•								
	ANODE D:33 L:350 M8	61314319		•	•	•														04/12			
0024	ANODE GASKET	61402251									•							•		08/13			
0027	BATTERY HOLDER	60000514					•	•	•														
0030	SCREW M8X14 (6 PCES)	60000681		•	•	•						•	•	•	•	•				04/12			
	SCREW M8X20	918064		•	•	•														03/12			
	SCREW M8X20	918064					•	•	•	•	•												
0031	NUT M8	918004		•	•	•														03/12			
	NUT M8	918004					•	•	•	•	•												
0033	FLANGE GASKET Ø105	60002699	TYPE A										•	•	•								
	FLANGE GASKET D121,7X105X11,5	60000682		•	•	•														04/12			
	FLANGE GASKET WITH 5 HOLES	924001		•	•	•														03/12			
	FLANGE GASKET WITH 5 HOLES	924001					•	•	•	•	•												
	FLANGE GASKET Ø 105	60000687	TYPE B															•					
	FLANGE GASKET Ø 105 - 6 HOLES	60002697-01										•						•					
0034	CABLE (ELECTRODE) > P.C.B.	60000475					•	•	•														
0036	PRINTED CIRCUIT BOARD	60000442					•	•	•														
0037	ANODE (PROTECH)	340406					•	•	•														
0039	BATTERY AA	60000443					•	•	•														
0040	BOX COVER	60000512					•	•	•														
	COVER	60002693		•	•	•				•	•	•											
	PLASTIC COVER	60002703										•	•	•	•	•							
0043	BASE - BOX	60000513					•	•	•														
0051	SUPPORT D:505-560	60000803		•	•	•	•	•	•	•	•	•	•	•	•	•							
	SUPPORT D:570	60002411					•	•	•	•	•	•	•	•	•	•							
0053	DIELECTRIC JOINT 3/4Z	926195		•	•	•	•	•	•			•											
0054	INTERCONNECTION CABLE	60000504					•	•	•														
	LEAD (BROWN) 2,5X160 (faston-faston)	925025								•	•	•											
0067	THERMISTOR TEMP. SENSOR	60000446					•	•	•														
0072	WIRE ASSEMBLY	60000503					•	•	•											11/09			
	WIRE ASSEMBLY	60001501					•	•	•											12/09			
<b>5000</b>	<b>ACCESSORIES</b>																						
5005	KIT INSULATING JACKET M50	60002846	D:570								•			•	•								

STABLE - 07/2007 --> ...

Storage Electric Water Heaters

