



SPARE PARTS EXPLODED VIEW
STORAGE ELECTRIC WATER HEATERS

Model

STABLE - ... → 06/2007

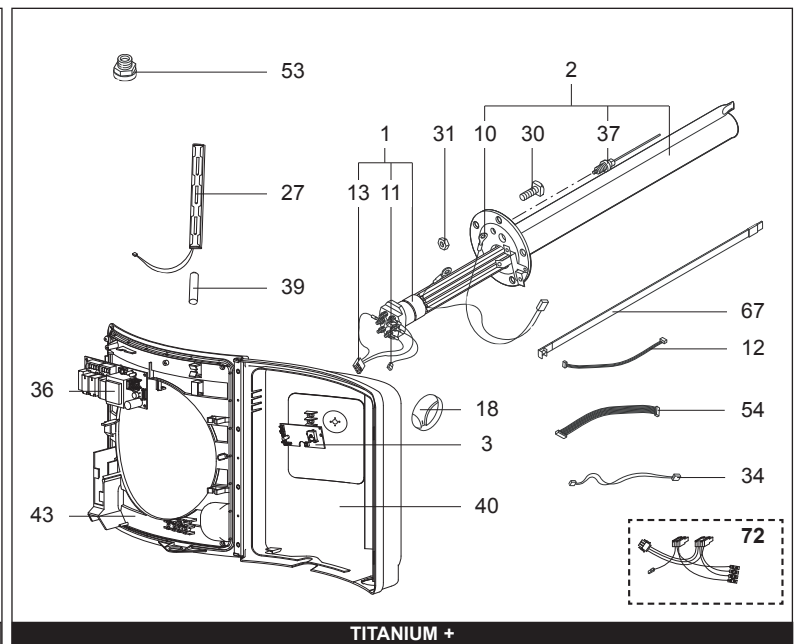
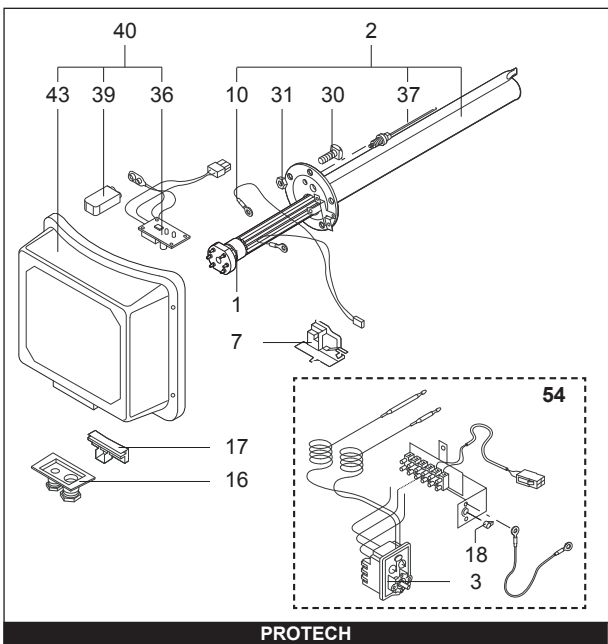
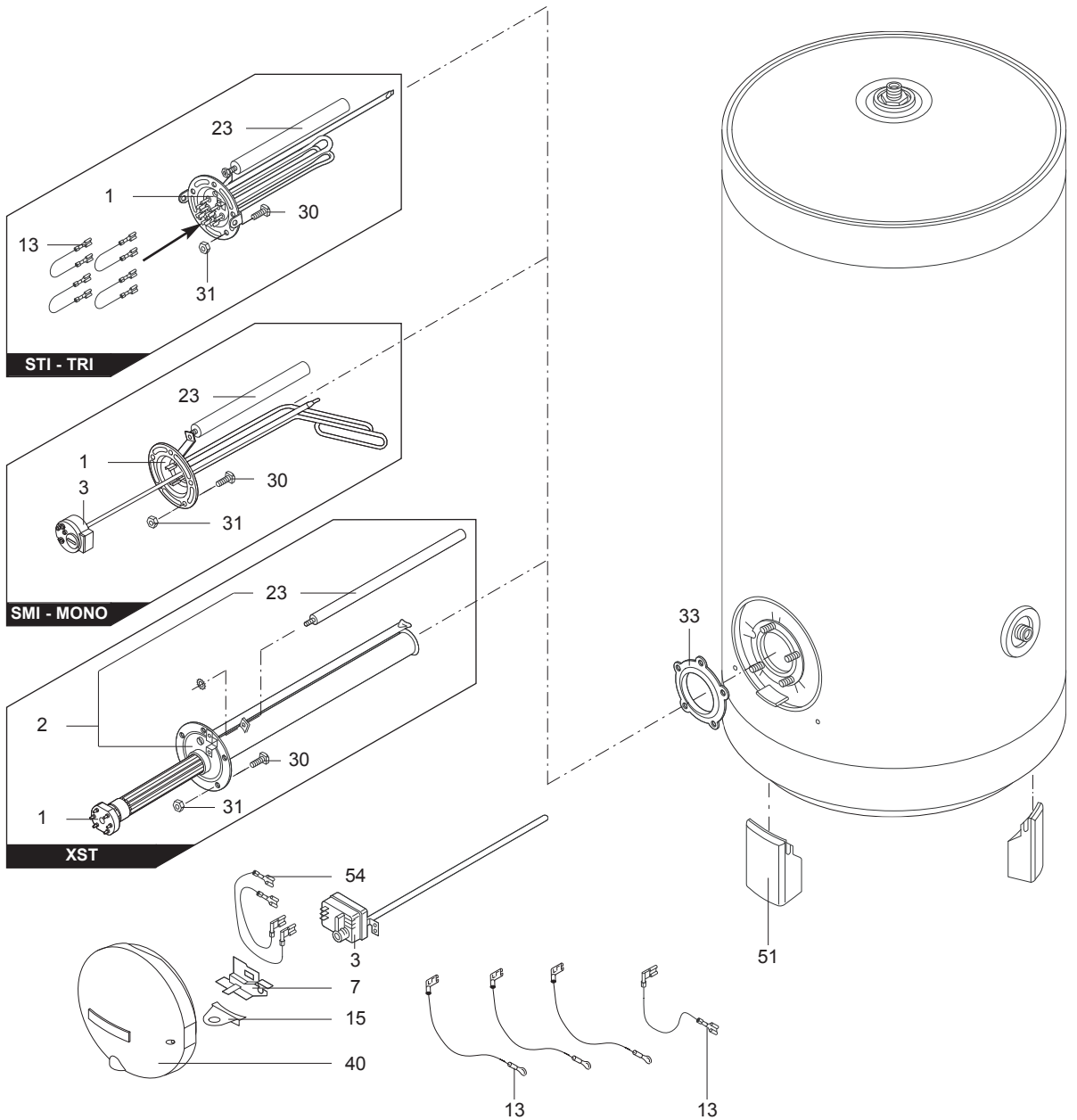
R8202825-06 - 19/04/2012

STABLE - ... → 06/2007

Storage Electric Water Heaters

1	892216	FL 200 XST	02-1999	06-2007
2	892217	FL 250 XST	02-1999	06-2007
3	892218	FL 300 XST	02-1999	06-2007
3	3010044	FLECK 300 XSM	10-2005	06-2007
4	892234	FL 200 PROTECH ST	02-1999	06-2007
5	892235	FL 300 PROTECH ST	02-1999	06-2007
6	3010075	200 XST TITANIUM + FLECK	10-2006	06-2007
7	3010076	300 XST TITANIUM + FLECK	08-2006	06-2007
8	892898	F 200 SMI	12-2005	06-2007
8	892201	FL 200 STI	02-1999	06-2007
9	892899	F 250 SMI	12-2005	06-2007
9	892202	FL 250 STI	02-1999	06-2007
10	892900	F 300 SMI	09-2003	06-2007
10	892203	FL 300 STI	02-1999	06-2007

Col	Reference	Model type	Begin	End
-----	-----------	------------	-------	-----



☉⇒	Description	Manf. Pt. N	Type	<div style="display: flex; justify-content: space-between; font-size: small;"> 200 L XST250 L XST300 L XST200 L PROTECH-ST300 L PROTECH-ST200 L XST TITANIUM +250 L XST TITANIUM +300 L SMI & STI300 L SMI & STI </div>																		31
				1	2	3	4	5	6	7	8	9	10	11	12	13	14	15	16	17	18	
0001	HEATING ELEMENT (3000W)	396010-01		•	•	•			•	•												
	HEATING ELEMENT (3000W)	396010-01						•	•										01/05			
	HEATING ELEMENT 3000W	396162						•	•										01/03			
	HEATING ELEMENT (3000W)	992108						•	•										02/03			
	IMMERSION HEATER 3000W	65101285	MONO								•	•	•						12/04			
	IMMERSION HEATER 3000W	992163	TRI								•	•	•									
0002	FLANGE WITH ANODE	396037		•	•	•																
	FLANGE + ANODE (PROTECH)	396160					•	•														
	FLANGE WITH ANODE (PROTECH)	60000440							•	•												
0003	PRINTED CIRCUIT BOARD OF REGU.	60000773							•	•												
	BULB THERMOSTAT	992086						•	•										12/04			
	THERMOSTAT D:6 L:450	992162		•	•	•																
	THERMOSTAT D:6 L:450	992162					•	•											01/05			
	THERMOSTAT (TBS PLUS 300 16A)	65101286	MONO								•	•	•									
	THERMOSTAT D:6 L:450	992162	TRI								•	•	•									
0007	PLASTIC SEPARATOR	926084		•	•	•																
	PLASTIC SEPARATOR	926324					•	•														
0010	CABLE (ELECTRODE - L=300MM)	340410					•	•														
	CABLE (ELECTRODE)	60000344							•	•												
0011	RESISTOR CABLE > P.C.B.	60000449							•	•												
	CABLE KIT (160 FAST. F)	992143	TRI								•	•	•									
0012	CABLE THERMISTOR TEMPERATURE SENSOR	60000474							•	•												
0013	RESISTOR CABLE > P.C.B.	60000450							•	•												
	LEAD (BROWN)	61401779		•	•	•	•	•											02/05			
	LEAD (GREEN)	61401780		•	•	•	•	•											02/05			
	LEAD (PURPLE) + COPPER PLATE	61401781		•	•	•	•	•											02/05			
	CABLE (PURPLE) 2,5X100 (faston-faston)	925075	TRI								•	•	•									
0015	WIRE PIN BRACKET	926124		•	•	•					•	•	•									
0016	WIRE PIN BRACKET	926071					•	•														
0017	SUPPORT	926303					•	•														
0018	CAP (REGULATION)	570029					•	•														
	CONTROL KNOB	60000441							•	•												
0023	ANODE D:21,3 L:430 M5-M8	61402252-01		•	•	•																
	ANODE D:25,5 L:230 M5-M8	993014-01	MONO								•	•	•									
	ANODE D:21,3 L:390 M5-M8	993312-01	TRI								•	•	•									
0027	BATTERY HOLDER	60000514							•	•												
0030	SCREW M8X20	918064		•	•	•	•	•	•	•	•	•	•	•	•	•	•	•	•			
0031	NUT (M8)	918004		•	•	•	•	•	•	•	•	•	•	•	•	•	•	•	•			
0033	FLANGE GASKET 5 HOLES	924001		•	•	•	•	•	•	•	•	•	•	•	•	•	•	•	•			
0034	CABLE (ELECTRODE) > P.C.B.	60000475							•	•												
0036	PRINTED CIRCUIT BOARD	60000442							•	•												
	PRINTED CIRCUIT BOARD	60000795					•	•											01/03			
	P.C.B. (PROTECH ANODE)	65101404					•	•											02/03			
0037	ANODE (PROTECH)	340406					•	•	•	•												
0039	BATTERY AA	60000443							•	•												
	BATTERY (9V-150 MAH)	925298					•	•											02/03			
	BATTERIE 9V+VELCRO PROTECH	935327					•	•											01/03			
0040	BOX COVER	60000512							•	•												
	PLASTIC COVER (COMPLETE)	65101328					•	•														
	COVER	926166		•	•	•					•	•	•									
0043	BASE - BOX	60000513							•	•												
	PLASTIC COVER	926301					•	•														
0051	FOOT (100 MM)	926136		•	•	•	•	•	•	•	•	•	•	•	•	•	•	•	•			
0053	DIELECTRIC JOINT 3/4"	926195							•	•												
0054	INTERCONNECTION CABLE	60000504							•	•												
	THERMOSTAT+WIRING	65101329					•	•											02/03			
	THERMOSTAT+WIRING	65102735					•	•											12/04			
	THERMOSTAT+WIRING	925324					•	•											01/05			
	LEAD (BROWN) 2,5X160 (faston-faston)	925025	TRI								•	•	•						01/03			
0067	THERMISTOR TEMP. SENSOR	60000446							•	•												
0072	WIRE ASSEMBLY	60000503							•	•									11/09			
	WIRE ASSEMBLY	60001501							•	•									12/09			

LIST OF THE ABBREVIATIONS

HW	: Hot water.
CW	: Cold water.
C	: Ceramic resistance (normal heating).
Ca	: Ceramic resistance (accelerated heating)
TP	: Immersion heater.
1F	: With fittings.
2F	: Without fittings.
3F	: With fittings and another outlet connection.
AMI	: With mixing valve.
SMI	: Without mixing valve.
PUISS	: Power of th appliance.
PN	: Appliance with normal pression.
LP	: Appliance with low pression.
PV	: Appliance with variable power.
PF	: Appliance with fixed power.

IDENTIFICATION PLATE

SERIAL NUMBER

9 Characters : 07 91 00301 (from 01/77 to 12/92)

Month of manufacture _____ Sequential number
Year of manufacture _____

10 Characters : 95 01 065004 (from 01/93 to 06/95)

Year of manufacture _____ Sequential number
Month of manufacture _____

OU

10 Characters : 01 95 065004 (from 07/95)

Month of manufacture _____ Sequential number
Year of manufacture _____

12 Characters : 924 2 3 134 0115

Product reference _____ Sequential number
Year of manufacture _____ Manufacturing day

15 ou 16 Characters : (0)03 070 0001 893077 (from 01/97 to 01/05)

Year of manufacture _____ Product reference
Day of manufacture _____ Sequential number

OU

16 Characters : 05 070 0001 0000000 (from 02/05)

Year of manufacture _____ Product reference
Day of manufacture _____ Sequential number

17 Characters : 07 070 00315 3070107

Year of manufacture _____ Product reference
Sequential number
Manufacturing day (70)

21 Characters : 3000115 XX 08115 0000001

Product reference _____ Sequential number
Year (08) / Manufacturing day (115)

22 Characters : 3000115 XX 070416 0000001

Product reference _____ Sequential number
Year (07) / Month (04) / Manufacturing day (16)

The indications mentioned on the prices, commercial or technical literature and the scheme are written for your guidance and are available at a given time. The CONSTRUCTOR retains the power to modify the presentation, the form, the size, the conception or the material of the products.