

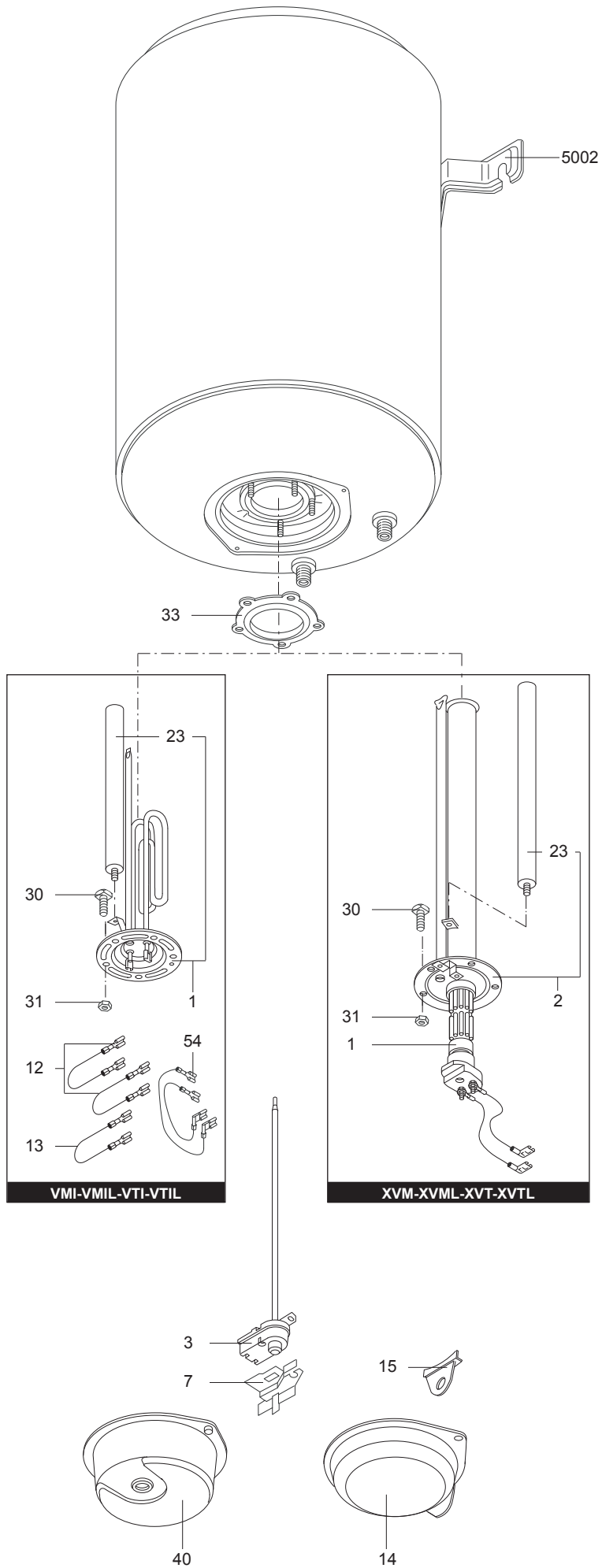


SPARE PARTS EXPLODED VIEW  
STORAGE ELECTRIC WATER HEATERS  
Model  
**VERTICAL - CER & TP - ... --> 03/2007**

R8202834-11 - 11/04/2012

1	892 212	F 50 XVM	...	03/07
2	892 213	F 75 XVM	...	04/06
2	892 343	FL 75 XVML	...	03/07
3	892 829	F LES 100	...	03/07
3	892 344	FL 100 XVML	...	03/07
4	892 828	F LES 150	...	03/07
4	892 345	FL 150 XVML	...	03/07
4	892 347	FL 150 XVTL	...	03/07
5	892 827	F LES 200	...	03/07
5	892 346	FL 200 XVML	...	03/07
5	892 348	FL 200 XVTL	...	03/07
6	892 197	FL 50 VMI	...	05/07
7	892 198	FL 75 VMI	...	01/06
7	892 333	F 75 VMIL	...	05/07
8	892 354	FL 100 VMI	...	03/07
8	892 334	F 100 VMIL	...	05/07
9	892 355	FL 150 VMI	...	03/07
9	892 335	F 150 VMIL	...	05/07
9	892 341	F 150 VTIL	...	03/07
10	892 356	FL 200 VMI	...	03/07
10	892 336	F 200 VMIL	...	05/07
10	892 342	F 200 VTIL	...	03/07

Col	Reference	Model type	Begin	End
-----	-----------	------------	-------	-----



☺	Description	Manf. Pt. N	Type	50 L - XVM 75 L - XVM - XVMML 100 L - XVM - XVMML 150 L - XVM - XVMML 200 L - XVM - XVMML - XVTL 50 L - VMI 75 L - VMI 100 L - VMI - VMML 150 L - VMI - VMML 200 L - VMI - VMML - VTIL																		31		
				1	2	3	4	5	6	7	8	9	10	11	12	13	14	15	16	17	18			
0001	HEATING ELEMENT 2000W	396004-01					•	•																12/97
	HEATING ELEMENT 2000W	396004-01					•	•																02/05
	CERAMIC RESISTANCE 1200W	396144-01		•	•	•																		01/98
	CERAMIC RESISTANCE 1200W	60001054-01		•	•	•																		12/97
	IMMERSION HEATER 1500W	816095							•	•	•													
	HEATING ELEMENT 2400W	65102531	TRI					•	•															
	HEATING ELEMENT 2000W	396117-01	MONO					•	•															01/98
	IMMERSION HEATER 2500W	60000647	MONO																			•	•	12/06
	IMMERSION HEATER 2500W	816098	MONO																			•	•	11/06
	IMMERSION HEATER 2500W	816521	TRI																			•	•	
0002	FLANGE WITH ANODE	396119		•	•	•																		01/98
	FLANGE WITH ANODE	396037	MONO	•	•	•	•	•																12/97
	FLANGE WITH ANODE	396037	MONO					•																02/05
	FLANGE WITH ANODE	396120	MONO					•																01/98
	FLANGE WITH ANODE	396174	MONO					•																01/98
	FLANGE WITH ANODE	65102747	MONO					•																01/05
	FLANGE WITH ANODE	396037	TRI						•															02/05
	FLANGE WITH ANODE	65102747	TRI					•																
0003	THERMOSTAT (TBS 300 65/85)	691219								•	•	•												
	THERMOSTAT L:450	691526		•	•	•																		
	THERMOSTAT (TBS 300 65/85)	691219	MONO																			•	•	12/06
	THERMOSTAT (TBS 450 65/87)	691220	MONO																			•	•	
	THERMOSTAT L:450	691531	MONO					•	•															
	THERMOSTAT (TAS-TFV F75 450)	691588	TRI																			•	•	
	THERMOSTAT (TAS TFS F75 450)	691605	TRI					•	•															
0007	PLASTIC SEPARATOR	926084		•	•	•	•	•																
0012	CABLE 2 (PURPLE) 2,5X100 (fast.-fast.)	925074																						
0013	CABLE (PURPLE) 2,5X100 (faston-faston)	925075																						
0014	COVER	926115		•	•	•	•	•		•	•	•	•	•	•									
0015	WIRE PIN BRACKET	926124		•	•	•	•	•		•	•	•	•	•	•									
0023	ANODE D:21,3 L:430 M5-M8	61402252-01		•	•	•	•																	
	ANODE D:18 L:600 M5-M8	919031-01						•																
	ANODE D:21,3 L:390 M5-M8	993312-01								•	•	•												
	MAGNESIUM ANODE D:25,7 L:380 M8	65102462	MONO																			•	•	
	ANODE D:18 L:600 M5-M8	919031-01	TRI																			•	•	
0030	SCREW (M8X25)	918001		•	•	•	•	•																
	SCREW M8X20	918064		•	•	•	•	•		•	•	•	•	•	•									
0031	NUT (M8)	918004		•	•	•	•	•		•	•	•	•	•	•									
0033	FLANGE GASKET 5 HOLES	924001		•	•	•	•	•		•	•	•	•	•	•									
0040	COVER	926041			•	•	•	•			•	•	•	•	•									
0054	LEAD (BROWM) 2,5X160 (faston-faston)	925025																				•	•	
<b>5000</b>	<b>ACCESSORIES</b>																							
5002	WALL FIXING BRACKET	912006		•	•	•	•	•		•	•	•	•	•	•									

## LIST OF THE ABBREVIATIONS

HW .....	: Hot water.
CW .....	: Cold water.
C .....	: Ceramic resistance (normal heating).
Ca .....	: Ceramic resistance (accelerated heating)
TP .....	: Immersion heater.
1F .....	: With fittings.
2F .....	: Without fittings.
3F .....	: With fittings and another outlet connection.
AMI .....	: With mixing valve.
SMI .....	: Without mixing valve.
PUISS .....	: Power of th appliance.
PN .....	: Appliance with normal pression.
LP .....	: Appliance with low pression.
PV .....	: Appliance with variable power.
PF .....	: Appliance with fixed power.

## IDENTIFICATION PLATE

### SERIAL NUMBER

**9 Characters :** 07 91 00301 (from 01/77 to 12/92)

Month of manufacture \_\_\_\_\_ Sequential number  
 Year of manufacture \_\_\_\_\_

**10 Characters :** 95 01 065004 (from 01/93 to 06/95)

Year of manufacture \_\_\_\_\_ Sequential number  
 Month of manufacture \_\_\_\_\_

**OU**

**10 Characters :** 01 95 065004 (from 07/95)

Month of manufacture \_\_\_\_\_ Sequential number  
 Year of manufacture \_\_\_\_\_

**12 Characters :** 924 2 3 134 0115

Product reference \_\_\_\_\_ Sequential number  
 Year of manufacture \_\_\_\_\_ Manufacturing day

**15 ou 16 Characters :** (0)03 070 0001 893077 (from 01/97 to 01/05)

Year of manufacture \_\_\_\_\_ Product reference  
 Day of manufacture \_\_\_\_\_ Sequential number

**OU**

**16 Characters :** 05 070 0001 0000000 (from 02/05)

Year of manufacture \_\_\_\_\_ Product reference  
 Day of manufacture \_\_\_\_\_ Sequential number

**17 Characters :** 07 070 00315 3070107

Year of manufacture \_\_\_\_\_ Product reference  
 Sequential number  
 Manufacturing day (70)

**21 Characters :** 3000115 XX 08115 0000001

Product reference \_\_\_\_\_ Sequential number  
 Year (08) / Manufacturing day (115)

**22 Characters :** 3000115 XX 070416 0000001

Product reference \_\_\_\_\_ Sequential number  
 Year (07) / Month (04) / Manufacturing day (16)

The indications mentioned on the prices, commercial or technical literature and the scheme are written for your guidance and are available at a given time. The CONSTRUCTOR retains the power to modify the presentation, the form, the size, the conception or the material of the products.