



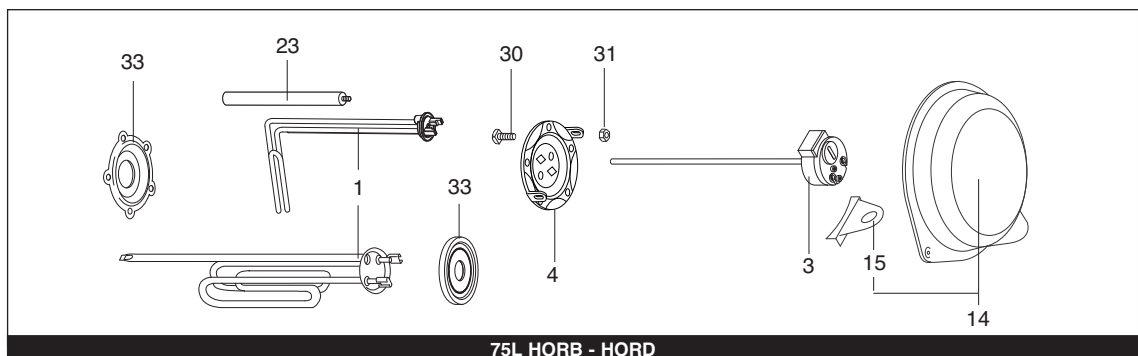
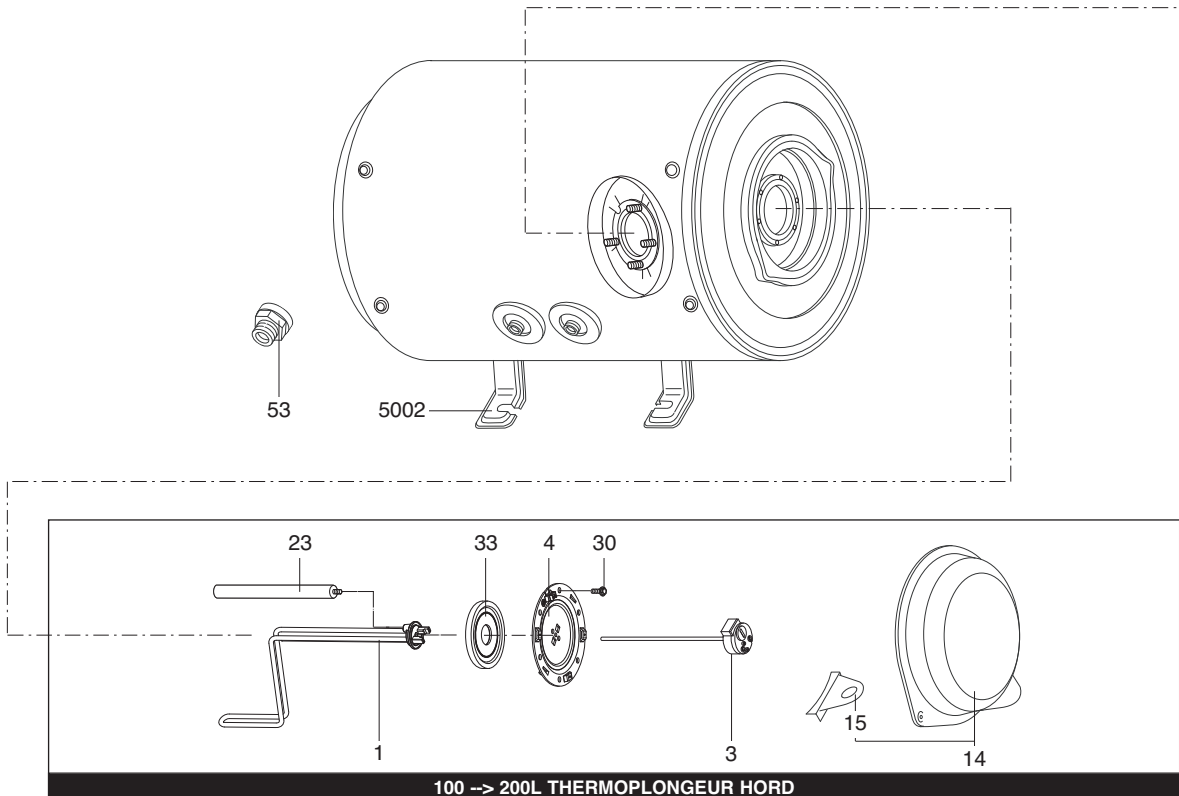
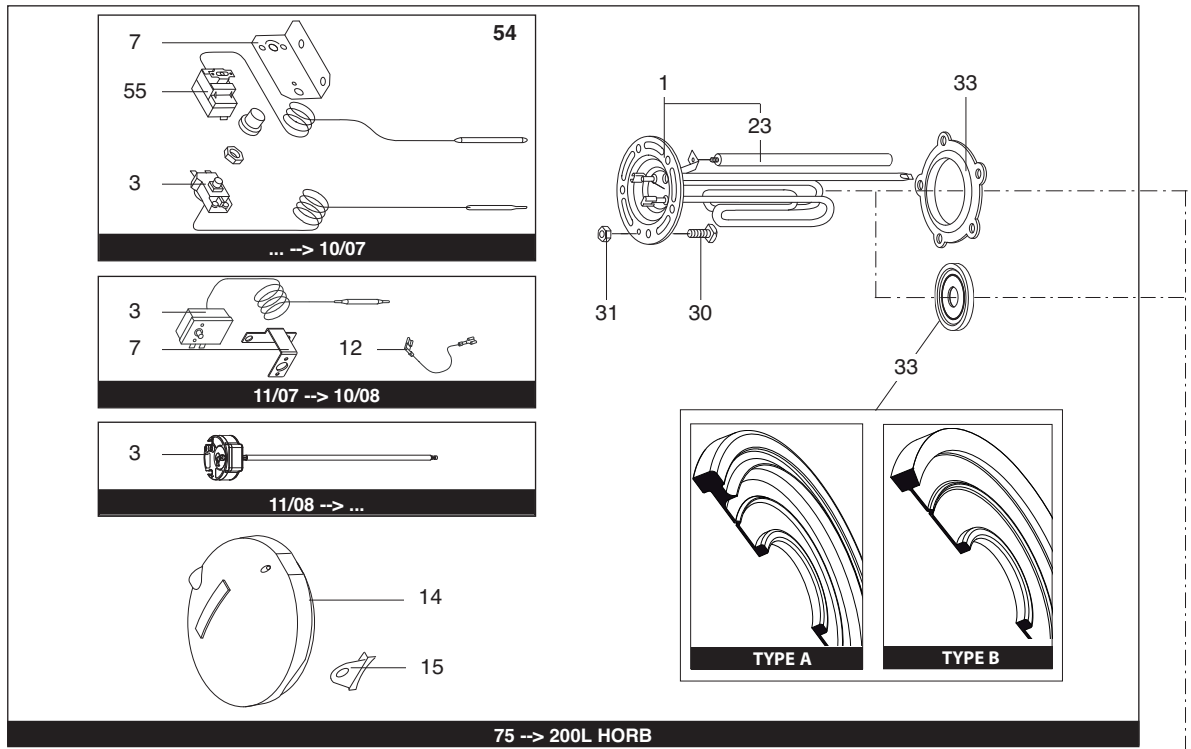
SPARE PARTS EXPLODED VIEW
STORAGE ELECTRIC WATER HEATERS

Model

HORIZONTAL - TP - 04/2007 --> ...

R8203449-05 - 24/09/2020

1	3505057	FLE 075 HORB 505 THER MO	02-2009	05-2013
2	3201082	FLE 075 HORB 505 THER MO EU	09-2015	09-2017
2	3201382	FLE 075 HORB 505 THER MO EU	05-2018	-
3	3201544	ARI 075 HORB 505 THER MO EU	10-2020	-
4	3505058	FLE 075 HORD 505 THER MO	02-2009	05-2013
5	3201083	FLE 075 HORD 505 THER MO EU	09-2015	09-2017
6	3201383	FLE 075 HORD 505 THER MO EU	07-2017	-
7	3010241	FLE 100 HORB 560 THER MO	07-2007	11-2015
8	3000479	FLE 100 HORB 560 THER MO EU	09-2015	-
9	3010109	FLE 100 HORD 505 THER MO	05-2007	11-2015
10	3000459	FLE 100 HORD 505 THER MO EU	09-2015	09-2017
11	3010242	FLE 150 HORB 560 THER MO	07-2007	11-2015
12	3000480	FLE 150 HORB 560 THER MO EU	09-2015	-
13	3010110	FLE 150 HORD 505 THER MO	05-2007	11-2015
14	3000460	FLE 150 HORD 505 THER MO EU	09-2015	09-2017
15	3010243	FLE 200 HORB 560 THER MO	07-2007	11-2015
16	3000481	FLE 200 HORB 560 THER MO EU	09-2015	09-2017
17	3010111	FLE 200 HORD 505 THER MO	05-2007	11-2015
18	3000461	FLE 200 HORD 505 THER MO EU	09-2015	09-2017
Col	Reference	Model type	Begin	End



☉⇒	Description	Manf. Pt. N	Type	<div style="display: flex; justify-content: space-between; font-size: small;"> FILE 075 HORB 505 FILE 075 HORB 505 EU ARI 075 HORB 505 EU FILE 075 HORB 505 EU FILE 075 HORB 505 EU FILE 075 HORB 505 EU FILE 100 HORB 560 FILE 100 HORB 560 EU FILE 100 HORB 560 EU FILE 100 HORB 560 EU FILE 150 HORB 580 FILE 150 HORB 580 EU FILE 150 HORB 580 EU FILE 200 HORB 505 FILE 200 HORB 560 FILE 200 HORB 560 EU FILE 200 HORB 505 EU </div>																		From	to
				1	2	3	4	5	6	7	8	9	10	11	12	13	14	15	16	17	18		
0001	HEATING ELEMENT 2000W 220-240V	65115421																					
	IMMERSION HEATER 1500W	60001265		•	•	•																	
	IMMERSION HEATER 2000W	60000706								•	•			•	•			•	•				
	IMMERSION HEATER 2000W	60001266					•																
	IMMERSION HEATER 2000W	816127								•			•					•			10/08		
	IMMERSION HEATER 2000W + ANODE	60002698								•				•				•					
	IMMERSION HEATER 2000W + ANODE	60003311								•				•				•			11/08		
0003	THERMOSTAT	60000954								•				•				•			11/07		
	THERMOSTAT	921034								•				•				•			10/08		
	THERMOSTAT L:450	60001263								•	•			•	•			•	•		11/08		
	THERMOSTAT TBS2	691214		•	•	•	•	•	•		•	•		•	•			•	•				
0004	FLANGE 5 HOLES	60002193																					
	FLANGE D.75	570407		•	•	•	•	•															
	MATING FLANGE	60000686								•	•			•	•			•	•				
0007	SUPPORT (THERMOSTAT FIRT)	65101064								•				•				•			10/07		
	THERMOSTAT SUPPORT	60000955								•				•				•			11/07		
0012	WIRING 2,5 X 160 (FASTON - FASTON)	925025								•				•				•			11/07		
0014	COVER	60002583																					
	COVER	60002583												•					•		01/17		
	COVER	60002693								•	•			•	•			•	•				
	PLASTIC COVER	60002276												•				•			12/16		
	PLASTIC COVER	60002276		•	•		•	•			•			•				•					
	PLASTIC COVER	65113519				•																	
0015	CABLE BUSHING	65113517				•																	
	CABLE BUSHING	65113517								•	•			•	•			•	•		04/14		
	WIRE PIN BRACKET	60002702								•				•				•					
	WIRE PIN BRACKET	926124												•				•			03/14		
	WIRE PIN BRACKET	926124		•	•		•							•				•					
0023	ANODE D:21,3 L:390 M5-M8	993312-01																					
	ANODE D:25,5 L:230 M5-M8	993014-01		•	•	•	•	•		•	•	•	•	•	•	•	•	•	•				
	ANODE D:25,5 L:440 M8	60000797								•				•				•					
0030	SCREW M6X20	65151225-FA																					
	SCREW M8X14 (6 PCES)	60000681								•	•	•	•	•	•	•	•	•	•				
	SCREW M8X20	918064								•				•				•					
	SCREW M8X20	570316		•	•	•	•	•															
	SCREW M8X25	918001								•				•				•					
0031	LOCK NUT M6	994140																					
	NUT M8	918004								•				•				•					
	NUT M8*14*8	570127		•	•	•	•	•															
0033	FLANGE GASKET	65111788																					
	FLANGE GASKET Ø105	60002699	TYPE A							•				•				•					
	FLANGE GASKET D.75	570393		•	•	•	•	•															
	FLANGE GASKET WITH 5 HOLES	60003308								•				•				•					
	FLANGE GASKET Ø 105	60000687	TYPE B							•	•	•	•	•	•	•	•	•	•				
0054	THERMOSTAT (COMPLETE FIRT-CAEM)	925306								•				•				•			10/07		
0055	THERMOSTAT FIRT (SAFETY)	921036								•				•				•			10/07		
5000	ACCESSORIES																						
5002	WALL FIXING BRACKET D:470-505-560-570	912006		•	•	•	•	•	•	•	•	•	•	•	•	•	•	•	•				

LIST OF THE ABBREVIATIONS

HW	: Hot water.
CW	: Cold water.
C	: Ceramic resistance (normal heating).
Ca	: Ceramic resistance (accelerated heating)
TP	: Immersion heater.
1F	: With fittings.
2F	: Without fittings.
3F	: With fittings and another outlet connection.
AMI	: With mixing valve.
SMI	: Without mixing valve.
PUISS	: Power of th appliance.
PN	: Appliance with normal pression.
LP	: Appliance with low pression.
PV	: Appliance with variable power.
PF	: Appliance with fixed power.

IDENTIFICATION PLATE

SERIAL NUMBER

9 Characters : 07 91 00301 (from 01/77 to 12/92)

Month of manufacture 07 91 Sequential number 00301
Year of manufacture 07 91

10 Characters : 95 01 065004 (from 01/93 to 06/95)

Year of manufacture 95 01 Sequential number 065004
Month of manufacture 95 01

OU

10 Characters : 01 95 065004 (from 07/95)

Month of manufacture 01 95 Sequential number 065004
Year of manufacture 01 95

12 Characters : 924 2 3 134 0115

Product reference 924 2 3 Sequential number 134 0115
Year of manufacture 924 2 3 Manufacturing day 134 0115

15 ou 16 Characters : (0)03 070 0001 893077 (from 01/97 to 01/05)

Year of manufacture (0)03 070 Product reference 893077
Day of manufacture (0)03 070 Sequential number 0001 893077

OU

16 Characters : 05 070 0001 0000000 (from 02/05)

Year of manufacture 05 070 Product reference 0001 0000000
Day of manufacture 05 070 Sequential number 0001 0000000

17 Characters : 07 070 00315 3070107

Year of manufacture 07 070 Product reference 00315 3070107
Sequential number 00315 3070107
Manufacturing day (70) 00315 3070107

21 Characters : 3000115 XX 08115 0000001

Product reference 3000115 XX Sequential number 08115 0000001
Year (08) / Manufacturing day (115) 08115 0000001

22 Characters : 3000115 XX 070416 0000001

Product reference 3000115 XX Sequential number 070416 0000001
Year (07) / Month (04) / Manufacturing day (16) 070416 0000001