



SPARE PARTS EXPLODED VIEW  
STORAGE ELECTRIC WATER HEATERS

Model

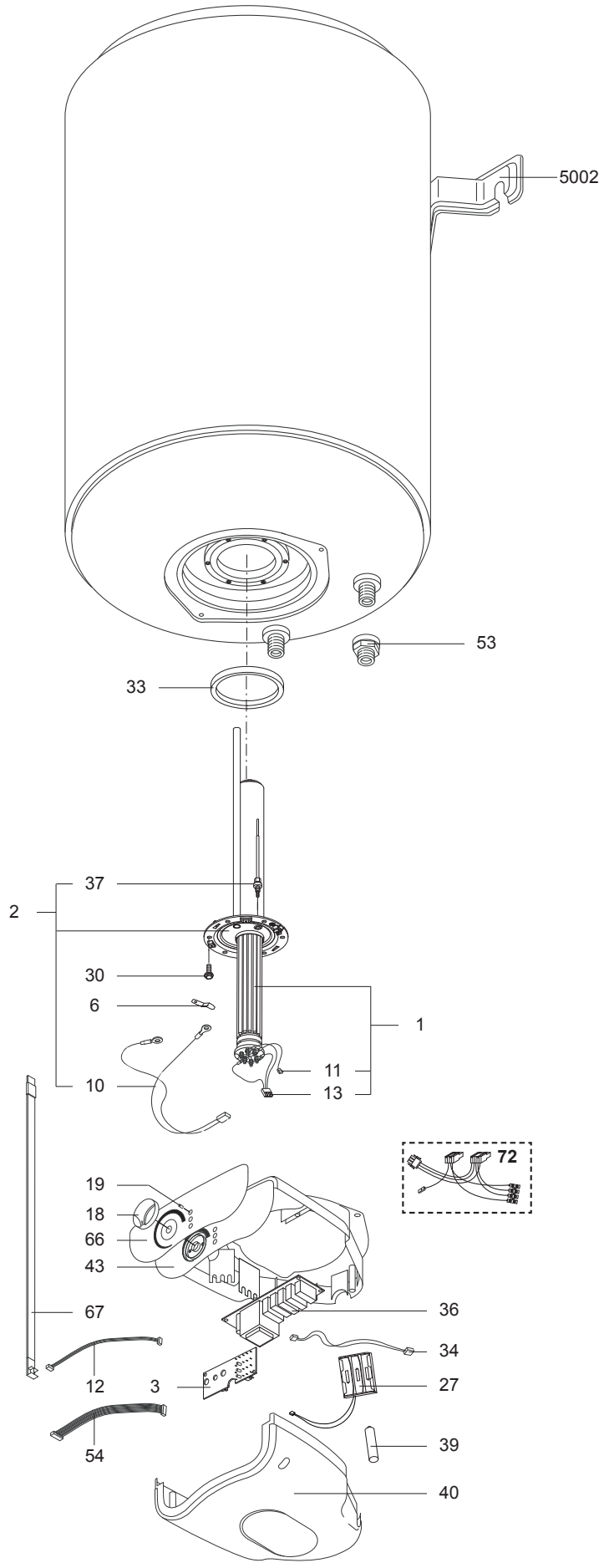
**VERTICAL - TITANIUM+ - 04/2007 → ...**

R8203116-03 - 17/04/2012

VERTICAL - TITANIUM+ - 04/2007 --> ...

Storage Electric Water Heaters

1	3000193	FLE 100 VERT 505 TIT+ MT	04-2007	-
2	3000194	FLE 150 VERT 505 TIT+ MT	04-2007	-
3	3000195	FLE 200 VERT 505 TIT+ MT	04-2007	-
Col	Reference	Model type	Begin	End



☉⇒	Description	Manf. Pt. N	Type	<div style="display: flex; justify-content: space-between; align-items: center;"> <div style="border: 1px solid black; padding: 2px;">100 L</div> <div style="border: 1px solid black; padding: 2px;">150 L</div> <div style="border: 1px solid black; padding: 2px;">200 L</div> </div>																		31
				1	2	3	4	5	6	7	8	9	10	11	12	13	14	15	16	17	18	
0001	CERAMIC RESISTANCE 3000W	60000059-01		•	•	•																
0002	FLANGE WITH ANODE (PROTECH)	60000714		•	•	•																
0003	PRINTED CIRCUIT BOARD OF REGU.	60000773		•	•	•																
0006	FIXING BRACKET	60072531		•	•	•																
0010	CABLE (ELECTRODE)	60000344		•	•	•																
0011	RESISTOR CABLE > P.C.B.	60000449		•	•	•																
0012	CABLE THERMISTOR TEMPERATURE SENSOR	60000451		•	•	•																
0013	RESISTOR CABLE > P.C.B.	60000450		•	•	•																
0018	CONTROL KNOB	60000441		•	•	•																
0019	LED (L=14.2)	998577		•	•	•																
0027	BATTERY HOLDER	60000478		•	•	•																
0030	SCREW M8X14 (6 PCES)	60000681		•	•	•																
0033	FLANGE GASKET D:121.7-105-11.5	60000682		•	•	•																
0034	CABLE (ELECTRODE) > P.C.B.	60000448		•	•	•																
0036	PRINTED CIRCUIT BOARD	60000442		•	•	•																
0037	ANODE (PROTECH)	340406		•	•	•																
0039	BATTERY AA	60000443		•	•	•																
0040	BOX COVER	60000452		•	•	•																
0043	BASE - BOX	60000711		•	•	•																
0053	DIELECTRIC JOINT 3/4"	926195		•	•	•																
0054	INTERCONNECTION CABLE	60000477		•	•	•																
0066	ADHESIVE LABEL	60000453		•	•	•																
0067	THERMISTOR TEMP. SENSOR	60000446		•	•	•																
0072	WIRE ASSEMBLY	60001499		•	•	•													12/09			
	WIRE ASSEMBLY	60000482		•	•	•													11/09			
<b>5000</b>	<b>ACCESSORIES</b>																					
5002	WALL FIXING BRACKET	912006		•	•	•																

## LIST OF THE ABBREVIATIONS

HW .....	: Hot water.
CW .....	: Cold water.
C .....	: Ceramic resistance (normal heating).
Ca .....	: Ceramic resistance (accelerated heating)
TP .....	: Immersion heater.
1F .....	: With fittings.
2F .....	: Without fittings.
3F .....	: With fittings and another outlet connection.
AMI .....	: With mixing valve.
SMI .....	: Without mixing valve.
PUISS .....	: Power of th appliance.
PN .....	: Appliance with normal pression.
LP .....	: Appliance with low pression.
PV .....	: Appliance with variable power.
PF .....	: Appliance with fixed power.

## IDENTIFICATION PLATE

### SERIAL NUMBER

**9 Characters :** 07 91 00301 (from 01/77 to 12/92)

Month of manufacture \_\_\_\_\_ Sequential number  
 Year of manufacture \_\_\_\_\_

**10 Characters :** 95 01 065004 (from 01/93 to 06/95)

Year of manufacture \_\_\_\_\_ Sequential number  
 Month of manufacture \_\_\_\_\_

**OU**

**10 Characters :** 01 95 065004 (from 07/95)

Month of manufacture \_\_\_\_\_ Sequential number  
 Year of manufacture \_\_\_\_\_

**12 Characters :** 924 2 3 134 0115

Product reference \_\_\_\_\_ Sequential number  
 Year of manufacture \_\_\_\_\_ Manufacturing day

**15 ou 16 Characters :** (0)03 070 0001 893077 (from 01/97 to 01/05)

Year of manufacture \_\_\_\_\_ Product reference  
 Day of manufacture \_\_\_\_\_ Sequential number

**OU**

**16 Characters :** 05 070 0001 0000000 (from 02/05)

Year of manufacture \_\_\_\_\_ Product reference  
 Day of manufacture \_\_\_\_\_ Sequential number

**17 Characters :** 07 070 00315 3070107

Year of manufacture \_\_\_\_\_ Product reference  
 Sequential number  
 Manufacturing day (70)

**21 Characters :** 3000115 XX 08115 0000001

Product reference \_\_\_\_\_ Sequential number  
 Year (08) / Manufacturing day (115)

**22 Characters :** 3000115 XX 070416 0000001

Product reference \_\_\_\_\_ Sequential number  
 Year (07) / Month (04) / Manufacturing day (16)

The indications mentioned on the prices, commercial or technical literature and the scheme are written for your guidance and are available at a given time. The CONSTRUCTOR retains the power to modify the presentation, the form, the size, the conception or the material of the products.