



SPARE PARTS EXPLODED VIEW STORAGE ELECTRIC WATER HEATERS

Model

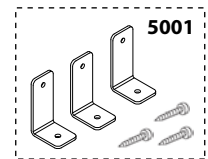
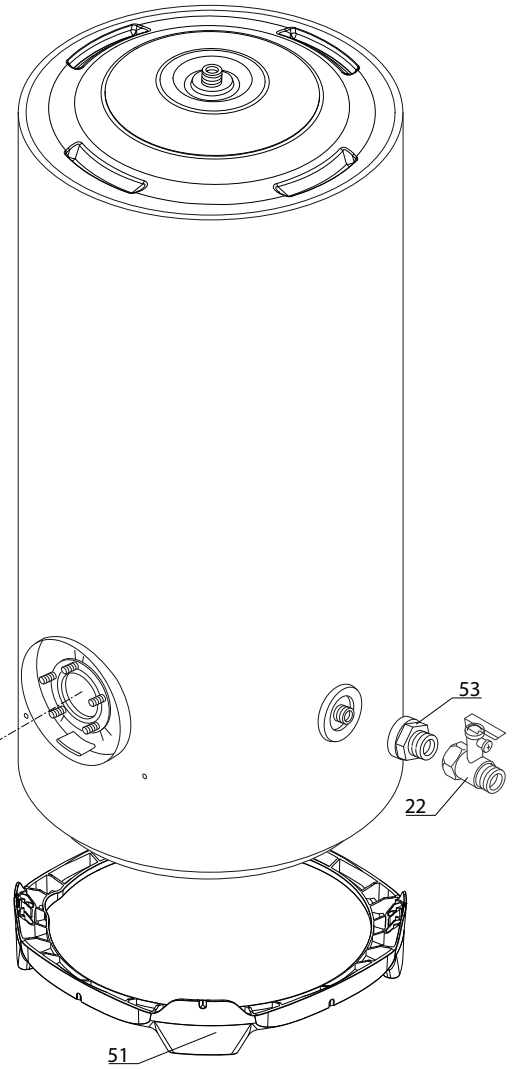
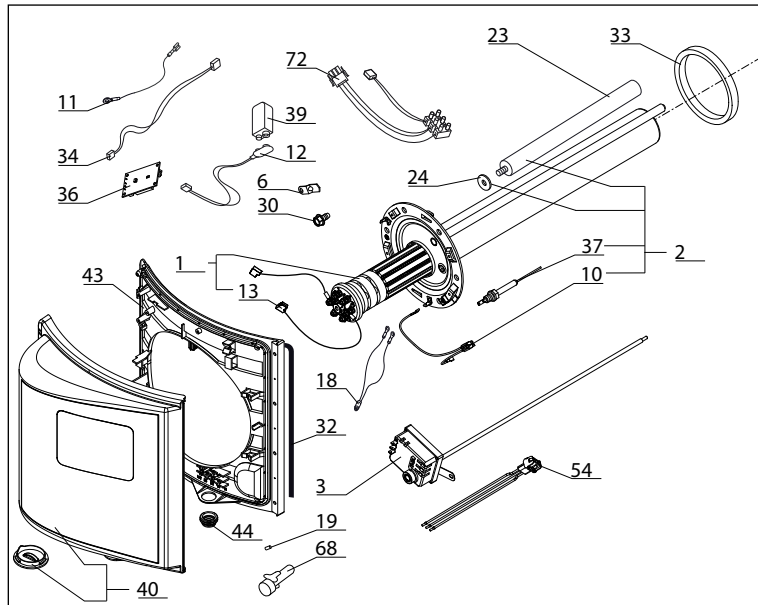
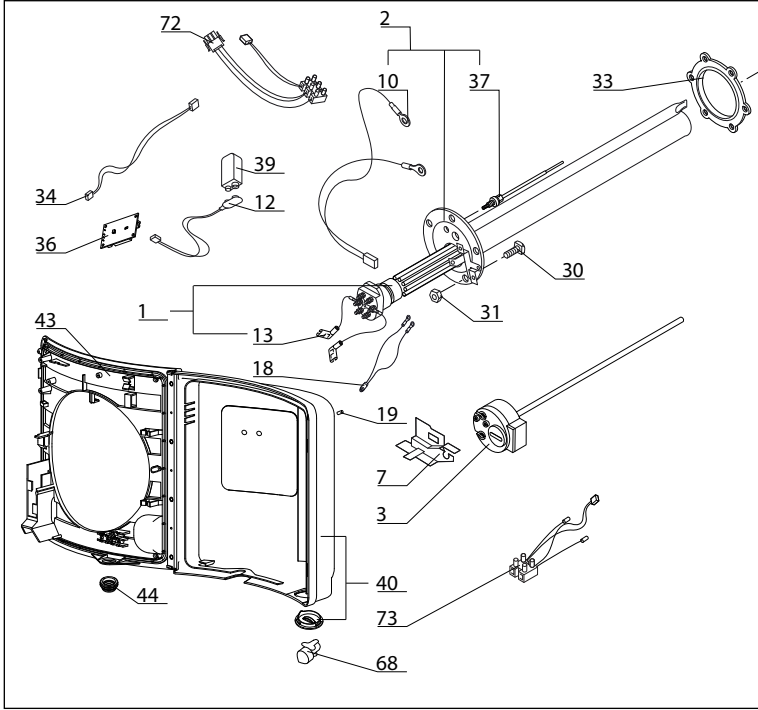
STABLE - HPC

R8203277-10 - 16/01/2019

STABLE - HPC

Storage Electric Water Heaters

1	3010507	CHA 250 STAB 560 HPC MO	01-2010	12-2012
1	3010506	ARI 250 STAB 560 HPC MO	01-2010	12-2012
1	3010508	FLE 250 STAB 560 HPC MO	01-2010	12-2012
1	3010509	LEM 250 STAB 560 HPC MO	01-2010	12-2012
1	3010563	ARI 250 STAB 560 HPC MT	09-2012	08-2014
1	3010565	CHA 250 STAB 560 HPC MT	11-2012	08-2014
1	3010567	FLE 250 STAB 560 HPC MT	09-2012	08-2014
1	3010569	LEM 250 STAB 560 HPC MT	09-2012	08-2014
1	3010587	ARI 250 STAB 570 HPC MT	09-2014	10-2015
1	3010588	CHA 250 STAB 570 HPC MT	09-2014	10-2015
1	3010589	FLE 250 STAB 570 HPC MT	09-2014	11-2015
1	3010590	LEM 250 STAB 570 HPC MT	09-2014	11-2015
2	3010597	ARI 270 STAB 570 HPC MT	09-2014	10-2015
2	3010598	CHA 270 STAB 570 HPC MT	09-2014	10-2015
3	3010503	CHA 300 STAB 505 HPC MO	01-2010	12-2012
3	3010502	ARI 300 STAB 560 HPC MO	01-2010	12-2012
3	3010504	FLE 300 STAB 560 HPC MO	01-2010	12-2012
3	3010505	LEM 300 STAB 560 HPC MO	01-2010	12-2012
3	3010564	ARI 300 STAB 560 HPC MT	09-2012	08-2014
3	3010566	CHA 300 STAB 560 HPC MT	11-2012	08-2014
3	3010568	FLE 300 STAB 560 HPC MT	09-2012	08-2014
3	3010570	LEM 300 STAB 560 HPC MT	09-2012	08-2014
3	3010591	ARI 300 STAB 570 HPC MT	09-2014	11-2015
3	3010592	CHA 300 STAB 570 HPC MT	09-2014	10-2015
3	3010593	FLE 300 STAB 570 HPC MT	09-2014	11-2015
3	3010594	LEM 300 STAB 570 HPC MT	09-2014	11-2015
Col	Reference	Model type	Begin	End



☉⇒	Description	Manf. Pt. N	Type																			From	to
				1	2	3	4	5	6	7	8	9	10	11	12	13	14	15	16	17	18		
0001	CERAMIC RESISTANCE 3000W 230V/380V	396010-01		●	●																		
	CERAMIC RESISTANCE 3000W 230V/380V	60003127		●	●	●														08/14			
0002	FLANGE WITH ANODE (PROTECH)	60000440		●	●																07/14		
	FLANGE WITH ANODE (PROTECH)	60002293		●	●	●														08/14			
0003	THERMOSTAT	992162	TRI	●	●																07/14		
	THERMOSTAT L:450	60001841		●	●	●														08/14			
	THERMOSTAT L:450	60001544	MONO	●	●																07/14		
0006	FIXING BRACKET	60072531		●	●	●														08/14			
0007	PLASTIC SEPARATOR	926324		●	●																		
0010	CABLE (ELECTRODE)	60000344		●	●																07/14		
	CABLE (ELECTRODE) > P.C.B.	60001108-01		●	●	●														08/14			
0011	EARTH WIRE	60002273		●	●	●														08/14			
0012	BATTERY CABLE	60000938		●	●	●																	
0013	CABLE (PURPLE)+PLATE CONNECTION	61401781		●	●	●																	
	LEAD	61401780		●	●	●																	
	LEAD (BROWM)	61401779		●	●	●																	
0018	PILOT LIGHT	60000802		●	●																		
	PILOT LIGHT	60002294		●	●	●														08/14			
0019	LED (L=10.8)	998576		●	●	●														08/14			
	LED (L=14.2)	998577		●	●																07/14		
0023	ANODE D:25,7 L:380 M8	65102462		●	●	●														08/14			
0030	SCREW M8X14 (6 PCES)	60000681		●	●	●														08/14			
	SCREW M8X20	918064		●	●																07/14		
0031	NUT M8	918004		●	●																07/14		
0032	GASKET 9X4 L: 2500	60002136		●	●	●														08/14			
0033	FLANGE GASKET D121,7X105X11,5	60000682		●	●	●														08/14			
	FLANGE GASKET WITH 5 HOLES	924001		●	●																07/14		
0034	CABLE (ELECTRODE) > P.C.B.	60000939		●	●	●																	
0036	PRINTED CIRCUIT BOARD	60000957	TRI	●	●																07/14		
	PRINTED CIRCUIT BOARD (3 mA)	60002295		●	●	●														08/14			
	PRINTED CIRCUIT BOARD (6 mA)	60000384	MONO	●	●																07/14		
0037	ANODE (PROTECH)	340406		●	●																07/14		
	ANODE (PROTECH)	65109749		●	●	●														08/14			
0039	BATTERY (9V-150 MAH)	925298		●	●	●																	
0040	BOX COVER	60000940		●	●	●															07/14		
	BOX COVER	60002296		●	●	●														08/14			
0043	BASE - BOX	60000513		●	●	●																	
0044	RING NUT (CABLE HOLDER)	926044		●	●	●																	
0051	SUPPORT D:505-560	60000803		●	●																		
0053	DIELECTRIC JOINT 3/4Z	926195		●	●																		
0054	THERMOSTAT CABLE	60000801		●	●	●														08/14			
0068	ORANGE SIGNAL	60000958		●	●																07/14		
	ORANGE SIGNAL	60002297		●	●	●														08/14			
0072	WIRING POWER	60000935		●	●	●																	
0073	CABLE (POWER SUPPLY)	60001563	MONO	●	●																07/14		
5000	ACCESSORIES																						
5001	FIXING KIT	60002299		●	●	●																	

LIST OF THE ABBREVIATIONS

HW	: Hot water.
CW	: Cold water.
C	: Ceramic resistance (normal heating).
Ca	: Ceramic resistance (accelerated heating)
TP	: Immersion heater.
1F	: With fittings.
2F	: Without fittings.
3F	: With fittings and another outlet connection.
AMI	: With mixing valve.
SMI	: Without mixing valve.
PUISS	: Power of th appliance.
PN	: Appliance with normal pression.
LP	: Appliance with low pression.
PV	: Appliance with variable power.
PF	: Appliance with fixed power.

IDENTIFICATION PLATE

SERIAL NUMBER

9 Characters : 07 91 00301 (from 01/77 to 12/92)

Month of manufacture _____ Sequential number
 Year of manufacture _____

10 Characters : 95 01 065004 (from 01/93 to 06/95)

Year of manufacture _____ Sequential number
 Month of manufacture _____

OU

10 Characters : 01 95 065004 (from 07/95)

Month of manufacture _____ Sequential number
 Year of manufacture _____

12 Characters : 924 2 3 134 0115

Product reference _____ Sequential number
 Year of manufacture _____ Manufacturing day

15 ou 16 Characters : (0)03 070 0001 893077 (from 01/97 to 01/05)

Year of manufacture _____ Product reference
 Day of manufacture _____ Sequential number

OU

16 Characters : 05 070 0001 0000000 (from 02/05)

Year of manufacture _____ Product reference
 Day of manufacture _____ Sequential number

17 Characters : 07 070 00315 3070107

Year of manufacture _____ Product reference
 Sequential number
 Manufacturing day (70)

21 Characters : 3000115 XX 08115 0000001

Product reference _____ Sequential number
 Year (08) / Manufacturing day (115)

22 Characters : 3000115 XX 070416 0000001

Product reference _____ Sequential number
 Year (07) / Month (04) / Manufacturing day (16)

The indications mentioned on the prices, commercial or technical literature and the scheme are written for your guidance and are available at a given time. The CONSTRUCTOR retains the power to modify the presentation, the form, the size, the conception or the material of the products.