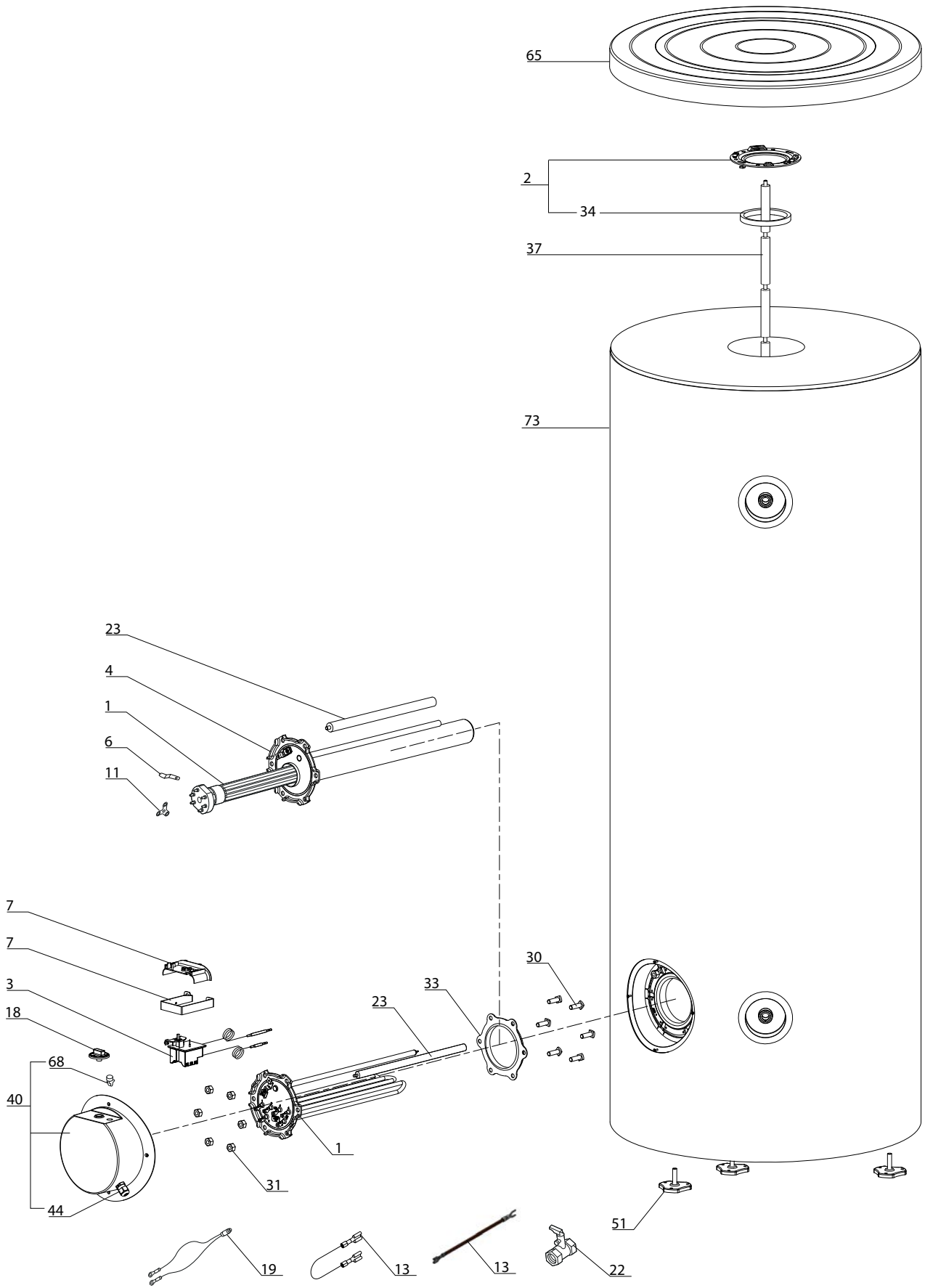




SPARE PARTS EXPLODED VIEW  
 STORAGE ELECTRIC WATER HEATERS  
 Model  
**STABLE 500L THER & STEA**

R8203503-03 - 28/06/2018

1	3070550	LEM 500 STAB 750 THER TR	09-2017	-
1	3070552	CHA 500 STAB 750 THER TR	09-2017	12-2017
1	3070547	TI 500 STI EU2	09-2017	-
1	3070548	ARI 500 STAB 750 THER TR	09-2017	-
1	3070549	FLE 500 STAB 750 THER TR	09-2017	-
1	3070553	ARI 500 STAB 750 THER TR EU2	09-2017	-
1	3070554	CHA 500 STAB 750 THER TR EU2	09-2017	-
1	3070555	FLE 500 STAB 750 THER TR EU2	09-2017	-
1	3070597	TI 500 STI EU2	04-2018	-
2	3070543	FLE 500 STAB 750 THER TR ESP	09-2017	-
2	3070544	ARI 500 STAB 750 THER TR ESP EU2	09-2017	-
2	3070545	FLE 500 STAB 750 THER TR ESP EU2	09-2017	-
3	3070558	ARI 500 STAB 750 STEA TR EU2	09-2017	-
3	3070557	LEM 500 STAB 750 STEA TR	09-2017	-
Col	Reference	Model type	Begin	End



☉⇒	Description	Manf. Pt. N	Type	<div style="display: flex; justify-content: space-between; align-items: center;"> <div style="border: 1px solid black; padding: 2px; transform: rotate(-15deg); font-size: 8px;">           500L THER. 500L THER. ESP 500L STEA.         </div> <div style="border: 1px solid black; padding: 2px; font-size: 10px;">  31         </div> </div>																		From	to
				1	2	3	4	5	6	7	8	9	10	11	12	13	14	15	16	17	18		
0001	CERAMIC RESISTANCE 4000W D.50 HEATING ELEMENT 6000W 230V	61400660-01 816518				●																	
0002	BRIDE SUP + WASHER	60002890		●	●	●																	
0003	THERMOSTAT (COTHERM 30A)	992085		●	●	●																	
0004	FLANGE	65803009				●																	
0006	LEG MAINTENANCE CERAMIC RESISTANCE	65408021				●																	
0007	THERMOSTAT BRACKET THERMOSTAT SUPPORT	60002880 60003004		●	●	●														01/18	12/17		
0011	PLATE CONNECTION IN STAR	60002896				●																	
0013	CABLE 4X150 BROWN FF-FF STRAIGHT CABLE BROWN - 4x150	60002891 60002894		●	●	●																	
0018	KNOB (REGULATION)	60002881		●	●	●																	
0019	SIGNAL LAMP	925198			●	●																	
0022	SAFETY VALVE (1» FF 6 BAR)	60002768		●	●	●																	
0023	ANODE D:21,3 L:390 M5-M8 ANODE D:21,3 L:430 M5-M8	993312-01 61402252-01		●	●	●																	
0030	SCREW M10X32	918061		●	●	●																	
0031	NUT M10	918041		●	●	●																	
0033	FLANGE GASKET WITH 6 HOLES	924002		●	●	●																	
0034	FLANGE GASKET D121,7X105X11,5	60000682		●	●	●																	
0037	ANODE D:21 L:130X6 M8	60003005		●	●	●																	
0040	PLASTIC COVER PLASTIC COVER	60002875 60002895		●	●	●																	
0044	GLAND	60002866		●	●	●																	
0051	ADJUSTABLE FOOT M10	65152260		●	●	●																	
0065	PROTECTIVE CAP Ø750	60002914		●	●	●																	
0068	SIGNAL LAMP CAP	926030			●	●																	
0073	OUTER COVERING Ø745 500L	60002903		●	●	●														01/18			

## LIST OF THE ABBREVIATIONS

HW .....	: Hot water.
CW .....	: Cold water.
C .....	: Ceramic resistance (normal heating).
Ca .....	: Ceramic resistance (accelerated heating)
TP .....	: Immersion heater.
1F .....	: With fittings.
2F .....	: Without fittings.
3F .....	: With fittings and another outlet connection.
AMI .....	: With mixing valve.
SMI .....	: Without mixing valve.
PUISS .....	: Power of th appliance.
PN .....	: Appliance with normal pression.
LP .....	: Appliance with low pression.
PV .....	: Appliance with variable power.
PF .....	: Appliance with fixed power.

## IDENTIFICATION PLATE

### SERIAL NUMBER

**9 Characters :** 07 91 00301 (from 01/77 to 12/92)

Month of manufacture \_\_\_\_\_ Sequential number  
Year of manufacture \_\_\_\_\_

**10 Characters :** 95 01 065004 (from 01/93 to 06/95)

Year of manufacture \_\_\_\_\_ Sequential number  
Month of manufacture \_\_\_\_\_

**OU**

**10 Characters :** 01 95 065004 (from 07/95)

Month of manufacture \_\_\_\_\_ Sequential number  
Year of manufacture \_\_\_\_\_

**12 Characters :** 924 2 3 134 0115

Product reference \_\_\_\_\_ Sequential number  
Year of manufacture \_\_\_\_\_ Manufacturing day

**15 ou 16 Characters :** (0)03 070 0001 893077 (from 01/97 to 01/05)

Year of manufacture \_\_\_\_\_ Product reference  
Day of manufacture \_\_\_\_\_ Sequential number

**OU**

**16 Characters :** 05 070 0001 0000000 (from 02/05)

Year of manufacture \_\_\_\_\_ Product reference  
Day of manufacture \_\_\_\_\_ Sequential number

**17 Characters :** 07 070 00315 3070107

Year of manufacture \_\_\_\_\_ Product reference  
Sequential number  
Manufacturing day (70)

**21 Characters :** 3000115 XX 08115 0000001

Product reference \_\_\_\_\_ Sequential number  
Year (08) / Manufacturing day (115)

**22 Characters :** 3000115 XX 070416 0000001

Product reference \_\_\_\_\_ Sequential number  
Year (07) / Month (04) / Manufacturing day (16)