



# SPARE PARTS EXPLODED VIEW BOILERS

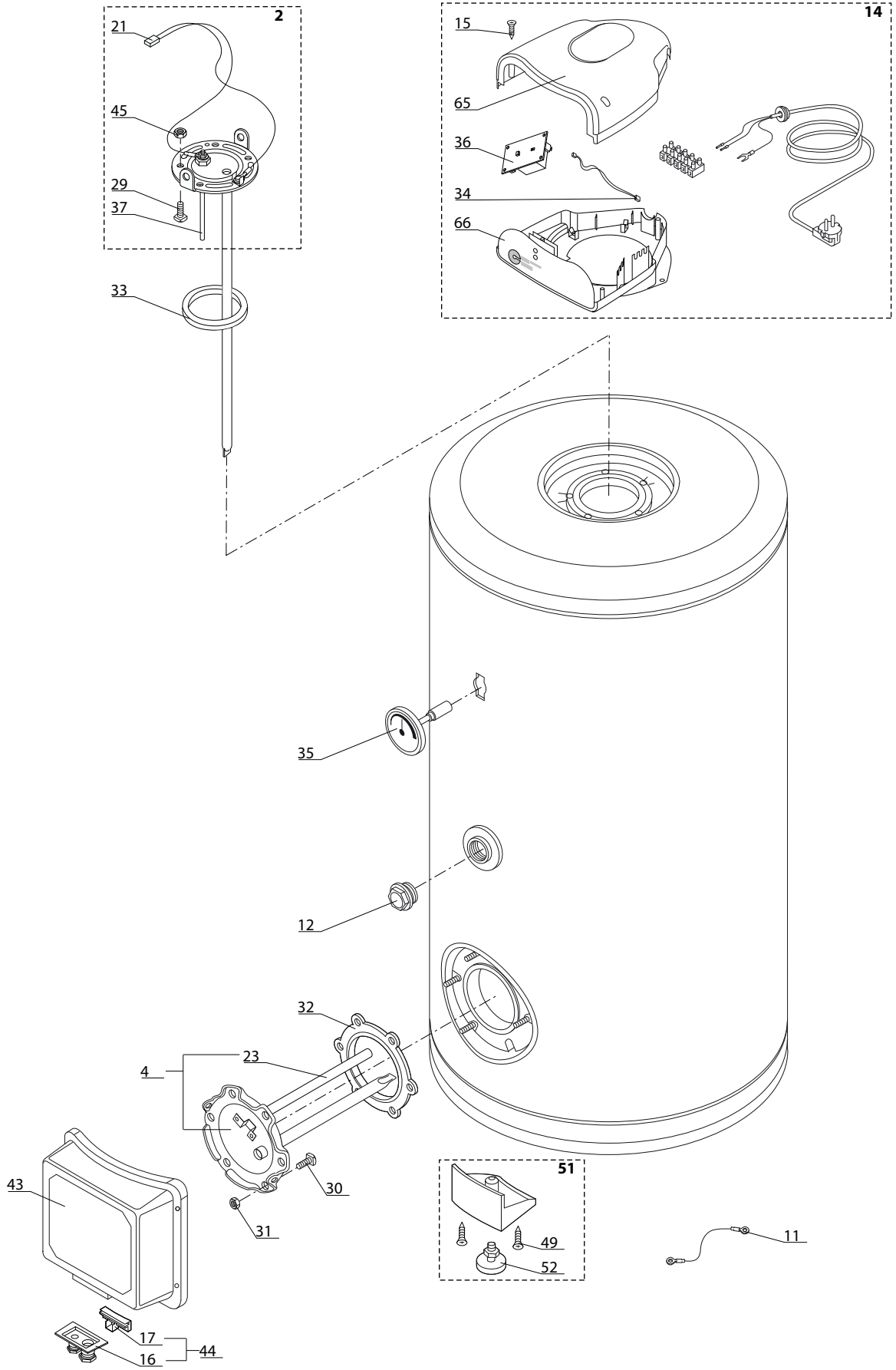
Model

## BS PROTECH

R8202744-08 - 14/11/2016

1	892975	FLECK - IFP BS 1 S 150 Protech	10-2003	07-2008
2	892980	FLECK - IFP BS 2 S 200 Protech	10-2003	07-2008
2	892976	FLECK - IFP BS 1 S 200 Protech	10-2003	07-2008
2	3070060	FLECK - IFP BS 1 S 200 PROTECH	12-2007	06-2010
2	3070063	FLECK - IFP BS 2 S 200 PROTECH	12-2007	05-2010
3	892981	FLECK - IFP BS 2 S 300 Protech	10-2003	07-2008
3	892977	FLECK - IFP BS 1 S 300 Protech	10-2003	07-2008
3	3070061	FLECK - IFP BS 1 S 300 PROTECH	12-2007	05-2013
3	3070064	FLECK - IFP BS 2 S 300 PROTECH	12-2007	05-2010
4	892978	FLECK - IFP BS 1 S 400 Protech	10-2003	07-2008
4	892982	FLECK - IFP BS 2 S 400 Protech	10-2003	07-2008
5	892979	FLECK - IFP BS 1 S 500 Protech	10-2003	07-2008
5	892983	FLECK - IFP BS 2 S 500 Protech	10-2003	07-2008
5	3070062	FLECK - IFP BS 1 S 500 PROTECH	12-2007	05-2013
5	3070065	FLECK - IFP BS 2 S 500 PROTECH	12-2007	05-2013

Col	Reference	Model type	Begin	End
-----	-----------	------------	-------	-----





## LIST OF THE ABBREVIATIONS

HW .....	: Hot water.
CW .....	: Cold water.
C .....	: Ceramic resistance (normal heating).
Ca .....	: Ceramic resistance (accelerated heating)
TP .....	: Immersion heater.
1F .....	: With fittings.
2F .....	: Without fittings.
3F .....	: With fittings and another outlet connection.
AMI .....	: With mixing valve.
SMI .....	: Without mixing valve.
PUISS .....	: Power of the appliance.
PN .....	: Appliance with normal pressure.
LP .....	: Appliance with low pressure.
PV .....	: Appliance with variable power.
PF .....	: Appliance with fixed power.

## IDENTIFICATION PLATE

### SERIAL NUMBER

**9 Characters :** 07 91 00301 (from 01/77 to 12/92)

Month of manufacture 07 91 Sequential number 00301  
Year of manufacture 07 91

**10 Characters :** 95 01 065004 (from 01/93 to 06/95)

Year of manufacture 95 01 Sequential number 065004  
Month of manufacture 95 01

**OU**

**10 Characters :** 01 95 065004 (from 07/95)

Month of manufacture 01 95 Sequential number 065004  
Year of manufacture 01 95

**12 Characters :** 924 2 3 134 0115

Product reference 924 2 3 Sequential number 134 0115  
Year of manufacture 924 2 3 Manufacturing day 134 0115

**15 ou 16 Characters :** (0)03 070 0001 893077 (from 01/97 to 01/05)

Year of manufacture (0)03 070 Product reference 893077  
Day of manufacture (0)03 070 Sequential number 0001 893077

**OU**

**16 Characters :** 05 070 0001 0000000 (from 02/05)

Year of manufacture 05 070 Product reference 0001 0000000  
Day of manufacture 05 070 Sequential number 0001 0000000

**17 Characters :** 07 070 00315 3070107

Year of manufacture 07 070 Product reference 00315 3070107  
Sequential number 00315 3070107  
Manufacturing day (70) 00315 3070107

**21 Characters :** 3000115 XX 08115 0000001

Product reference 3000115 XX Sequential number 08115 0000001  
Year (08) / Manufacturing day (115) 08115 0000001

**22 Characters :** 3000115 XX 070416 0000001

Product reference 3000115 XX Sequential number 070416 0000001  
Year (07) / Month (04) / Manufacturing day (16) 070416 0000001