



ECONCEPT 15A

LISTA PEZZI DI RICAMBIO

SPARE PART LIST

ERSATZSTEILE

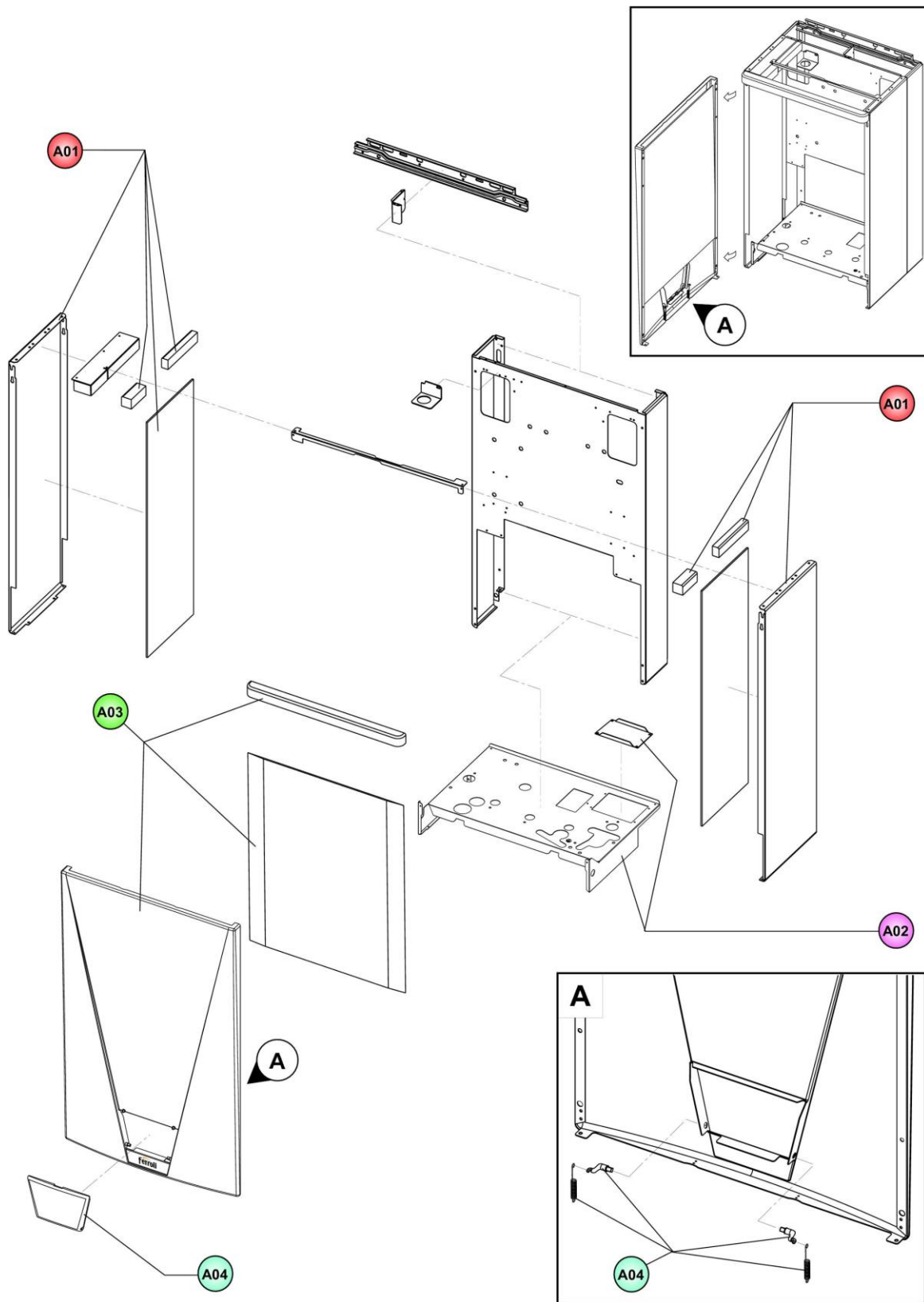
LIJST ONDERDELEN

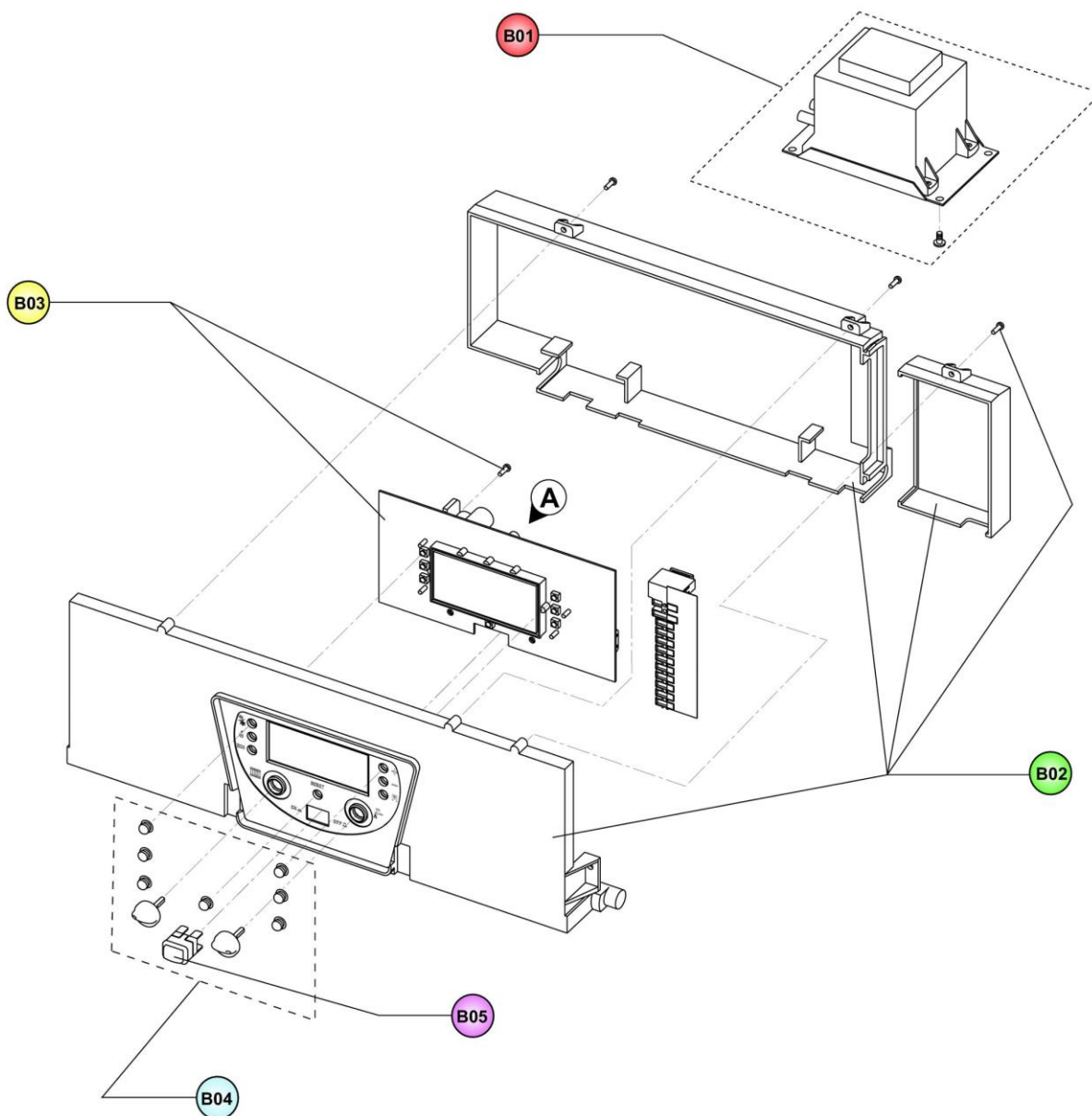
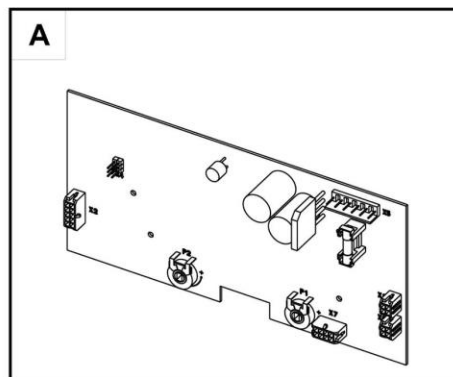
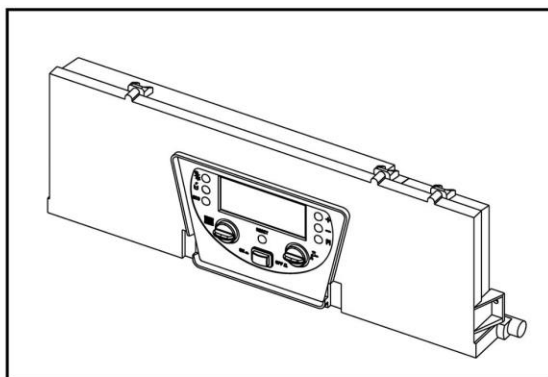
LISTE PIECES DETACHES

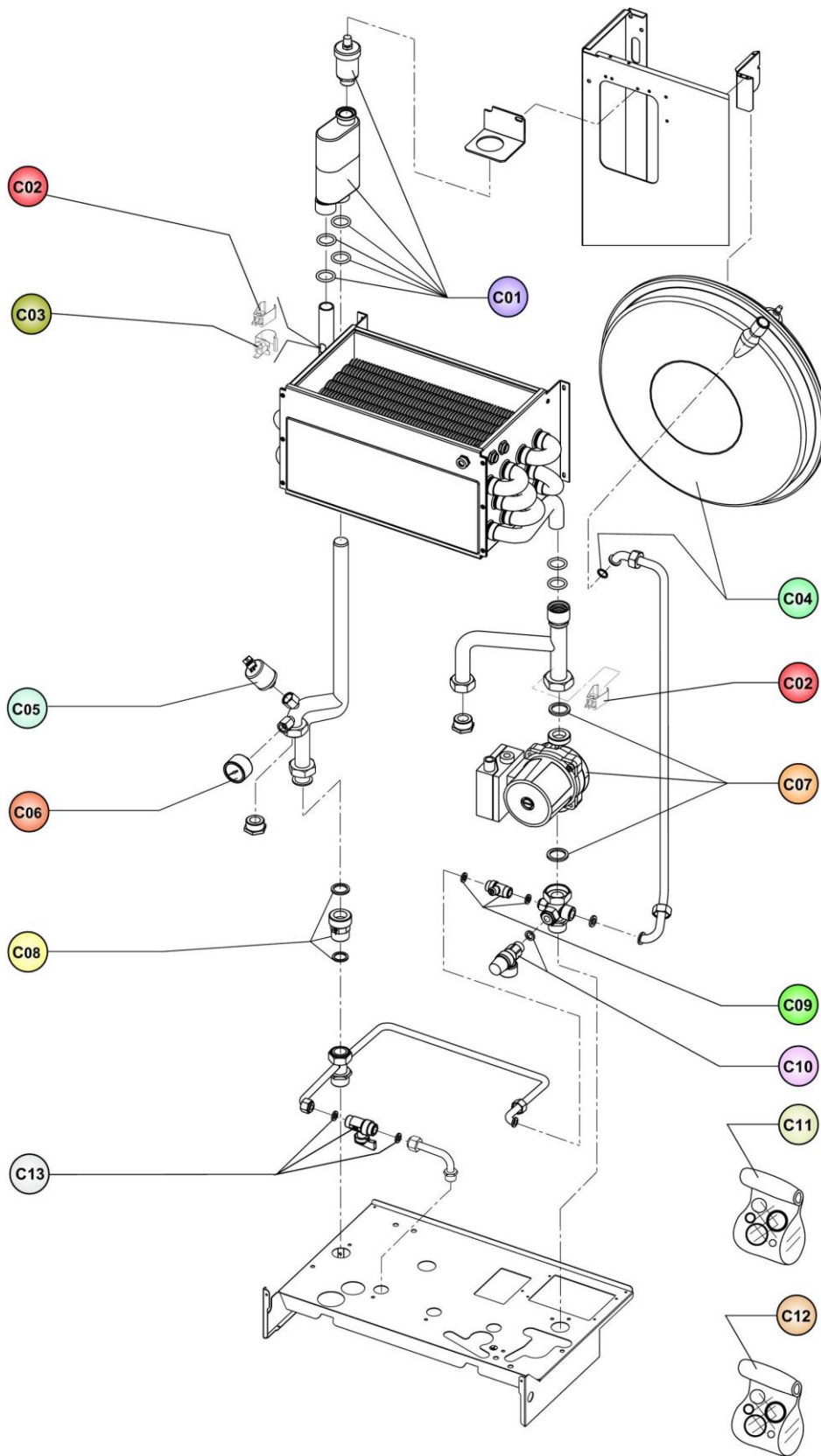
LISTA PIEZAS DE REPUESTO

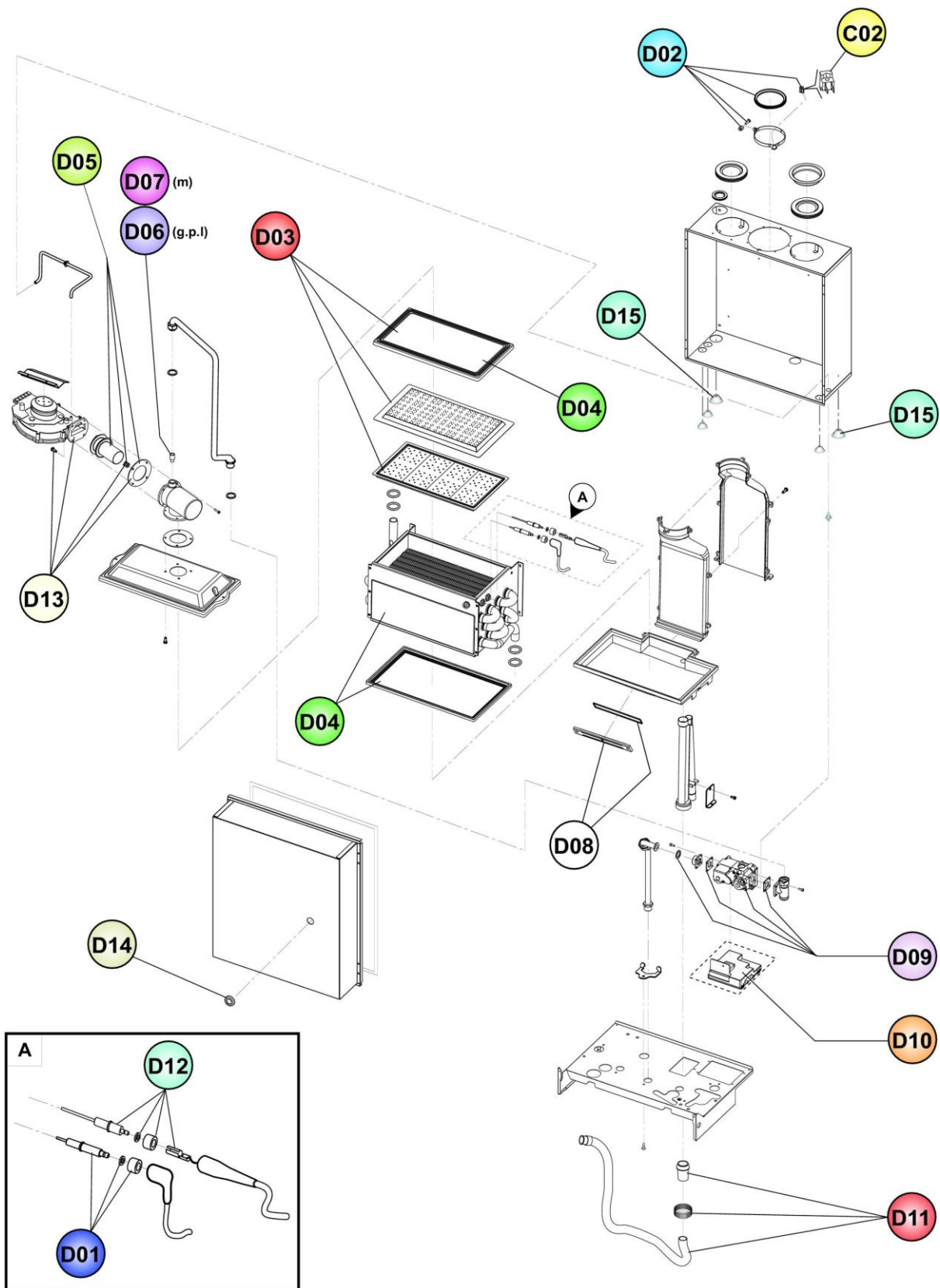


| CODICE | EDIZIONE | MERCATO |
|-------------------|-------------------|----------------|
| 30K0057002 | 01/05/2005 | IT |









| LISTE DE PIECES | | | |
|------------------------|-------------|-----------------------------------|------------|
| POS. | CODE | DESIGNATION | QT. |
| A01 | 39810531 | PANNEAU G/D | 1 |
| A02 | 39817020 | | 1 |
| A03 | 39810410 | JAQUETTE ECONCEPT | 1 |
| A04 | 39810400 | | 1 |
| B01 | 39809420 | TRANSFO ECONCEPT | 1 |
| B02 | 39810390 | TABLEAU NU ECONCEPT | 1 |
| B03 | 39810380 | C.I. DIGITAL ECONCEPT | 1 |
| B04 | 39810470 | ENSEMBLE BOUTON ECONCEPT | 1 |
| B05 | 39811480 | KIT 5 BOUT CDE | 1 |
| C01 | 39810370 | KIT PURGEUR AUTO. ECONCEPT | 1 |
| C02 | 39806670 | SONDE APPL. ECONCEPT | 1 |
| C03 | 39805650 | THERMOSTAT100° | 1 |
| C04 | 39809690 | VASE D'EXP 10L | 1 |
| C05 | 39809470 | MANQUE EAU | 1 |
| C06 | 39809750 | MANOMETRE | 1 |
| C07 | 39810560 | | 1 |
| C08 | 39810330 | CAPET ANTIRETOUR ECONCEPT | 1 |
| C09 | 39810360 | BY-PASS MANUEL ECONCEPT | 1 |
| C10 | 39800130 | SOUPAPE SECU 1/2 3B | 1 |
| C11 | 39810350 | KIT JOINT ECONCEPT | 1 |
| C12 | 39812340 | KIT JOINT | 1 |
| C13 | 39808980 | ROBINET 3/8 CLAPET RETENUE | 1 |
| D01 | 39810440 | ELECTRODE ALLUMAGE ECONCEPT | 1 |
| D02 | 39810340 | SONDE TEMP FUMEE ECONCEPT | 1 |
| D03 | 39807910 | | 1 |
| D04 | 39810550 | CORPS DE CHAUFFE ECONCEPT | 1 |
| D05 | 39812220 | | 1 |
| D06 | 39812210 | KIT GPL ECONCEPT | 1 |
| D07 | 39807870 | KIT GN ECONCEPT | 1 |
| D08 | 39806570 | | 1 |
| D09 | 39810420 | BLOC GAZ VK4115V | 1 |
| D10 | 39810431 | C.I. DCF02.1 ECONCEPT | 1 |
| D11 | 39811610 | KIT EVACUATION CONDESATS ECONCEPT | 1 |
| D12 | 39806200 | ELECTRODE IONISATION ECONCEPT | 1 |
| D13 | 39810540 | VENTILATEUR ECONCEPT | 1 |
| D14 | 39811330 | BOUCHON SILI | 1 |
| D15 | 39809540 | | 1 |