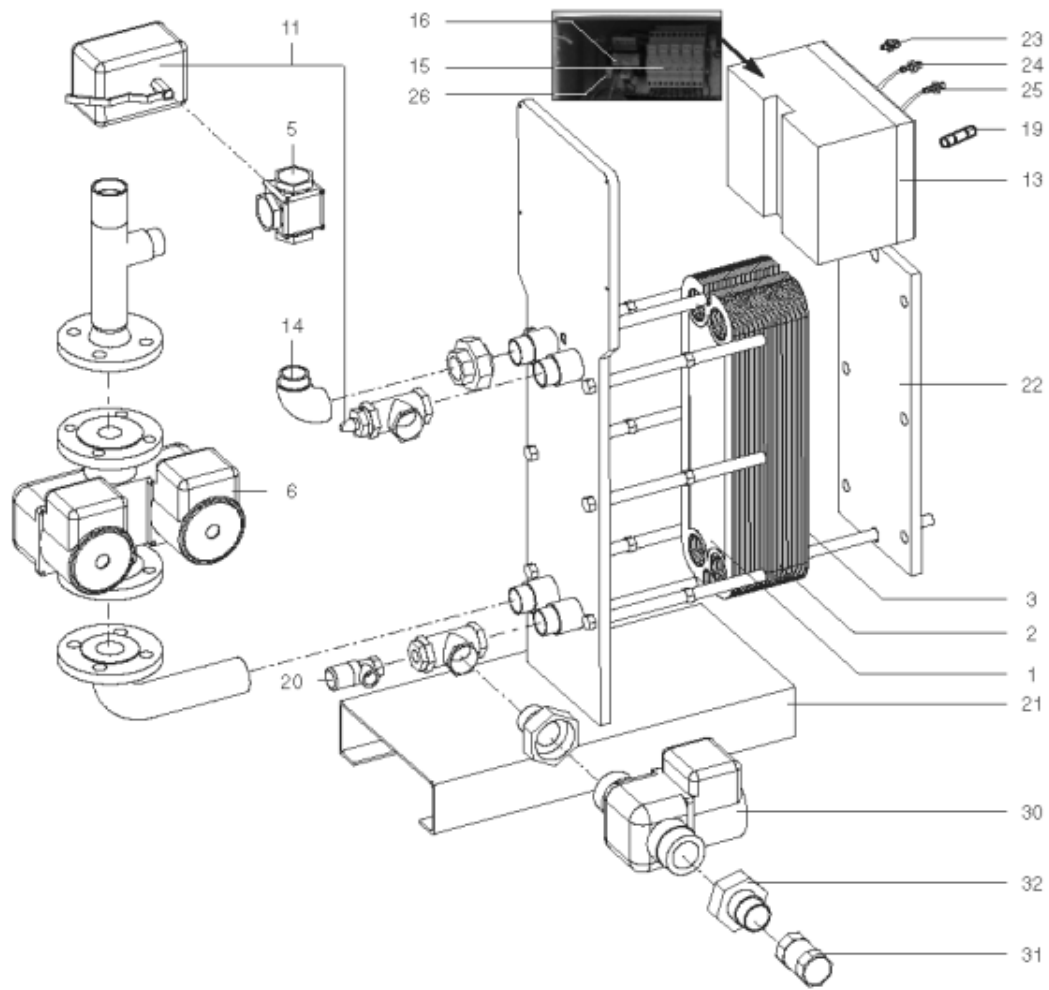


LISTE DE PIECES

05/07/2016

| | |
|----------------|---------------------------------|
| <i>Produit</i> | 3080088 - HYDRA 250 IS RENDAMAX |
| <i>Modèle</i> | HYDRA |
| <i>Marque</i> | RENDAMAX |
| <i>Date</i> | 19/06/2013 |



| Table | | HYDRA 01/2005 > ... | | | | | | | | |
|-------|-----------|---------------------|--|--------------|------------|----------|-------------------|--------------------------|--|--|
| Rep. | Référence | ALIAS | Désignation | Remplacé par | Date début | Date fin | Multiple de vente | Tarif Public Unitaire HT | | |
| 1 | 61400975 | | PLAQUE INOX 4 OUVERTURES 45.5X14.2 cm | | | | 1 | 278,60 | | |
| 2 | 61400974 | | PLAQUE INOX INTERMEDIAIRE 45.5X14.2 cm | | | | 1 | 292,50 | | |
| 3 | 61400976 | | PLAQUE INOX PLEINE 45.5X14.2 cm | | | | 1 | 284,00 | | |
| 5 | 61400981 | | VANNE 3 VOIES LAITON DN32 11/4 (ESBE) | | | | 1 | 257,70 | | |
| 6 | 61400978 | | POMPE SIMPLE DE 250 > 600KW | | | | 1 | 1 452,60 | | |
| 11 | 61400983 | | SERVOMOTEUR REGULATEUR (ESBE) | | | | 1 | 2 249,50 | | |
| 13 | 61400973 | | COFFRET ELECTRIQUE 240V HYDRA 1 | | | | 1 | 1 381,90 | | |
| 14 | 61400982 | | COUDE UNION PRIMAIRE | | | | 1 | 147,10 | | |
| 15 | 60001193 | | PORTE FUSIBLE | | | | 1 | 19,10 | | |
| 16 | 60001655 | | TRANSFORMATEUR 220/24V 25VA | | | | 1 | 176,60 | | |
| 19 | 60001656 | | FUSIBLE 1A 10X38 AM | | | | 1 | 6,60 | | |
| 19 | 60001657 | | FUSIBLE 2A gG 10X38 | | | | 1 | 6,60 | | |
| 19 | 60001658 | | FUSIBLE 500mA 5X20 | | | | 1 | 6,60 | | |
| 20 | 61400984 | | SOUPAPE DE SECURITE 7 BARS | | | | 1 | 126,10 | | |
| 21 | 61400988 | | SUPPORT GAUCHE | | | | 1 | 938,90 | | |
| 22 | 61400989 | | SUPPORT DROIT | | | | 1 | 163,50 | | |
| 23 | 60000479 | | BOUTON POUSSOIR | | | | 1 | 35,50 | | |
| 24 | 60000480 | | VOYANT ROUGE | | | | 1 | 57,00 | | |
| 25 | 60000481 | | VOYANT VERT | | | | 1 | 57,00 | | |
| 26 | 60001659 | | RELAIS RCL 424730 220V 2RT | | | | 1 | 19,80 | | |
| 30 | 60000066 | | POMPE SIMPLE BRONZE (G1.5) | | | | 1 | 1 510,80 | | |
| 31 | 60000071 | | CLAPET ANTI-RETOUR | | | | 1 | 141,80 | | |
| 32 | 60000072 | | RACCORD G 1.5 | | | | 1 | 192,90 | | |