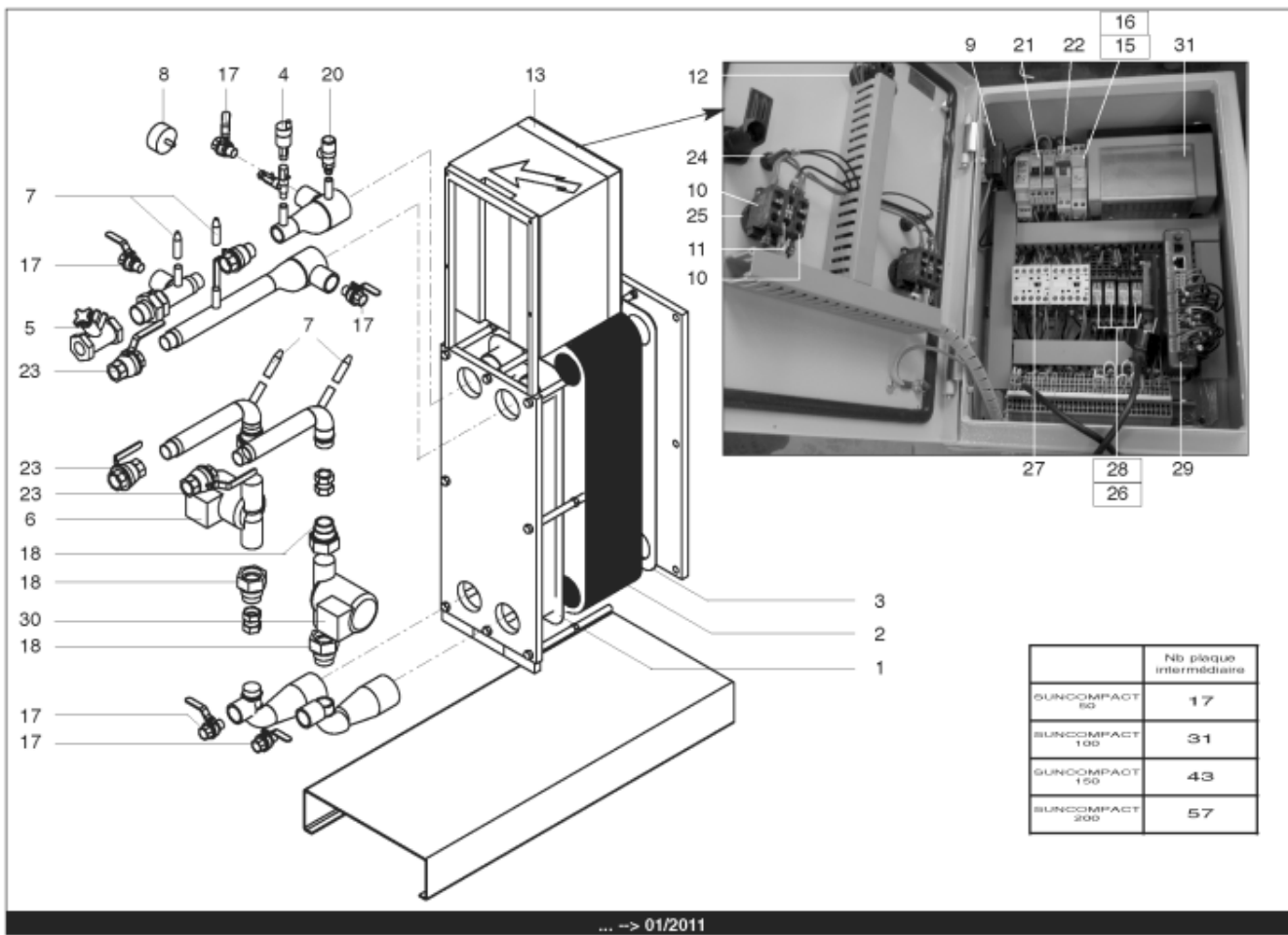


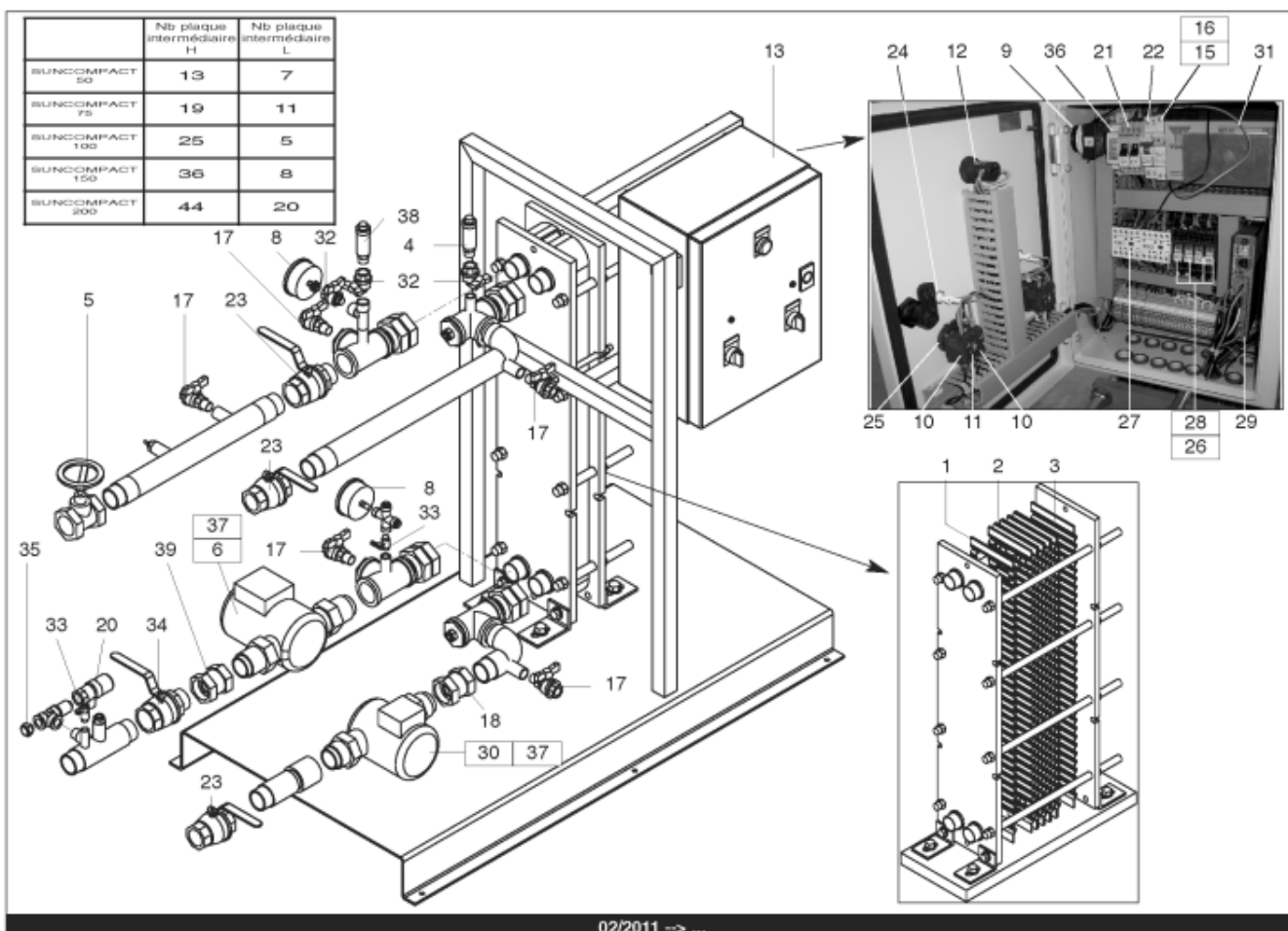
LISTE DE PIECES

05/07/2016

| | |
|----------------|---------------------------------|
| <i>Produit</i> | 3087274 - SUN COMPACT 200 TB-2V |
| <i>Modèle</i> | SUN COMPACT |
| <i>Marque</i> | NEUTRO |
| <i>Date</i> | 15/05/2012 |



| | Nb plaque intermédiaire |
|----------------|-------------------------|
| SUNCOMPACT 50 | 17 |
| SUNCOMPACT 100 | 31 |
| SUNCOMPACT 150 | 43 |
| SUNCOMPACT 200 | 57 |



| | Nb plaque intermédiaire H | Nb plaque intermédiaire L |
|----------------|---------------------------|---------------------------|
| SUNCOMPACT 50 | 13 | 7 |
| SUNCOMPACT 75 | 19 | 11 |
| SUNCOMPACT 100 | 25 | 5 |
| SUNCOMPACT 150 | 36 | 8 |
| SUNCOMPACT 200 | 44 | 20 |

| Table | | SUN COMPACT | | | | | | | |
|-------|-----------|-------------|--|--------------|------------|----------|-------------------|--------------------------|--|
| Rep. | Référence | ALIAS | Désignation | Remplacé par | Date début | Date fin | Multiple de vente | Tarif Public Unitaire HT | |
| 1 | 60001662 | | PLAQUE PGT42 INITIALE (4trous) 72.5X24 | | | 02/11 | 1 | 110,60 | |
| 1 | 60001724 | | PLAQUE INITIALE (4trous) 64X18cm | | 02/11 | | 1 | 83,80 | |
| 2 | 60001661 | | PLAQUE PGT42 INTERMEDIAIRE 72.5x24 | | | 02/11 | 1 | 110,60 | |
| 2 | 60001725 | | PLAQUE INTERMEDIAIRE H (64X18cm) | | 02/11 | | 1 | 87,00 | |
| 2 | 60001726 | | PLAQUE INTERMEDIAIRE L (64X18cm) | | 02/11 | | 1 | 83,80 | |
| 3 | 60001663 | | PLAQUE PGT42 FINALE (pleine) 72.5X24 | | | 02/11 | 1 | 110,60 | |
| 3 | 60001727 | | PLAQUE FINALE (pleine) 64X18cm | | 02/11 | | 1 | 83,80 | |
| 4 | 60001672 | | PURGEUR AUTOMATIQUE | | | | 1 | 30,30 | |
| 5 | 60001674 | | ROBINET REGLABLE DN32 | | | | 1 | 99,00 | |
| 6 | 60001664 | | POMPE ROUGE UPS 32-80 | 60001740 | | 02/11 | 1 | 856,40 | |
| 6 | 60001735 | | POMPE TP 32-90 BQQE | | 02/11 | | 1 | 1 968,50 | |
| 6 | 60001738 | | POMPE TPD 32-100 BQQE | | 02/11 | | 1 | 6 345,00 | |
| 7 | 60001670 | | SONDE / DOIGT DE GANT | | | | 1 | 80,30 | |
| 8 | 60001671 | | MANOMETRE 0-->10 Bars Hrz | | | | 1 | 99,40 | |
| 9 | 60001676 | | INTERRUPTEUR ON/OFF MONO | | | | 1 | 80,30 | |
| 10 | 60001678 | | CONTACTEUR NO 3-4 | | | | 1 | 61,70 | |
| 11 | 60001679 | | SUPPORT VOYANT VERT DEL 220V | | | | 1 | 61,70 | |
| 12 | 60001681 | | VOYANT BLANC 220V | | | | 1 | 31,50 | |
| 13 | 60001675 | | BOITIER ELECTRIQUE | | | | 1 | 202,50 | |
| 15 | 60001193 | | PORTE FUSIBLE | | | | 1 | 19,10 | |
| 16 | 60001689 | | FUSIBLE 1A gG 10X38 | | | | 1 | 12,30 | |
| 17 | 60001688 | | ROBINET DN 20 FF 20/27 | | | 02/11 | 1 | 18,70 | |
| 17 | 60001728 | | ROBINET 15 MF 15/21 | | 02/11 | | 1 | 18,70 | |
| 18 | 60001669 | | RACCORD ANTI-RETOUR SOCLA DN 32 | | | | 1 | 80,30 | |
| 20 | 60001673 | | SOUPAPE DE SECURITE 7 BARS | | | | 1 | 99,00 | |
| 21 | 60001682 | | DISJONCTEUR 2A | | | | 1 | 61,70 | |
| 22 | 60001683 | | DISJONCTEUR 10A | | | | 1 | 74,50 | |
| 23 | 60001668 | | ROBINET DN 32 FF 33/42 | | | | 1 | 31,50 | |
| 24 | 60001680 | | VOYANT ROUGE 220V | | | | 1 | 61,70 | |
| 25 | 60001677 | | VOYANT POUSSOIR VERT | | | | 1 | 61,70 | |
| 26 | 60001659 | | RELAIS RCL 424730 220V 2RT | | | | 1 | 19,80 | |
| 27 | 60001684 | | CONTACTEUR 230V | | | | 1 | 82,70 | |
| 28 | 60001685 | | SUPPORT RELAIS SRC-1 2RT | | | | 1 | 12,90 | |
| 29 | 60001686 | | BOITIER CONNECTION T BOX (3087261) | | | | 1 | 2 444,70 | |
| 30 | 60001666 | | POMPE SIMPLE NOIR TP 25-90 | | | 02/11 | 1 | 2 199,20 | |
| 30 | 60001667 | | POMPE DOUBLE TPD 32-60 BUBE | | | 02/11 | 1 | 2 560,30 | |
| 30 | 60001743 | | POMPE TPD 32-80 BAQE | | 02/11 | | 1 | 6 235,60 | |
| 31 | 60001687 | | MODULE D'ALIMENTATION | | | | 1 | 428,20 | |
| 32 | 60001729 | | ROBINET 10 MF 12/17 | | | | 1 | 18,70 | |
| 33 | 60001730 | | ROBINET | | | | 1 | 6,40 | |
| 34 | 60001731 | | ROBINET 32 MF 33/42 | | | | 1 | 21,00 | |
| 35 | 60001732 | | BOUCHON M 15/21 | | | | 1 | 4,50 | |
| 36 | 60001733 | | TRANSFORMATEUR | | | | 1 | 244,40 | |
| 37 | 60001744 | | POMPE TP 32-90 BUBE | | | | 1 | 1 765,00 | |
| 38 | 60001745 | | PURGEUR | | | | 1 | 69,90 | |
| 39 | 60001746 | | RACCORD ANTI-RETOUR | | | | 1 | 143,20 | |