

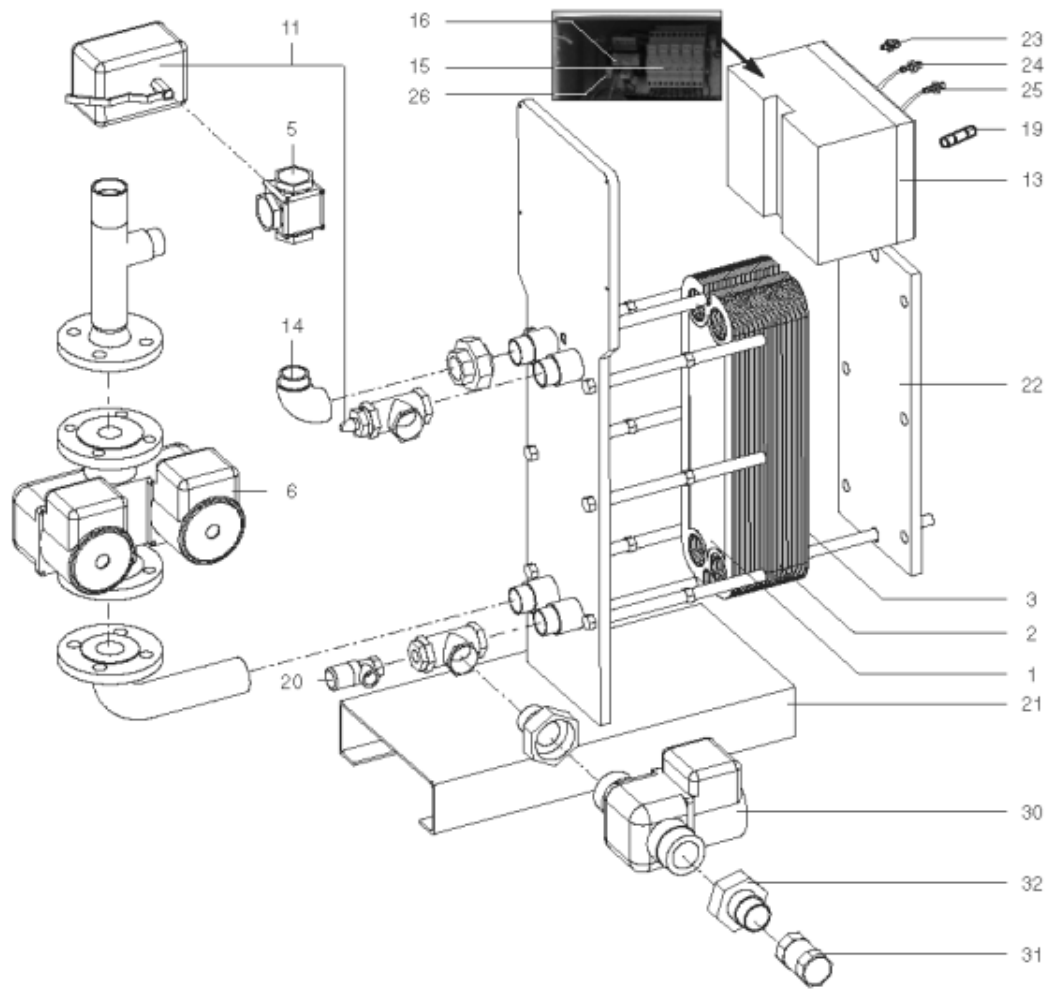
*LISTE DE PIECES*

05/07/2016

---

|                |                                 |
|----------------|---------------------------------|
| <i>Produit</i> | 3080090 - HYDRA 310 IS RENDAMAX |
| <i>Modèle</i>  | HYDRA                           |
| <i>Marque</i>  | RENDAMAX                        |
| <i>Date</i>    | 19/06/2013                      |

---



| Table |           | HYDRA 01/2005 > ... |  |              |            |          |                   |              |          |    |
|-------|-----------|---------------------|--|--------------|------------|----------|-------------------|--------------|----------|----|
| Rep.  | Référence | ALIAS               | Désignation                            | Remplacé par | Date début | Date fin | Multiple de vente | Tarif Public | Unitaire | HT |
| 1     | 61400975  |                     | PLAQUE INOX 4 OUVERTURES 45.5X14.2 cm  |              |            |          | 1                 | 278,60       |          |    |
| 2     | 61400974  |                     | PLAQUE INOX INTERMEDIAIRE 45.5X14.2 cm |              |            |          | 1                 | 292,50       |          |    |
| 3     | 61400976  |                     | PLAQUE INOX PLEINE 45.5X14.2 cm        |              |            |          | 1                 | 284,00       |          |    |
| 5     | 61400981  |                     | VANNE 3 VOIES LAITON DN32 11/4 (ESBE)  |              |            |          | 1                 | 257,70       |          |    |
| 6     | 61400978  |                     | POMPE SIMPLE DE 250 > 600KW            |              |            |          | 1                 | 1 452,60     |          |    |
| 11    | 61400983  |                     | SERVOMOTEUR REGULATEUR (ESBE)          |              |            |          | 1                 | 2 249,50     |          |    |
| 13    | 61400973  |                     | COFFRET ELECTRIQUE 240V HYDRA 1        |              |            |          | 1                 | 1 381,90     |          |    |
| 14    | 61400982  |                     | COUDE UNION PRIMAIRE                   |              |            |          | 1                 | 147,10       |          |    |
| 15    | 60001193  |                     | PORTE FUSIBLE                          |              |            |          | 1                 | 19,10        |          |    |
| 16    | 60001655  |                     | TRANSFORMATEUR 220/24V 25VA            |              |            |          | 1                 | 176,60       |          |    |
| 19    | 60001656  |                     | FUSIBLE 1A 10X38 AM                    |              |            |          | 1                 | 6,60         |          |    |
| 19    | 60001657  |                     | FUSIBLE 2A gG 10X38                    |              |            |          | 1                 | 6,60         |          |    |
| 19    | 60001658  |                     | FUSIBLE 500mA 5X20                     |              |            |          | 1                 | 6,60         |          |    |
| 20    | 61400984  |                     | SOUPAPE DE SECURITE 7 BARS             |              |            |          | 1                 | 126,10       |          |    |
| 21    | 61400988  |                     | SUPPORT GAUCHE                         |              |            |          | 1                 | 938,90       |          |    |
| 22    | 61400989  |                     | SUPPORT DROIT                          |              |            |          | 1                 | 163,50       |          |    |
| 23    | 60000479  |                     | BOUTON POUSSOIR                        |              |            |          | 1                 | 35,50        |          |    |
| 24    | 60000480  |                     | VOYANT ROUGE                           |              |            |          | 1                 | 57,00        |          |    |
| 25    | 60000481  |                     | VOYANT VERT                            |              |            |          | 1                 | 57,00        |          |    |
| 26    | 60001659  |                     | RELAIS RCL 424730 220V 2RT             |              |            |          | 1                 | 19,80        |          |    |
| 30    | 60000066  |                     | POMPE SIMPLE BRONZE (G1.5)             |              |            |          | 1                 | 1 510,80     |          |    |
| 31    | 60000071  |                     | CLAPET ANTI-RETOUR                     |              |            |          | 1                 | 141,80       |          |    |
| 32    | 60000072  |                     | RACCORD G 1.5                          |              |            |          | 1                 | 192,90       |          |    |