

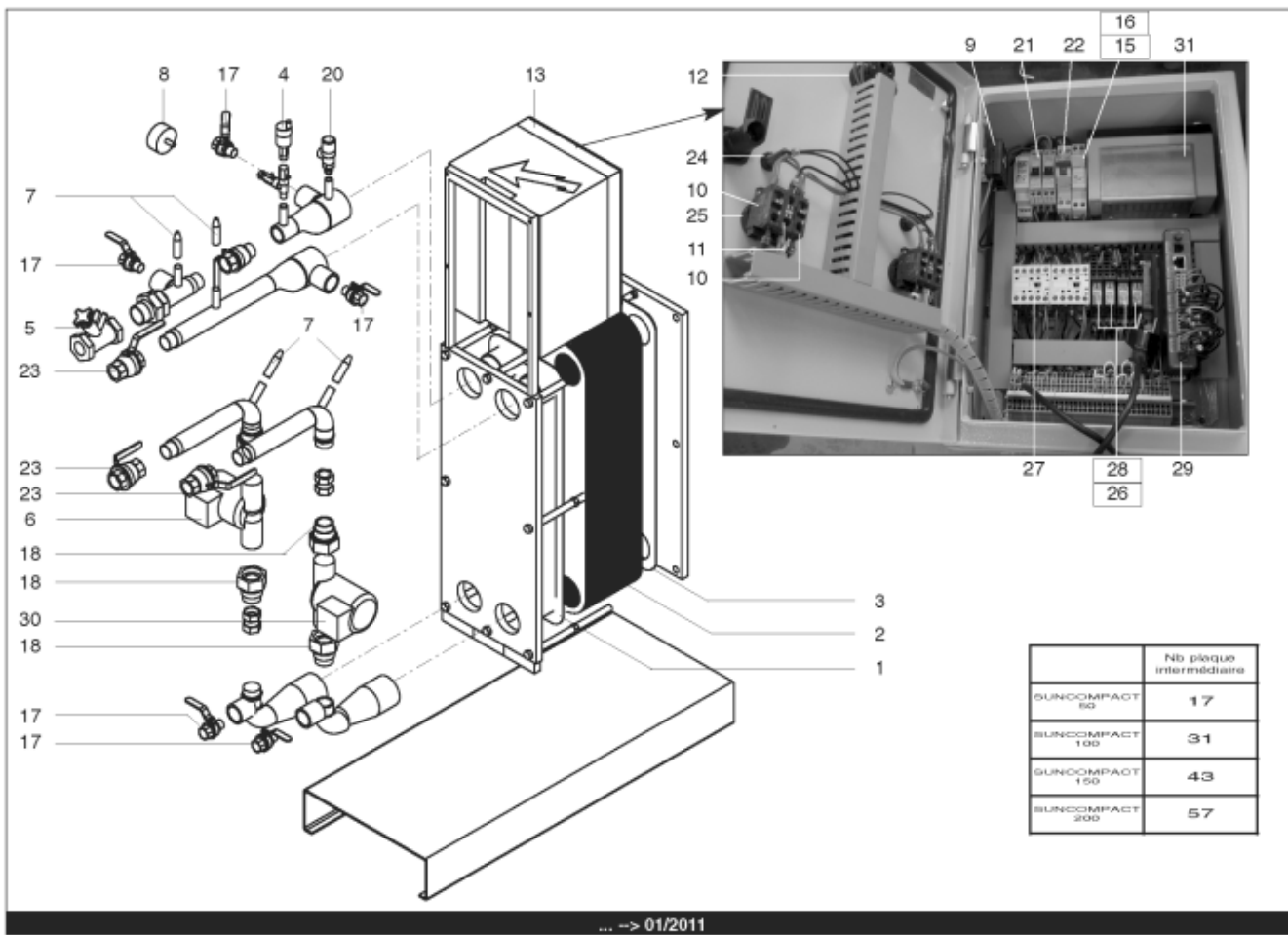
*LISTE DE PIECES*

05/07/2016

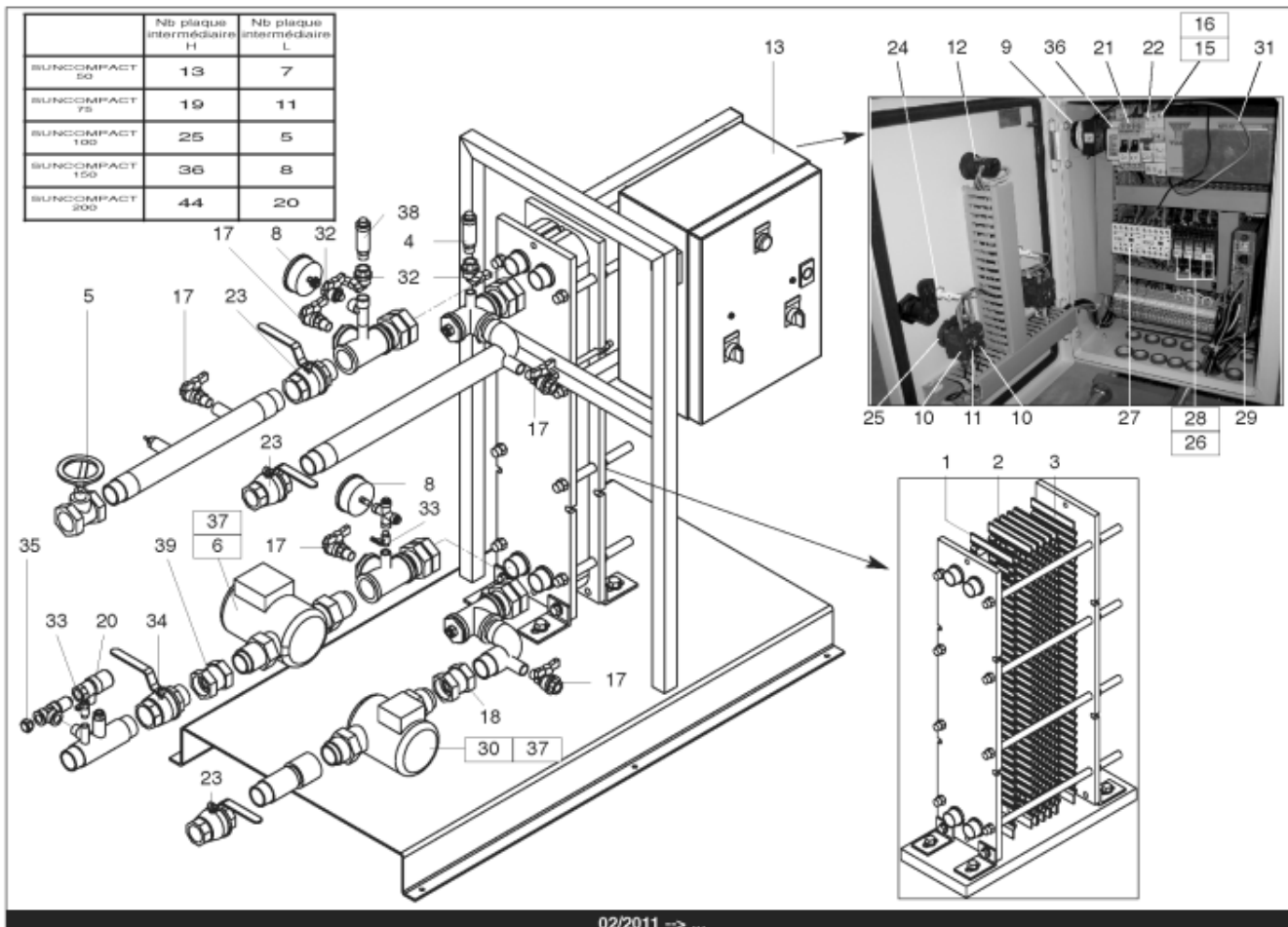
---

|                |                                 |
|----------------|---------------------------------|
| <i>Produit</i> | 3087277 - SUN COMPACT 150 SR-2V |
| <i>Modèle</i>  | SUN COMPACT                     |
| <i>Marque</i>  | NEUTRO                          |
| <i>Date</i>    | 15/05/2012                      |

---



|                | Nb plaque intermédiaire |
|----------------|-------------------------|
| SUNCOMPACT 50  | 17                      |
| SUNCOMPACT 100 | 31                      |
| SUNCOMPACT 150 | 43                      |
| SUNCOMPACT 200 | 57                      |



| Table |           | SUN COMPACT |  |              |            |          |                   |                          |  |  |
|-------|-----------|-------------|--|--------------|------------|----------|-------------------|--------------------------|--|--|
| Rep.  | Référence | ALIAS       | Désignation                            | Remplacé par | Date début | Date fin | Multiple de vente | Tarif Public Unitaire HT |  |  |
| 1     | 60001662  |             | PLAQUE PGT42 INITIALE (4trous) 72.5X24 |              |            | 02/11    | 1                 | 110,60                   |  |  |
| 1     | 60001724  |             | PLAQUE INITIALE (4trous) 64X18cm       |              | 02/11      |          | 1                 | 83,80                    |  |  |
| 2     | 60001661  |             | PLAQUE PGT42 INTERMEDIAIRE 72.5x24     |              |            | 02/11    | 1                 | 110,60                   |  |  |
| 2     | 60001725  |             | PLAQUE INTERMEDIAIRE H (64X18cm)       |              | 02/11      |          | 1                 | 87,00                    |  |  |
| 2     | 60001726  |             | PLAQUE INTERMEDIAIRE L (64X18cm)       |              | 02/11      |          | 1                 | 83,80                    |  |  |
| 3     | 60001663  |             | PLAQUE PGT42 FINALE (pleine) 72.5X24   |              |            | 02/11    | 1                 | 110,60                   |  |  |
| 3     | 60001727  |             | PLAQUE FINALE (pleine) 64X18cm         |              | 02/11      |          | 1                 | 83,80                    |  |  |
| 4     | 60001672  |             | PURGEUR AUTOMATIQUE                    |              |            |          | 1                 | 30,30                    |  |  |
| 5     | 60001674  |             | ROBINET REGLABLE DN32                  |              |            |          | 1                 | 99,00                    |  |  |
| 6     | 60001664  |             | POMPE ROUGE UPS 32-80                  | 60001740     |            | 02/11    | 1                 | 856,40                   |  |  |
| 6     | 60001735  |             | POMPE TP 32-90 BQQE                    |              | 02/11      |          | 1                 | 1 968,50                 |  |  |
| 6     | 60001737  |             | POMPE TPD 32-80 BQQE                   |              | 02/11      |          | 1                 | 5 901,60                 |  |  |
| 7     | 60001670  |             | SONDE / DOIGT DE GANT                  |              |            |          | 1                 | 80,30                    |  |  |
| 8     | 60001671  |             | MANOMETRE 0-->10 Bars Hrz              |              |            |          | 1                 | 99,40                    |  |  |
| 9     | 60001676  |             | INTERRUPTEUR ON/OFF MONO               |              |            |          | 1                 | 80,30                    |  |  |
| 10    | 60001678  |             | CONTACTEUR NO 3-4                      |              |            |          | 1                 | 61,70                    |  |  |
| 11    | 60001679  |             | SUPPORT VOYANT VERT DEL 220V           |              |            |          | 1                 | 61,70                    |  |  |
| 12    | 60001681  |             | VOYANT BLANC 220V                      |              |            |          | 1                 | 31,50                    |  |  |
| 13    | 60001675  |             | BOITIER ELECTRIQUE                     |              |            |          | 1                 | 202,50                   |  |  |
| 15    | 60001193  |             | PORTE FUSIBLE                          |              |            |          | 1                 | 19,10                    |  |  |
| 16    | 60001689  |             | FUSIBLE 1A gG 10X38                    |              |            |          | 1                 | 12,30                    |  |  |
| 17    | 60001688  |             | ROBINET DN 20 FF 20/27                 |              |            | 02/11    | 1                 | 18,70                    |  |  |
| 17    | 60001728  |             | ROBINET 15 MF 15/21                    |              | 02/11      |          | 1                 | 18,70                    |  |  |
| 18    | 60001669  |             | RACCORD ANTI-RETOUR SOCLA DN 32        |              |            |          | 1                 | 80,30                    |  |  |
| 20    | 60001673  |             | SOUPAPE DE SECURITE 7 BARS             |              |            |          | 1                 | 99,00                    |  |  |
| 21    | 60001682  |             | DISJONCTEUR 2A                         |              |            |          | 1                 | 61,70                    |  |  |
| 22    | 60001683  |             | DISJONCTEUR 10A                        |              |            |          | 1                 | 74,50                    |  |  |
| 23    | 60001668  |             | ROBINET DN 32 FF 33/42                 |              |            |          | 1                 | 31,50                    |  |  |
| 24    | 60001680  |             | VOYANT ROUGE 220V                      |              |            |          | 1                 | 61,70                    |  |  |
| 25    | 60001677  |             | VOYANT POUSSOIR VERT                   |              |            |          | 1                 | 61,70                    |  |  |
| 26    | 60001659  |             | RELAIS RCL 424730 220V 2RT             |              |            |          | 1                 | 19,80                    |  |  |
| 27    | 60001684  |             | CONTACTEUR 230V                        |              |            |          | 1                 | 82,70                    |  |  |
| 28    | 60001685  |             | SUPPORT RELAIS SRC-1 2RT               |              |            |          | 1                 | 12,90                    |  |  |
| 29    | 60001686  |             | BOITIER CONNECTION T BOX (3087261)     |              |            |          | 1                 | 2 444,70                 |  |  |
| 30    | 60001665  |             | POMPE SIMPLE NOIR TP 25-50             |              |            | 02/11    | 1                 | 1 556,00                 |  |  |
| 30    | 60001667  |             | POMPE DOUBLE TPD 32-60 BUBE            |              |            | 02/11    | 1                 | 2 560,30                 |  |  |
| 30    | 60001742  |             | POMPE TPD 32-60 BUBE                   | 60001667     | 02/11      |          | 1                 | 2 560,30                 |  |  |
| 31    | 60001687  |             | MODULE D'ALIMENTATION                  |              |            |          | 1                 | 428,20                   |  |  |
| 32    | 60001729  |             | ROBINET 10 MF 12/17                    |              |            |          | 1                 | 18,70                    |  |  |
| 33    | 60001730  |             | ROBINET                                |              |            |          | 1                 | 6,40                     |  |  |
| 34    | 60001731  |             | ROBINET 32 MF 33/42                    |              |            |          | 1                 | 21,00                    |  |  |
| 35    | 60001732  |             | BOUCHON M 15/21                        |              |            |          | 1                 | 4,50                     |  |  |
| 36    | 60001733  |             | TRANSFORMATEUR                         |              |            |          | 1                 | 244,40                   |  |  |
| 37    | 60001744  |             | POMPE TP 32-90 BUBE                    |              |            |          | 1                 | 1 765,00                 |  |  |
| 38    | 60001745  |             | PURGEUR                                |              |            |          | 1                 | 69,90                    |  |  |
| 39    | 60001746  |             | RACCORD ANTI-RETOUR                    |              |            |          | 1                 | 143,20                   |  |  |