

SPARE PARTS EXPLODED VIEW ACCESSORIES FOR CONTROLLERS

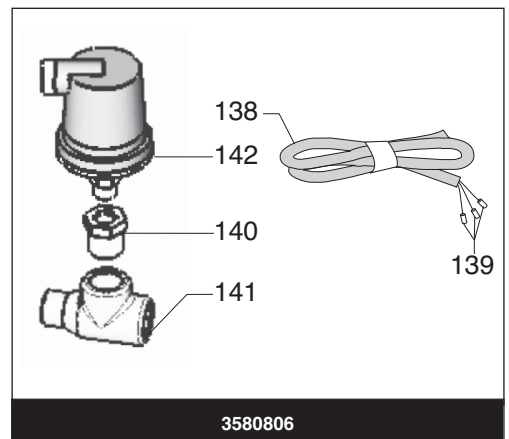
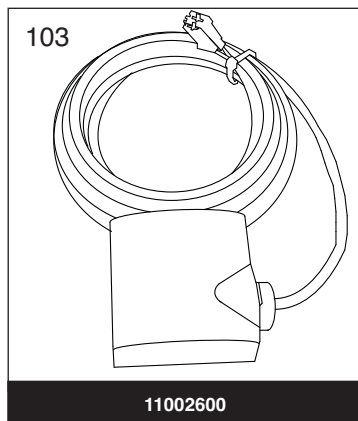
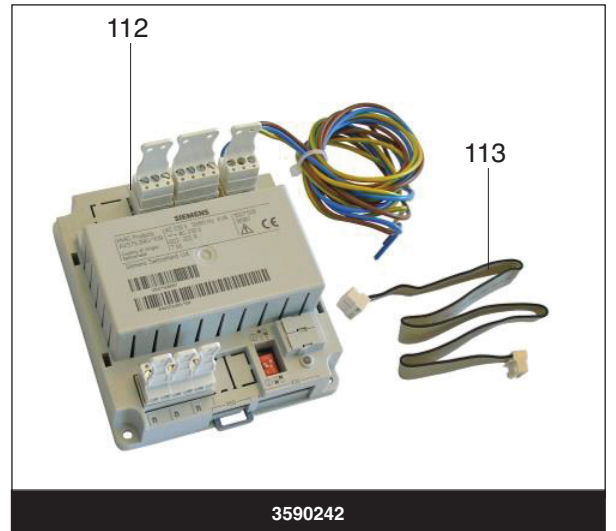
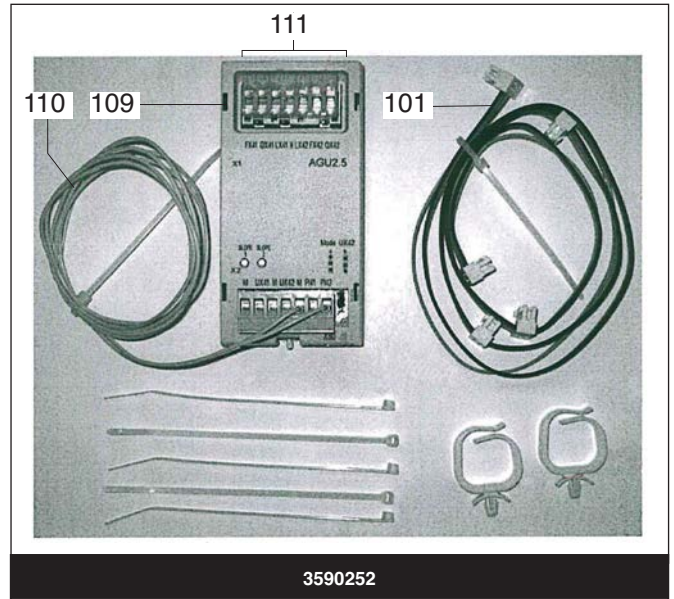
Model

CONTROLS

R8217729-04 - 09/05/2019

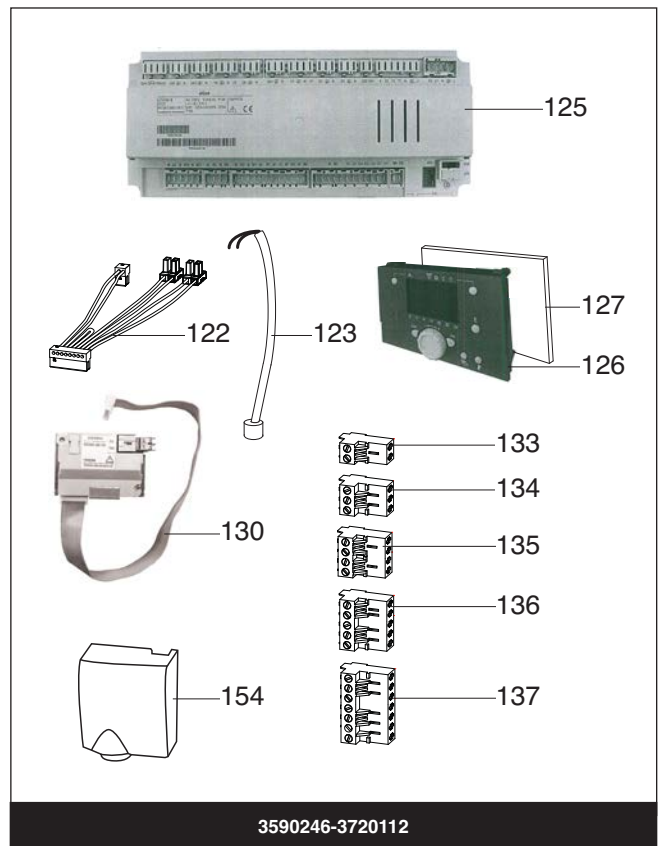
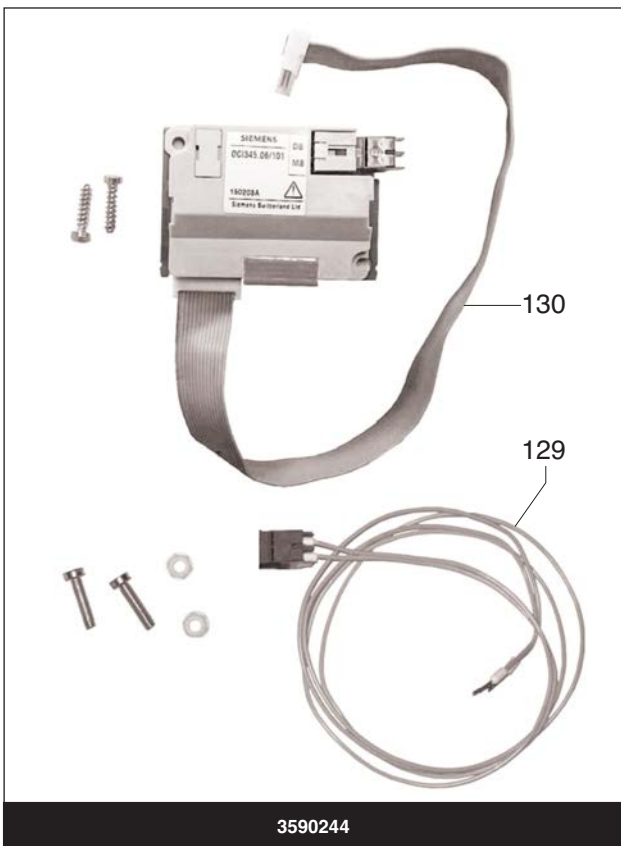
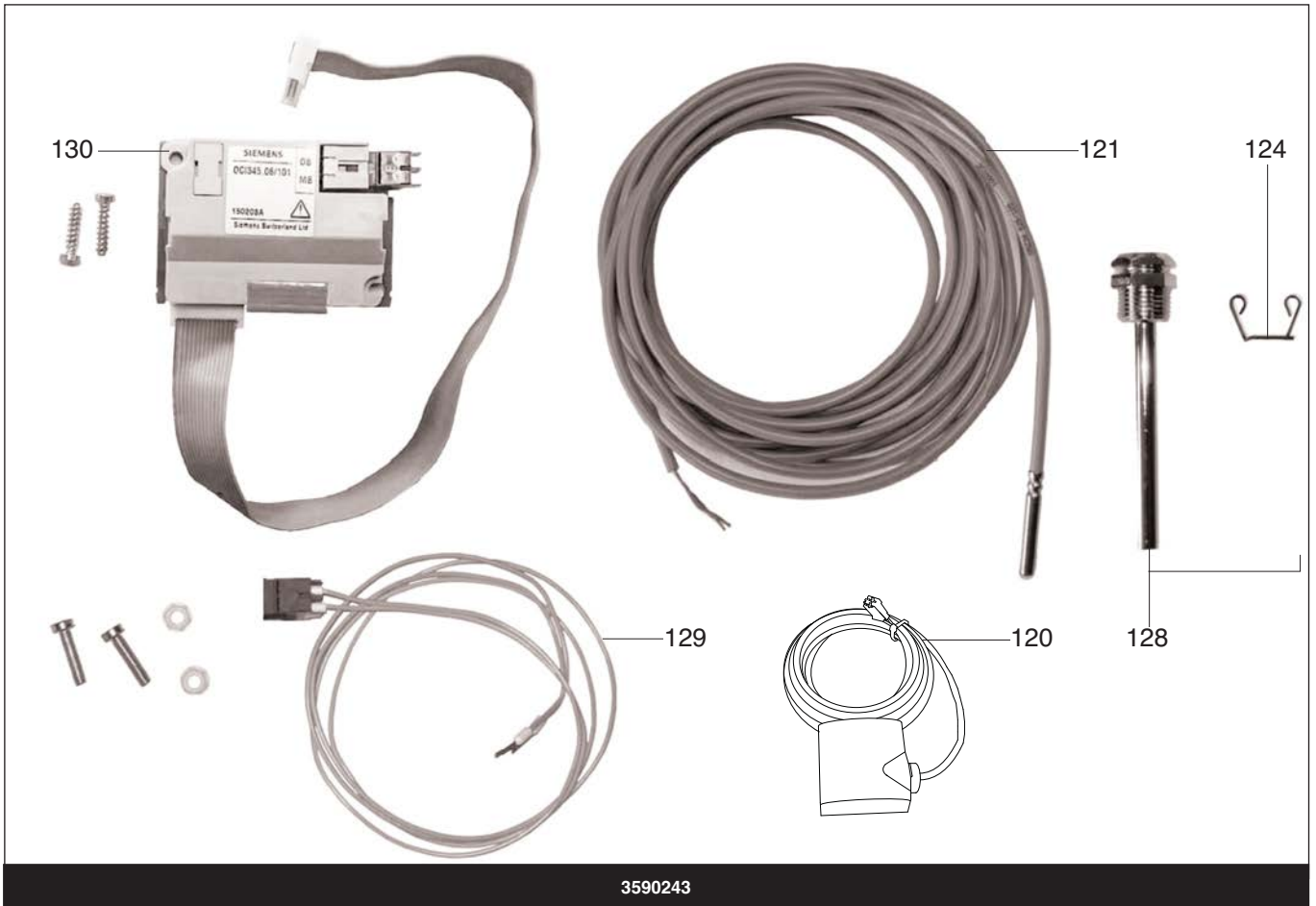
1	3590251	EXTENSION MODULE AGU2.550	06-2014	-
2	3590252	EXTENSION MODULE AGU2.551 FOR 0-10V	03-2011	-
3	171237	OUTDOOR SENSOR QAC34.101	05-2006	-
4	171238	TEMP-F_HLER QAZ36 D6X45-2000 M.STECKER	09-2010	-
5	12081759	HEADER/HOT WATER SENSOR QAZ36 CABLE 6M	06-2014	-
6	11002600	ZONE SENSOR QAD36.201 WITH 4M CABLE	01-2011	-
7	3590243	CASCADE KIT MASTER LMS	06-2014	-
8	3590244	CASCADE KIT SLAVE LMS	06-2014	-
9	3590246	RVS63.283/360 CONTROLLER + WALL HUNG BOX	05-2014	-
10	3590242	EXTENSION MODULE AVS75.390/101	08-2010	-
10	3590813	EXTENSION MODULE AVS75.390/101 TR-XXL	09-2018	-
11	3580806	KIT MIN. WATER PRESSURE SWITCH TRIGON L	09-2008	-
12	3720112	KIT LOGON B G2Z2/360 TRIGON L	08-2011	-
13	3590507	EXTERNAL HIGH LIMIT THERMOSTAT R3XXX	07-2013	-
13	3590773	EXT. HIGH LIMIT THERMOSTAT TRIGON XXL	09-2018	-
14	3590702	ROOM FAN + EXT. GAS VALVE TR-XL	03-2017	-
14	3590802	ROOM FAN + EXT. GAS VALVE TR-XXL	09-2018	-
15	3590475	RVS63 WALL HUNG BOX RDC	09-2013	-
15	3590468	RVS63 + WALL HUNG BOX EU	09-2013	-
16	3318642	INTERFACCIA BUS CASCATA THW-SIEMENS	09-2013	-
17	3590505	E8 ZONE MANAGER R3XXX	07-2013	-
17	3590506	KKM8 CASCADE MANAGER R3XXX	07-2013	-
18	12009632	KIT BM8 R3400-R3600	12-2008	07-2013

Col	Reference	Model type	Begin	End
-----	-----------	------------	-------	-----

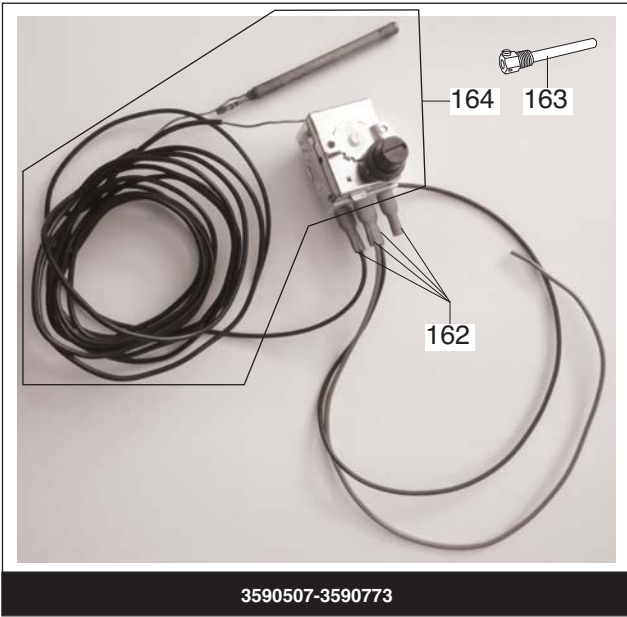


EXT MOD AGU2.550-3590251
 EXT MOD AGU2.551-3590252
 OUT. SENSOR-171237
 HOT WAT. SENSOR-171238
 HOT WAT. SENSOR-171238
 ZONE SENSOR-17281759
 CASCADE KIT-3590243
 RVS63.2832060-3590244
 ADD MODULE-3590246
 MIN WAT. PRES. SWITCH-3590813
 HEATER CONTROL-3720112
 ROOM FAN-3890773
 RVS65-HW BOX-3890475-668
 BUS INTERFACER-2009632
 ZONE MANAGER-12009632
 KIT KAMR-2510510558

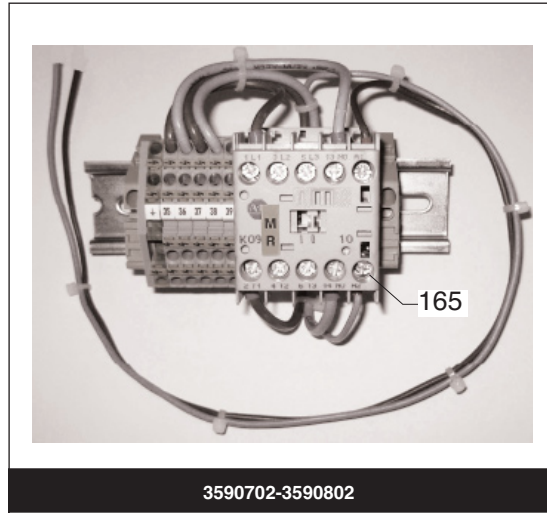
☉⇒	Description	Manf. Pt. N	Type	<div style="border: 1px solid black; padding: 2px; display: inline-block;"> </div>																	
				1	2	3	4	5	6	7	8	9	10	11	12	13	14	15	16	17	18
0101	CABLE (/AVS37.394-AGU2.551)	64201621		•	•																
0102	OUTDOOR SENSOR	65105787				•															
0103	PROBE QAD36.201	64202153								•											
0106	PROBE QAZ36.526/109 L:6 M	64202152									•										
	SENSOR QAZ36.522/109 L:2 M	65116407									•										
0107	SPRING	17006766									•										
0108	PROBE SHEATH 1/2 D:7.2 L:100mm	64200062									•										
0109	CLIP-IN AGU2.550A109	64202133		•																	
	CLIP-IN AGU2.551A109 (0-10V)	64201608									•										
0110	CABLES PRESSURE SWITCH	64202909									•										
	CABLES RELAY	64202910									•										
0111	CONNECTOR SET EXTENSION MODULE AGU2.550	64203017		•																	
	CONNECTOR SET EXTENSION MODULE AGU2.551	64203018									•										
0112	MODULE AVS75.390/101	64201619										•									
0113	CABLE (/AVS37.394)	64201726										•									
0138	CABLE 3X0.75 mm2 (L:10m)	64210210											•								
0139	CABLE CONNECTOR IS-1507-FL	17007459											•								
0140	REDUCING BUSH 1/2X1/4 in	64202099											•								
0141	T-PIECE 1/2" 2 X BI 1"	64202734											•								
0142	PRESSURE SWITCH HUBA 625.9978 (MIN)	64201242											•								



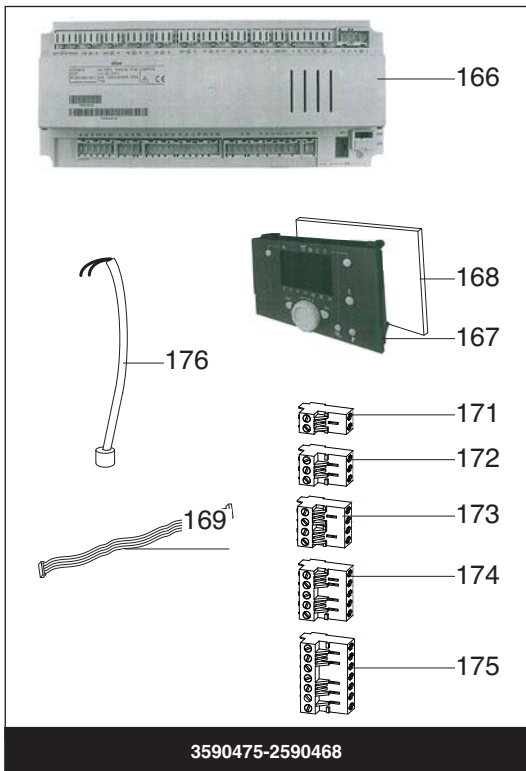
☉⇒	Description	Manf. Pt. N	Type	EXT.MOD.AQUJ-350-3500251 EXT.MOD.AQUJ-351-3500252 OUT-SENSOR-171237 HOT.WAT.SENSOR-171238 ZONE.SENSOR-17281759 CASCADE.KIT-3500243 RVS63.283260-3500246 ADD.MODULE-3500244 MIN.WAT.PRES.SWITCH-3500245 HEATER.CONTR-3720112 ROOM.FAN-380102-802 RVS63.HV.BOX-380102-802 BUS.INTERFACE-3318842 ZONE.MANAGER-2009832 KIT.KKMR-2500518/508																		
				1	2	3	4	5	6	7	8	9	10	11	12	13	14	15	16	17	18	From
0120	PROBE QAD36.201	64202153																				
0121	PROBE QAZ36.526/109 L:6 M	64202152						●														
0122	CABLE (/AVS37.394)	64201726								●			●									
0123	STRAIN RELIEF	12002501								●												
0124	SPRING	17006766						●														
0125	CONTROLLER RVS63.283-360	64201644								●			●									
0126	HMI AVS37.294/160	65116405								●			●									
0127	HOOK BOX HMI	64202142								●			●									
0128	PROBE SHEATH 1/2 D:7.2 L:100mm	64200062						●														
0129	CABLES PRESSURE SWITCH	64202909						●	●													
0130	BUS INTERFACE OCI345.06/101 CLIP - IN (OCI 420)	65116404 65105509						●	●	●												
0133	2-PIN PLUG LUMBERG 3618-1 02 K70	12049540								●			●									
	2-POLE SOCKET LUMBERG 3615-1 02 K03	12049496								●			●									
	2-POLE SOCKET LUMBERG 3615-1 02 K09	12049452								●			●									
	2-POLE SOCKET LUMBERG 3615-1 02 K14	12049463								●			●									
	2-POLE SOCKET LUMBERG 3615-1 02 K15	12049485								●			●									
	2-POLE SOCKET LUMBERG 3615-1 02 K35	12049474								●			●									
	CABLE 2 POLES	12049507								●			●									
	PLUG LUMBERG 3615-1 02 K 12	65116503								●			●									
0134	CONNECTOR 3 POLES LUMBERG 3618-1 03 K141	12046350								●			●									
0135	CABLE 4 POLES PLUG 4P VM LOGON B	12078118 12046361								●			●									
0136	5-PIN SOCKET LUMBERG 3615-1 05 K27	12049518								●			●									
0137	7-PIN SOCKET 3618-1 07 K03 LUMBERG	12049529								●			●									
0154	PROBE QAD36.101	64202154											●									



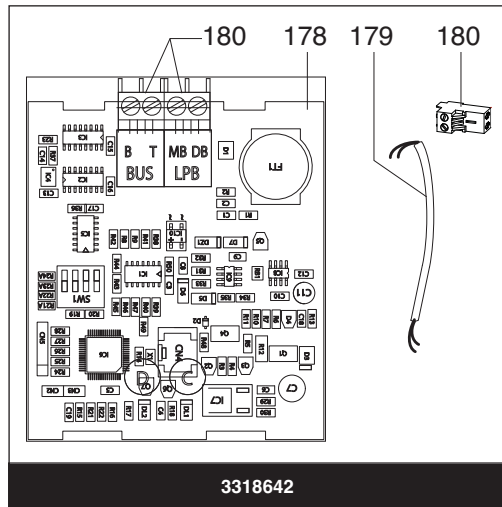
3590507-3590773



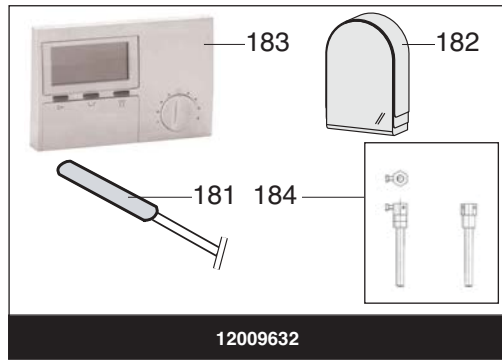
3590702-3590802



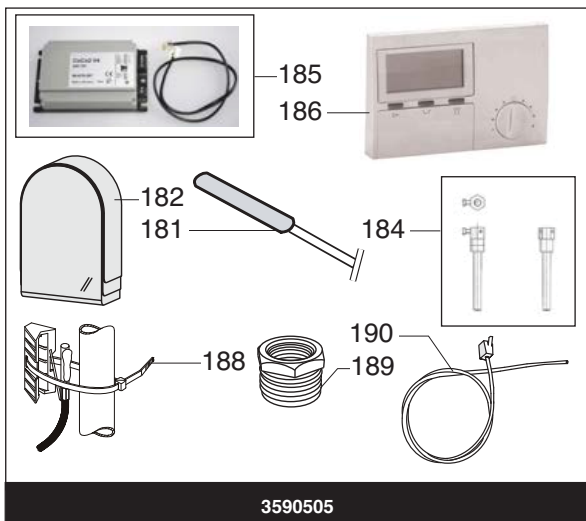
3590475-2590468



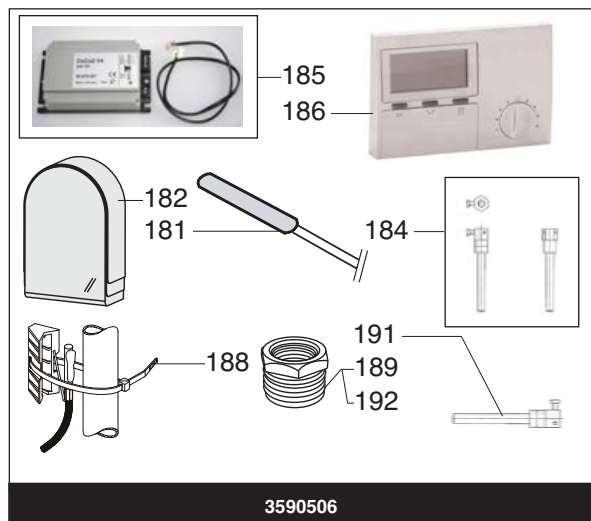
3318642



12009632



3590505



3590506

EXT. MOD. AQUA-350-3590251	EXT. MOD. AQUA-350-3590252	OUT. SENSOR-350-3590232	HOT WAT. SENSOR-171237	HOT WAT. SENSOR-171238	ZONE SENSOR-12281759	CASCADE KIT-3500243	RVS63-2832360-3590246	ADD. MODULE-3500244	MIN. WAT. PRES. SWITCH-3590013	HEATER CONTROL-3720112	ROOM FAN-3590173	RVS63-HW BOX-3590475-668	BUS INTERFACE-3311842	ZONE MANAGER-2009632	KIT KKM8-2832360-3590518-596
----------------------------	----------------------------	-------------------------	------------------------	------------------------	----------------------	---------------------	-----------------------	---------------------	--------------------------------	------------------------	------------------	--------------------------	-----------------------	----------------------	------------------------------

Description	Manf. Pt. N	Type	31																	
			1	2	3	4	5	6	7	8	9	10	11	12	13	14	15	16	17	18
0162 CABLE CONNECTOR IS-1507-FL	17007459																•			
0163 SHEATH	4478694220																•			
0164 THERMOSTAT IMIT LS1 + CAPILLAR L:3m	64300004																•			
0165 RELAY ALAN BRADLEY 100-K09-KF10	64201538																•			
0166 MODULE HMI RVS63	64202522																•			
0167 MODULE HMI 12 LANGUAGES V7.6	64203519																•			
0168 HOOK BOX HMI	64202142																•			
0169 CABLE (/AVS37.394)	64201726																•			
0171 2-PIN PLUG LUMBERG 3618-1 02 K70	12049540																•			
2-POLE SOCKET LUMBERG 3615-1 02 K03	12049496																•			
2-POLE SOCKET LUMBERG 3615-1 02 K09	12049452																•			
2-POLE SOCKET LUMBERG 3615-1 02 K14	12049463																•			
2-POLE SOCKET LUMBERG 3615-1 02 K15	12049485																•			
2-POLE SOCKET LUMBERG 3615-1 02 K35	12049474																•			
CABLE 2 POLES	12049507																•			
PLUG LUMBERG 3615-1 02 K 12	65116503																•			
0172 CONNECTOR 3 POLES LUMBERG 3618-1 03 K141	12046350																•			
0173 CABLE 4 POLES	12078118																•			
PLUG 4P VM LOGON B	12046361																•			
0174 5-PIN SOCKET LUMBERG 3615-1 05 K27	12049518																•			
0175 7-PIN SOCKET 3618-1 07 K03 LUMBERG	12049529																•			
0176 STRAIN RELIEF	12002501																•			
0178 P.C.B. (BUS-CASCADE INTERFACE)	65114164																•			
0179 WIRING (INTERFACE TWH-SIEMENS)	65114172																•			
0180 CONNECTOR 2P	65111933																•			
0181 PROBE SPFS&KFS	64921172																	•		
0182 PROBE KKM8 OU E8	64921170																	•		
0183 MODULE BM8	64200788																	•		
0184 PROBE SHEATH 1/2 D:7.2 L:100mm	64200062																	•		
0185 INTERFACE DE COM. COCO 2	64200564																	•		
0186 E8 CONTROLLER	65000252																	•		
MODULE KKM8	65000251	KKM8																•		
0187 PROBE SPFS&KFS	64921172																	•		
0188 PROBE VFAS	64921173																	•		
0189 REDUCING BUSH F1/2 M3/4	64202111																	•		
0190 CABLE COCO-CONTROLLER E8/KKM8	64203060																	•		
0191 PROBE SHEATH 1/2 D:7.2 L:200mm	17006755	KKM8																•		
0192 REDUCING BUSH 3/4X1/2 in	64202101	KKM8																•		

LIST OF THE ABBREVIATIONS

HW	: Hot water.
CW	: Cold water.
C	: Ceramic resistance (normal heating).
Ca	: Ceramic resistance (accelerated heating)
TP	: Immersion heater.
1F	: With fittings.
2F	: Without fittings.
3F	: With fittings and another outlet connection.
AMI	: With mixing valve.
SMI	: Without mixing valve.
PUISS	: Power of th appliance.
PN	: Appliance with normal pression.
LP	: Appliance with low pression.
PV	: Appliance with variable power.
PF	: Appliance with fixed power.

The indications mentioned on the prices, commercial or technical literature and the scheme are written for your guidance and are available at a given time. The CONSTRUCTOR retains the power to modify the presentation, the form, the size, or the conception or the material of the products.
