

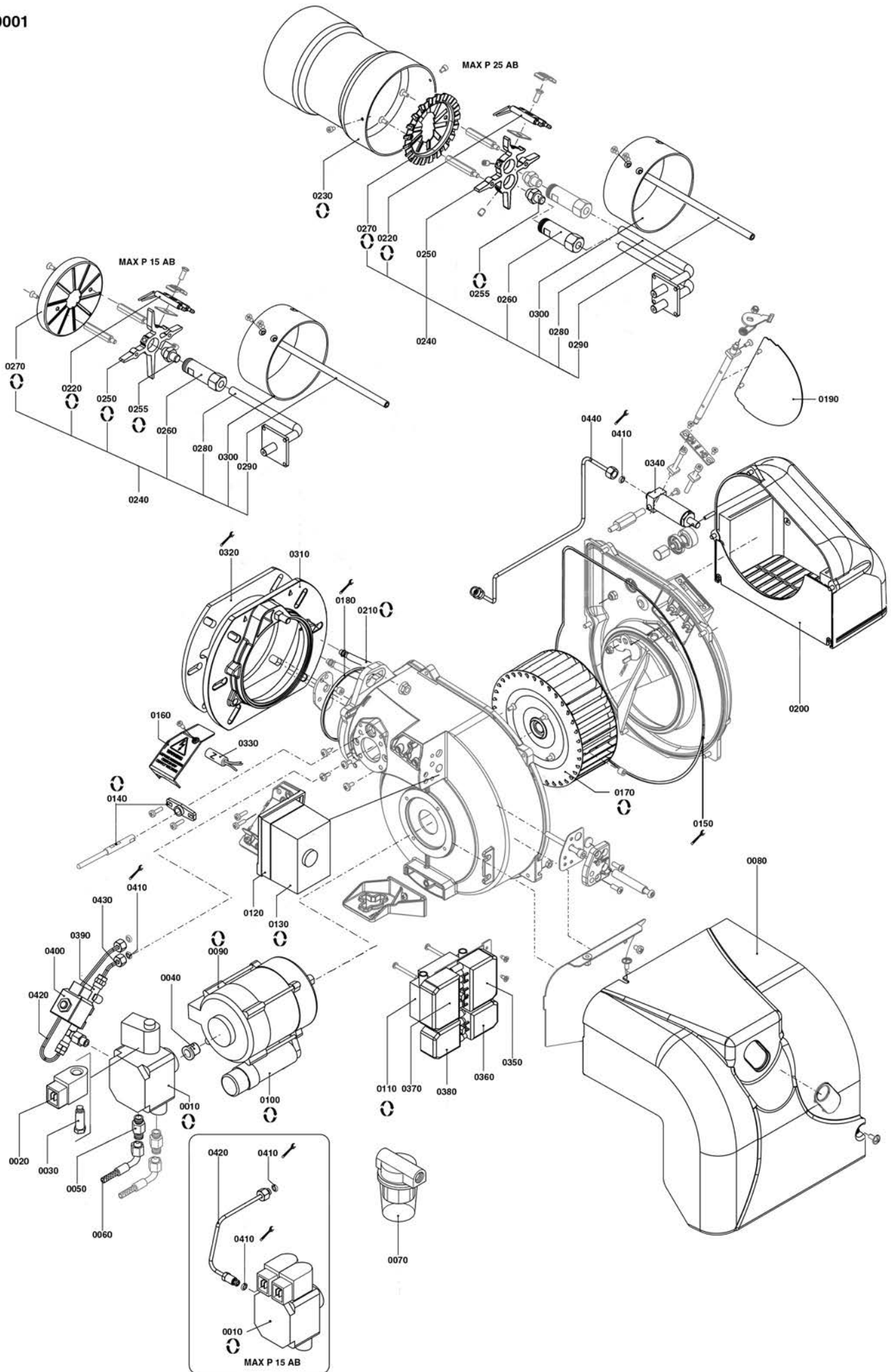
## SPARE PARTS EXPLODED VIEW OIL BURNER

Model

**MAX P 15-25 AB HS (L+S)**

R8220212-01 - 11/01/2018

<b>1</b>	3122708	MAX P 15 AB HS TC (L+S) 230 V 50 Hz	02-2010	-
<b>2</b>	3122709	MAX P 15 AB HS TL (L+S) 230 V 50 Hz	02-2010	-
<b>3</b>	3122710	MAX P 25 AB HS TC (L+S) 230 V 50 Hz	01-2010	-
Col	Reference	Model type	Begin	End

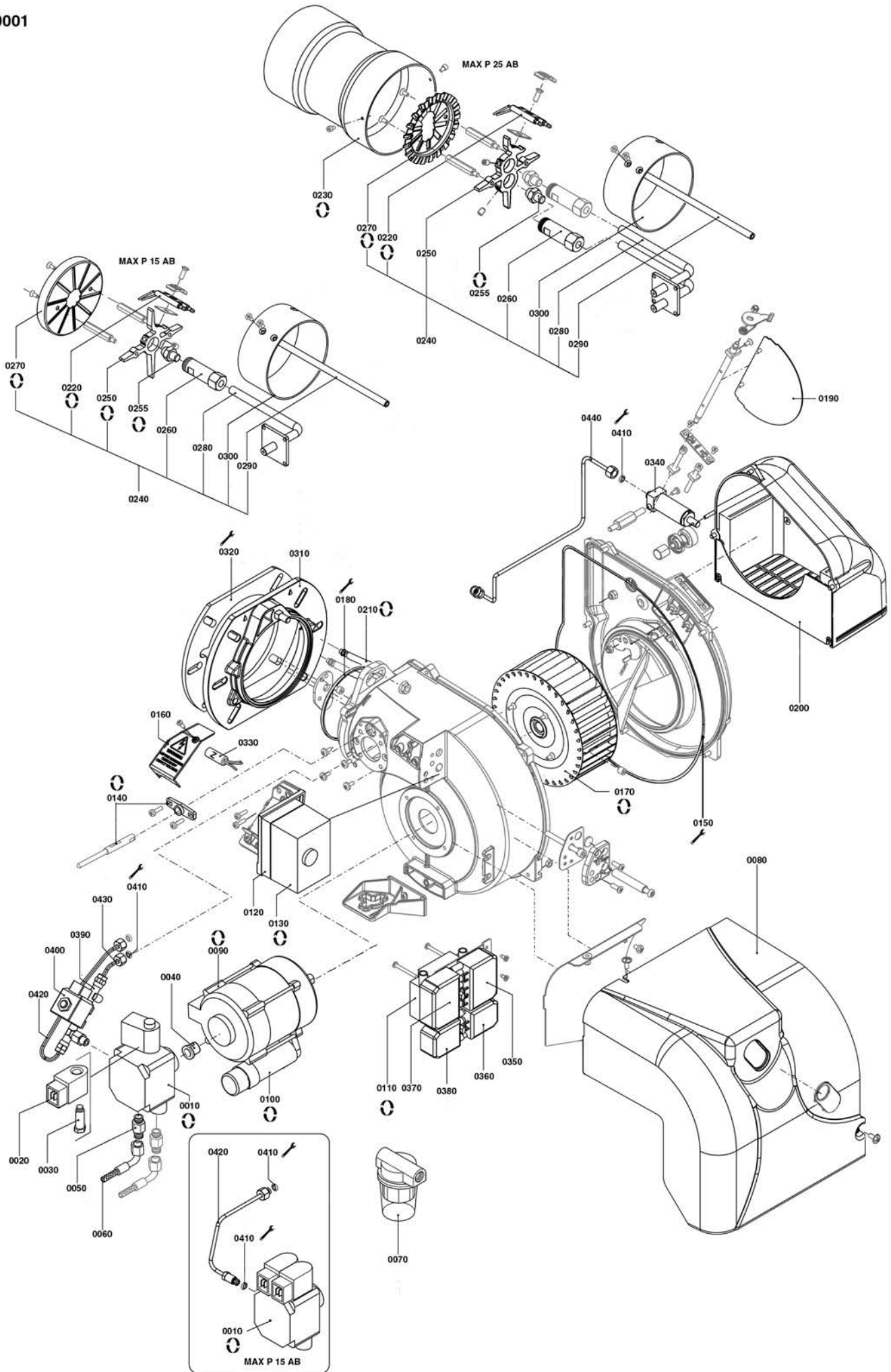





0001

MAX P 15-25 AB HS (L+S)

Oil burner



☰	Description	Manf. Pt. N	Type	MAX P 15 AB HS TC MAX P 15 AB HS TL MAX P 25 AB HS TC																			
				1	2	3	4	5	6	7	8	9	10	11	12	13	14	15	16	17	18	From	to

5000	ACCESSORY																						
5001	NOZZLE DAN 1,00GPH 60° S	13016088				●																	
	NOZZLE DAN 1,10GPH 60° S	13016084				●																	
	NOZZLE DAN 1,25GPH 60° S	13016083				●																	
	NOZZLE DAN 1,35GPH 60° S	13016085			●	●																	
	NOZZLE DAN 1,50GPH 60° S	13016086			●	●	●																
	NOZZLE DAN 1,65GPH 60° S	13023128			●	●	●																
	NOZZLE DAN 1,75GPH 60° S	13016087			●	●	●																
	NOZZLE DAN 2,00GPH 60° S	13016092			●	●	●																
	NOZZLE DAN 2,25GPH 60° S	13016089			●	●	●																
	NOZZLE DAN 2,50GPH 60° S	13016090			●	●	●																
	NOZZLE DAN 2,75GPH 60° S	13016091			●	●	●																
	NOZZLE DAN 3,00GPH 60° S	13016094			●	●	●																






# MAX P 15-25 AB HS

[www.colson-burners.com](http://www.colson-burners.com)

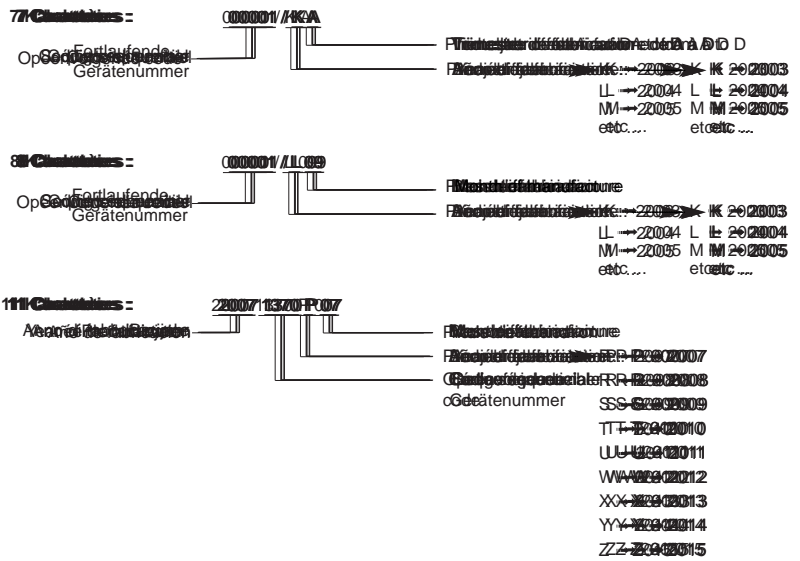


## REVISIONI E INFORMAZIONI QUENZZATE

-  = ~~Manutenzione / Manutenzione / Maintenance~~  
= ~~Reparazione / Reparatur / Réparation~~
-  = ~~Manutenzione / Manutenzione / Maintenance~~  
= ~~Reparazione / Reparatur / Réparation~~
-  = ~~Manutenzione / Manutenzione / Maintenance~~  
= ~~Reparazione / Reparatur / Réparation~~  
= ~~Manutenzione / Manutenzione / Maintenance~~  
= ~~Reparazione / Reparatur / Réparation~~

## NUMEROSI SERIO E INQUIE

### SERIE MONDRIE



MAX P 15-25 AB HS (L+S) is a registered trademark of Colson Burners. All rights reserved. This document is the property of Colson Burners. No part of this document may be reproduced without the written permission of Colson Burners.