

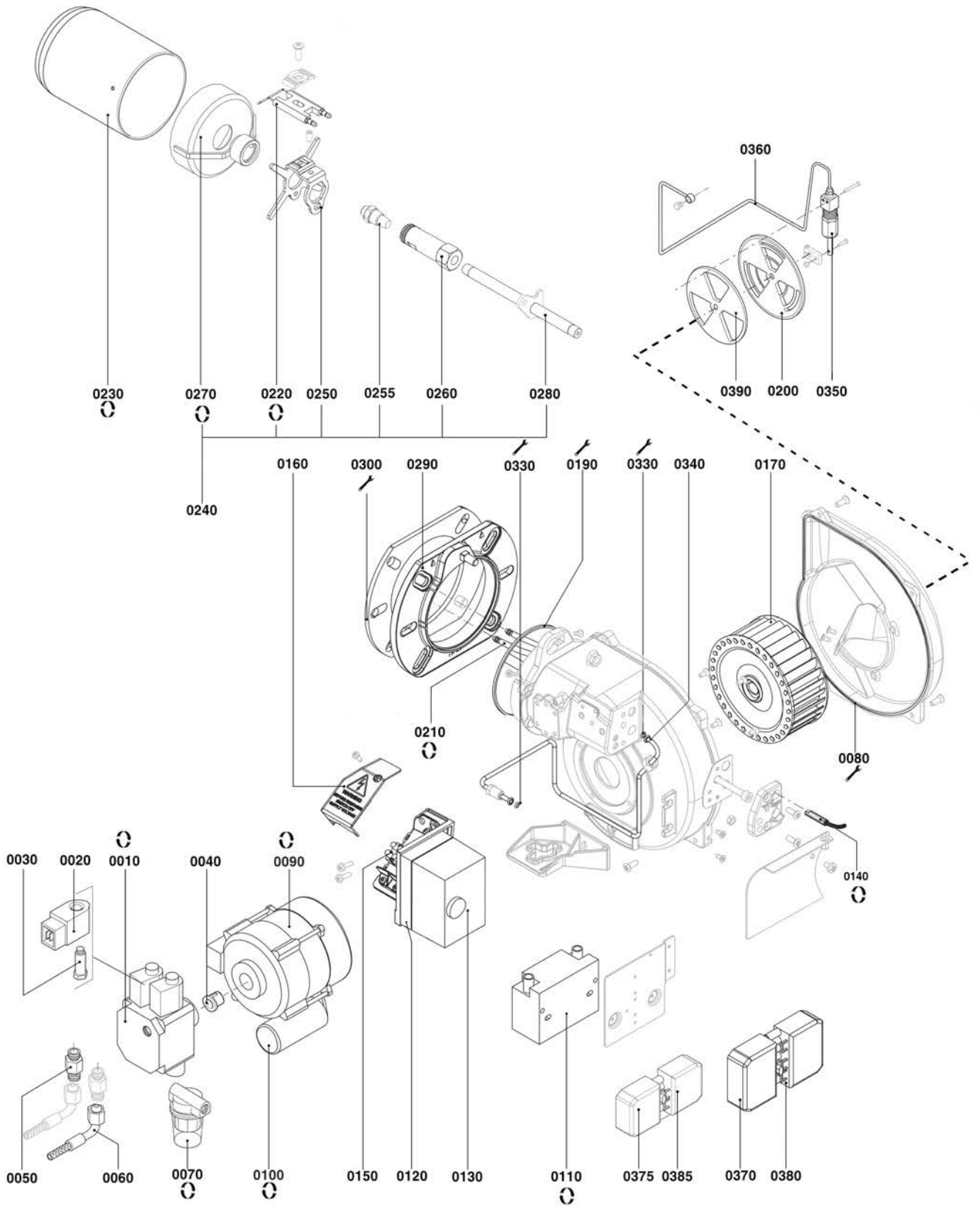
SPARE PARTS EXPLODED VIEW OIL BURNER

Model

MAX 4 AB HS (L+S)

R8220201-01 - 03/04/2017

1	3140981	MAX 4 AB HS TC (L+S)	230 V 50/60 Hz	10-2009	-
2	3140982	MAX 4 AB HS TL (L+S)	230 V 50/60 Hz	10-2009	-
Col	Reference	Model type		Begin	End



MAX 4 AB HS7C (L+S)
 MAX 4 AB HS7L (L+S)

31

☉	Description	Manf. Pt. N	Type	MAX 4 AB HS7C (L+S) / MAX 4 AB HS7L (L+S)																		
				1	2	3	4	5	6	7	8	9	10	11	12	13	14	15	16	17	18	From
0001	BURNER BODY																					
0010	OIL PUMP AT3V 45 A	65325120		●	●																	
0020	COIL SUN PUMP AS47-AL35 220V	65323767		●	●																	
0030	CORE/SOLEN. VALVE P. SUN AS47-67-AT2	65323744		●	●																	
0040	COUPLING D18/14,7/11X22 PUMP/MOTOR	65322920		●	●																	
0050	UNION G1/4-1/4/OIL HOSE TN6X700	65321179		●	●																	
0060	OIL HOSE TN 6X700 3/8 G/BIS 1/4" K	65323189		●	●																	
0070	OIL FILTER 3/8 70451/006AGE VITON	65325046		●	●																	
0080	GASKET D2,5 L640 EPDM	65323876		●	●																	
0090	MOTOR 0,075KW230V D12,7 F120 Oil	65322867		●	●																	
0100	CAPACITOR 3µF 2P 3mm	65325037	AEG	●	●																	
	CAPACITOR 5µF 2P 3mm	65325038	SIMEL	●	●																	
0110	IGNITION TRANSFO. TRK31 30CHD230V	65324966		●	●																	
0120	PLUG-IN BASE/CONTROL UNIT LOA LGB-AGK11	65320092		●	●																	
0130	CONTROL UNIT LOA 24.171 B2EM	65320028		●	●																	
0140	PHOTOCELL QRB 1A A050B70A2 BLACK	65320076		●	●																	
0150	TERMINAL STRIP 4P. HOUS. D180 1F	65322076		●	●																	
0160	COVER TERMINAL	65320663		●	●																	
0170	FAN WHEEL D120 X50 D12,7	65321770		●	●																	
0190	O-RING D100X2	65321061		●	●																	
0200	AIR FLAP	65324964		●	●																	
0210	IGNITION CABLE D4/D4 L300	65320933		●																		
	IGNITION CABLE D4/D4 L350	65320934			●																	
0220	ELECTRODE BLOCK 25X40 D4 D2X25 45°	65320924		●	●																	
0230	FLAME TUBE D89/79 L111 SP10/20	65320325		●																		
	FLAME TUBE D89/79 L168 SP20/10	65320327			●																	
0240	FIRING HEAD MAX 4 TC	65322554		●																		
	FIRING HEAD MAX 4 TL	65322555			●																	
0250	CROSSPIECE OIL HOUS. D100-125 HOLDER	65320687		●	●																	
0255	NOZZLE DAN 0,85GPH 60° S	13016082		●	●																	
0260	NOZZLE CARRIER D18,3X60 HEX.19	65320707		●	●																	
0270	BAFFLE PLATE D80/24/59 4SL 4 BUG.	65320747		●	●																	
0280	ROD NOZZ. LINE+PLATE D10/3 L141-83 G1/8	65320181		●																		
	ROD NOZZ. LINE+PLATE D10/3 L198-140 G1/8	65320182			●																	
0290	BURNER FLANGE D99 HOUS. D120	65320968		●	●																	
0300	GASKET/BURNER FLANGE 170X137X5 D105	65321104		●	●																	
0330	GASKET/OIL TUBE-BUSH D8,5/3,5X1,5	65321065		●	●																	
0340	TUBE D4X1 OIL PUMP/HEAD	65321500		●	●																	
0350	OIL JACK HOUS. D. 180	65322331		●	●																	
0360	TUBE D4X183 CURVED/HYDRAULIC JACK	65321510		●	●																	
0370	WIELAND PLUG 7P	65322069		●	●																	
0375	WIELAND PLUG 4P	65322065		●	●																	
0380	WIELAND SOCKET 7P	65322070		●	●																	
0385	WIELAND SOCKET 4P COVER GREEN	65322068		●	●																	
0390	FLAP INTERNAL ADJUSTMENT AIR D113	65324965		●	●																	

MAX 4 AB HS (L+S)

Oil burner

