

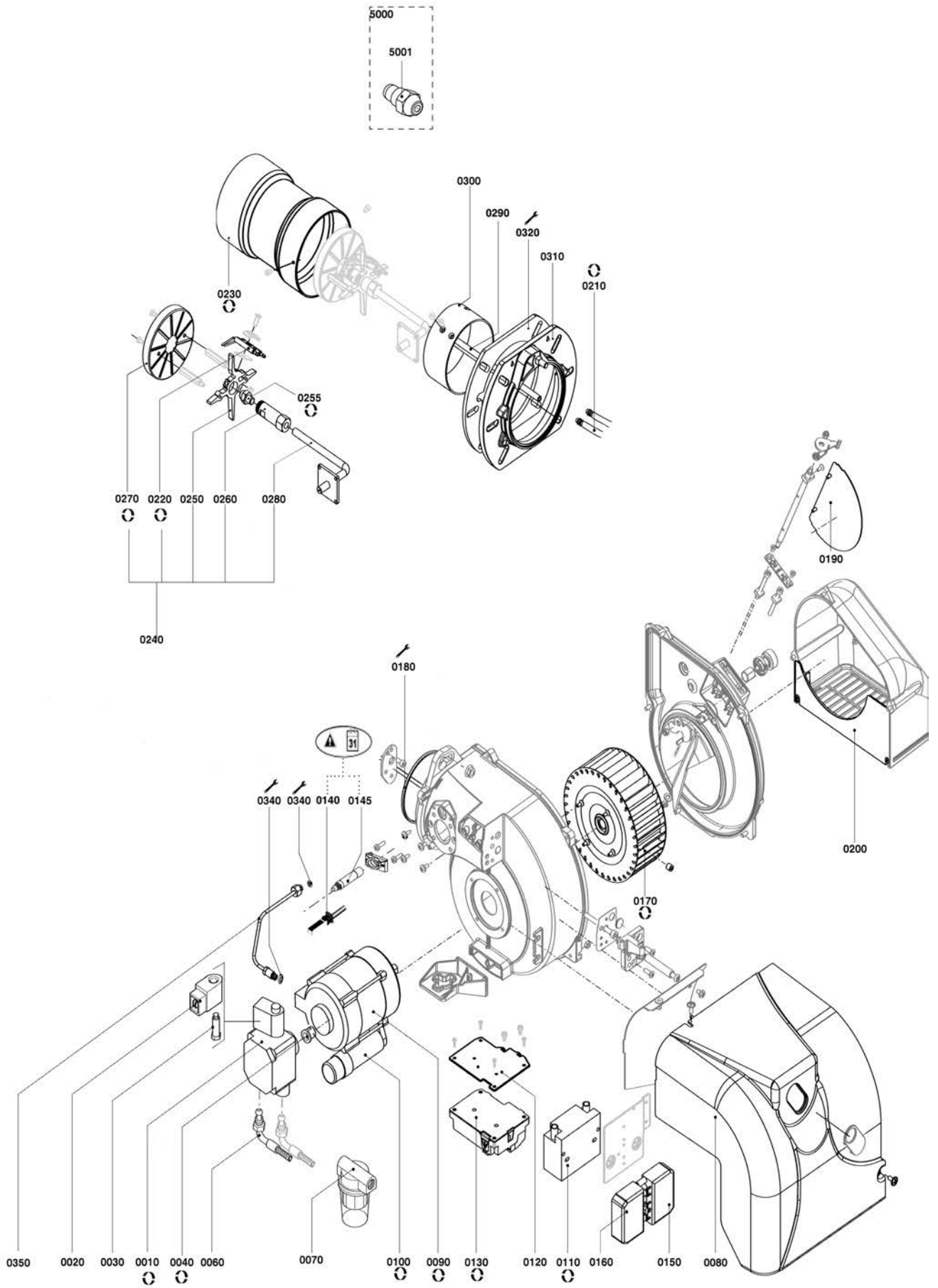
SPARE PARTS EXPLODED VIEW OIL BURNER

Model

MAX 15-20-30 (TW)

R8220187-01 - 12/12/2016

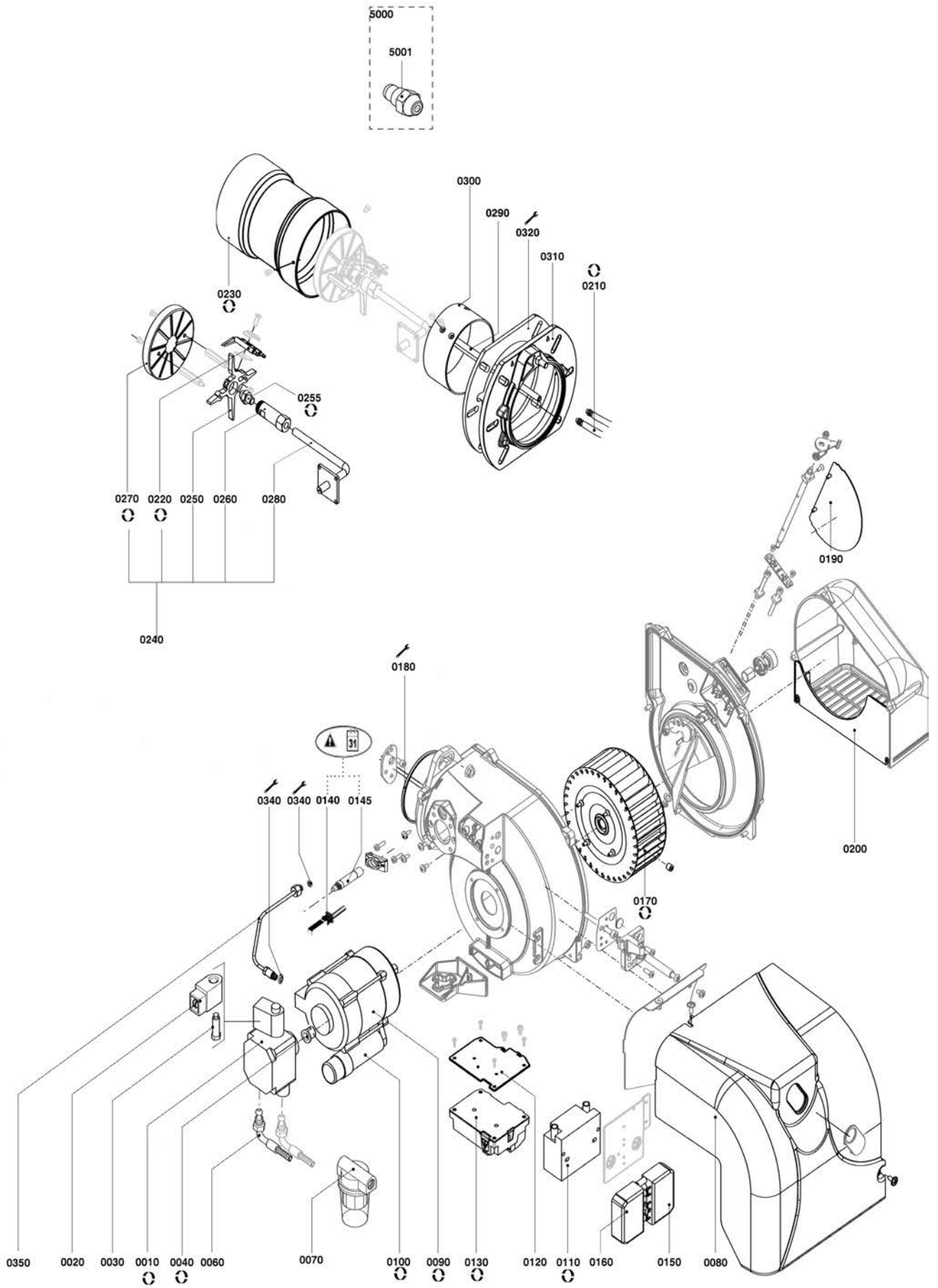
1	3142729	MAX 15 TC (TW) 230 V 50 HZ	07-2011	-
2	3142730	MAX 15 TL 230-50 TW B10	07-2011	-
3	3142731	MAX 20 TC (TW) 230 V 50 HZ	07-2011	-
4	3142732	MAX 20 TL (TW) 230 V 50 HZ	09-2011	-
5	3142733	MAX 30 TC (TW) 230 V 50 HZ	07-2011	-
6	3142734	MAX 30 TL (TW) 230 V 50 HZ	07-2011	-
Col	Reference	Model type	Begin	End



Description	Manf. Pt. N	Type	<div style="text-align: right; border: 1px solid black; padding: 2px;"> MAX 15 TC (TW) 230 V 50 HZ MAX 15 TL (TW) 230 V 50 HZ MAX 20 TC (TW) 230 V 50 HZ MAX 20 TL (TW) 230 V 50 HZ MAX 30 TC (TW) 230 V 50 HZ MAX 30 TL (TW) 230 V 50 HZ </div>																		From	to
			1	2	3	4	5	6	7	8	9	10	11	12	13	14	15	16	17	18		
0001 BURNER BODY																						
0010 OIL PUMP AS 47 V AK	65111335		•	•	•	•	•	•	•													
OIL PUMP ASV 47 A	65325111		•	•	•	•	•	•	•													
0020 COIL DAN 071N0010 230V	65323773		•	•	•	•	•	•	•													
COIL SUN PUMP AS47-AL35 220V	65323767		•	•	•	•	•	•	•													
0030 CORE/SOLEN. VALVE P. SUN AS47-67-AT2	65323744		•	•	•	•	•	•	•													
CORE/SOLEN. VALVE PUMP DAN 11R3 BF	65323751		•	•	•	•	•	•	•													
0040 COUPLING D18/14,7/11X22 PUMP/MOTOR	65322920		•	•	•	•	•	•	•													
0060 OIL HOSE NW 4 MG 1/4 MC 3/8 70	65323216		•	•	•	•	•	•	•													
0070 OIL FILTER 3/8 70451/006AGE VITON	65325046		•	•	•	•	•	•	•													
0080 COVER RED ECOFLAM MAX 15-30 1F	65325278		•	•	•	•	•	•	•													
0090 MOTOR 0,13KW230V D12,7 F0	65322873		•	•																		
MOTOR 0,2KW230V D12,7 F0	65322876		•	•																		
0100 CAPACITOR 3µF 2P 3MM	65325037	AEG	•	•																		
CAPACITOR 6,3µF 2P 3MM	13010016	AEG				•	•	•	•													
CAPACITOR 6,3µF 2P 3MM	13010016	SIMEL	•	•		•	•	•	•													
0110 IGNITION TRANSFO.26/35 ITD 2X8 230V L410	65323257		•	•																		
0120 HOLDER E-BCU+IGNITION TRANSFO.	65325251		•	•																		
0130 WIRING MAX 4/30 TW	65324167		•	•																		
0140 PHOTOCCELL MZ770 S	65105245		•	•																	06/15	
0145 PHOTOCCELL QRB1A A050B70A2 BLACK	65074153		•	•																07/15		
0150 WIELAND SOCKET 7P	65322070		•	•																		
0160 WIELAND PLUG 7P	65322069		•	•																		
0170 FAN WHEEL D160 X52 D12,7	65323819		•	•																		
FAN WHEEL D160 X62 D12,7	65323820					•	•	•	•													
0180 O-RING D100X2	65321061		•	•																		
0190 AIR FLAP MAX HOUSING D160	65321223		•	•																		
0200 AIR BOX 192X209X110 D160	65320126		•	•																		
0210 IGNITION CABLE D4/D4 L400 AP	65325264		•	•																		
IGNITION CABLE D4/D4 L500 AP	65325277					•	•		•													
0220 ELECTRODE BLOCK 25X40 d4 D2X25 45°	65320924		•	•																		
0230 FLAME TUBE D107 L180HOUS.d160	65320376		•																			
FLAME TUBE D107 L280HOUS.d160	65320377			•																		
FLAME TUBE D125/110/125/110 L180	65320396					•			•													
FLAME TUBE D125/110/125/110 L280	65320397								•		•											
0240 FIRING HEAD MAX 15/MAX 15 AB TC	65322566		•																			
FIRING HEAD MAX 15/MAX 15 AB TL	65325376			•																		
FIRING HEAD MAX 20 TC	65322567					•																
FIRING HEAD MAX 20 TL	65322568								•													
FIRING HEAD MAX 30 TC	65325374									•												
FIRING HEAD MAX 30 TL	65325375										•											
0250 HOLDER NOZZLE CARRIER A 1F MAX 15	65320692		•	•																		
HOLDER NOZZLE CARRIER A 1F MAX 20-30	65320690					•	•	•	•													
0255 NOZZLE DAN 3,00GPH 60° S	13016094		•	•																		
NOZZLE DAN 3,50GPH 60° S	13016093					•	•															
NOZZLE DAN 5,00GPH 60° S	13018354										•	•										
0260 NOZZLE CARRIER D18,3X60 HEX.19	65320707		•	•						•	•	•										
0270 BAFFLE PLATE D101/26X14 10SL	65320789					•	•															
BAFFLE PLATE D85 8SL	65326086		•	•																		
BAFFLE PLATE D95/26X10 10SL	65320790										•	•										
0280 TUBE HOLDER T.C. 1F. MAX	65320191		•	•																		
TUBE HOLDER T.L. 1F. MAX	65320192			•					•													
0290 CONNECTION ROD D8X219	65320195		•	•						•												
CONNECTION ROD D8X319	65320196			•					•													
0300 WAISTBAND D102/90X57 / SETTING AIR	65320225		•	•																		
WAISTBAND D108X57 / SETTING AIR	65320224					•	•	•	•													
0310 BURNER FLANGE D107 HOUS.D160	65320970		•	•																		
BURNER FLANGE D125 HOUS.D160	65320971					•	•	•	•													
0320 GASKET/BURNER FLANGE 202X160X6 D109	65321105		•	•																		
GASKET/BURNER FLANGE 202X160X6 D127	65321106					•	•	•	•													
0340 GASKET/OIL TUBE-BUSH D8,5/3,5X1,5	65321065		•	•																		
0350 TUBE PUMP/NOZZLE ROD D4 L88X80 90°+UNION	65321504		•	•																		

MAX 15-20-30 (TW)

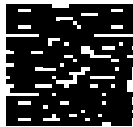
Oil burner







5000 ACCESSORY			1	2	3	4	5	6	7	8	9	10	11	12	13	14	15	16	17	18	From	to
5001	NOZZLE DAN 1,50GPH 60° S	13016086	●	●																		
	NOZZLE DAN 1,65GPH 60° S	13023128	●	●																		
	NOZZLE DAN 1,75GPH 60° S	13016087	●	●	●	●																
	NOZZLE DAN 2,00GPH 60° S	13016092	●	●	●	●																
	NOZZLE DAN 2,25GPH 60° S	13016089	●	●	●	●	●	●	●													
	NOZZLE DAN 2,50GPH 60° S	13016090	●	●	●	●	●	●	●													
	NOZZLE DAN 2,75GPH 60° S	13016091	●	●	●	●	●															
	NOZZLE DAN 3,00GPH 60° S	13016094	●	●	●	●																
	NOZZLE DAN 3,50GPH 60° S	13016093	●	●																		
	NOZZLE DAN 4,00GPH 60° S	13018355	●	●	●	●	●	●	●													
	NOZZLE DAN 4,50GPH 60° S	13018353			●	●	●	●	●													
	NOZZLE DAN 5,50GPH 60° S	65074676						●	●													
	NOZZLE DAN 6,00GPH 60° S	65074677						●	●													

MAX 15-20-30

www.cofisa-burners.com



REVISIONI E INFORMAZIONI QUENZZATE

-  = Manutenzione / Riparazione / Manutenzione /
= Riparazione / Manutenzione / Riparazione / Manutenzione
-  = Manutenzione / Riparazione / Manutenzione /
= Riparazione / Manutenzione / Riparazione / Manutenzione
-  = Manutenzione / Riparazione / Manutenzione /
= Riparazione / Manutenzione / Riparazione / Manutenzione
-  = Assistenza tecnica / Assistenza tecnica / Assistenza tecnica /
= Assistenza tecnica / Assistenza tecnica / Assistenza tecnica /

REVISIONI E INFORMAZIONI QUENZZATE

REVISIONI E INFORMAZIONI QUENZZATE

