

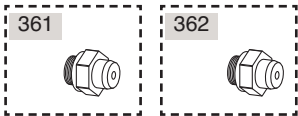
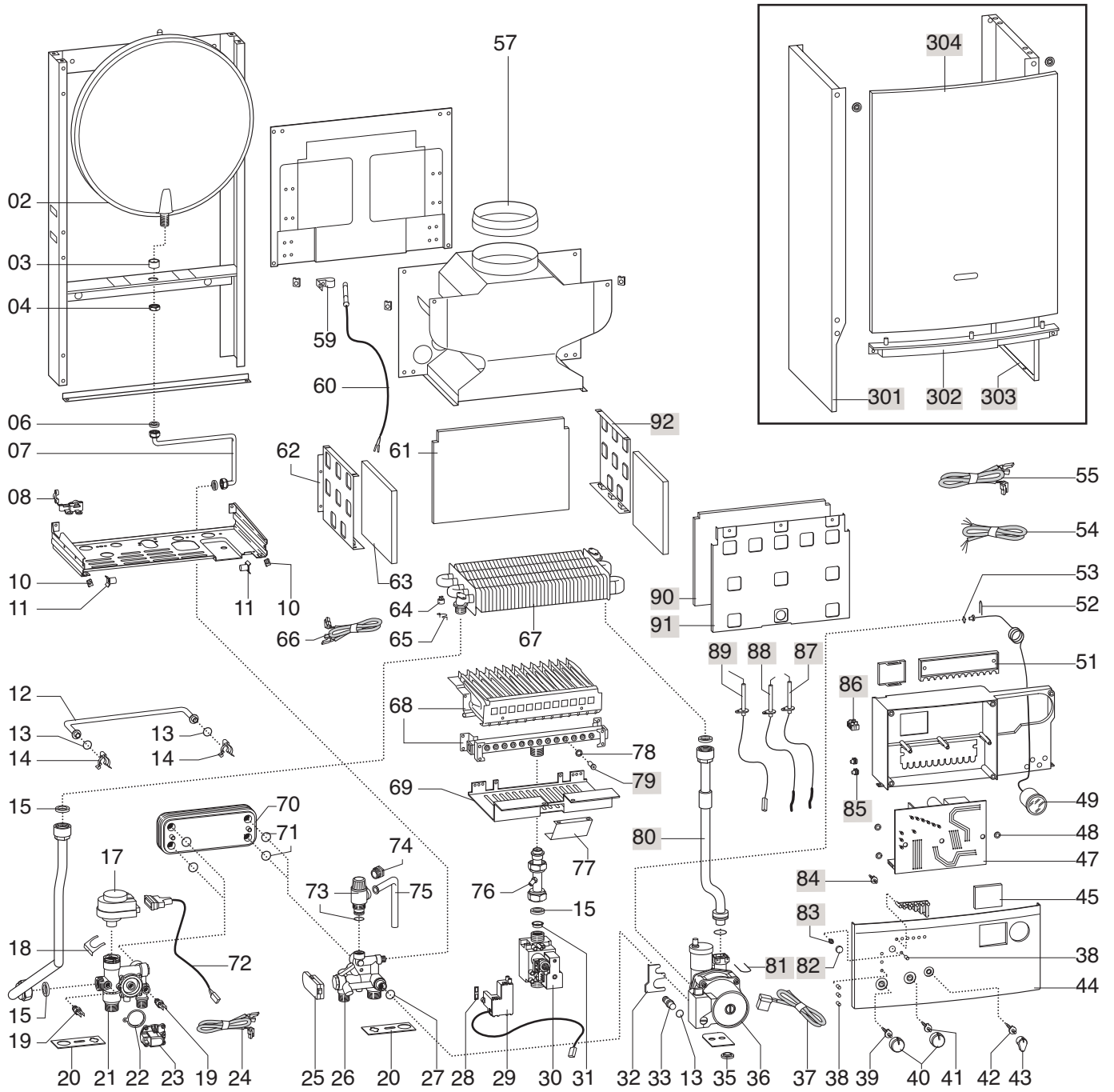
SPARE PARTS EXPLODED VIEW GAS-WALL BOILER ATM. BURNER

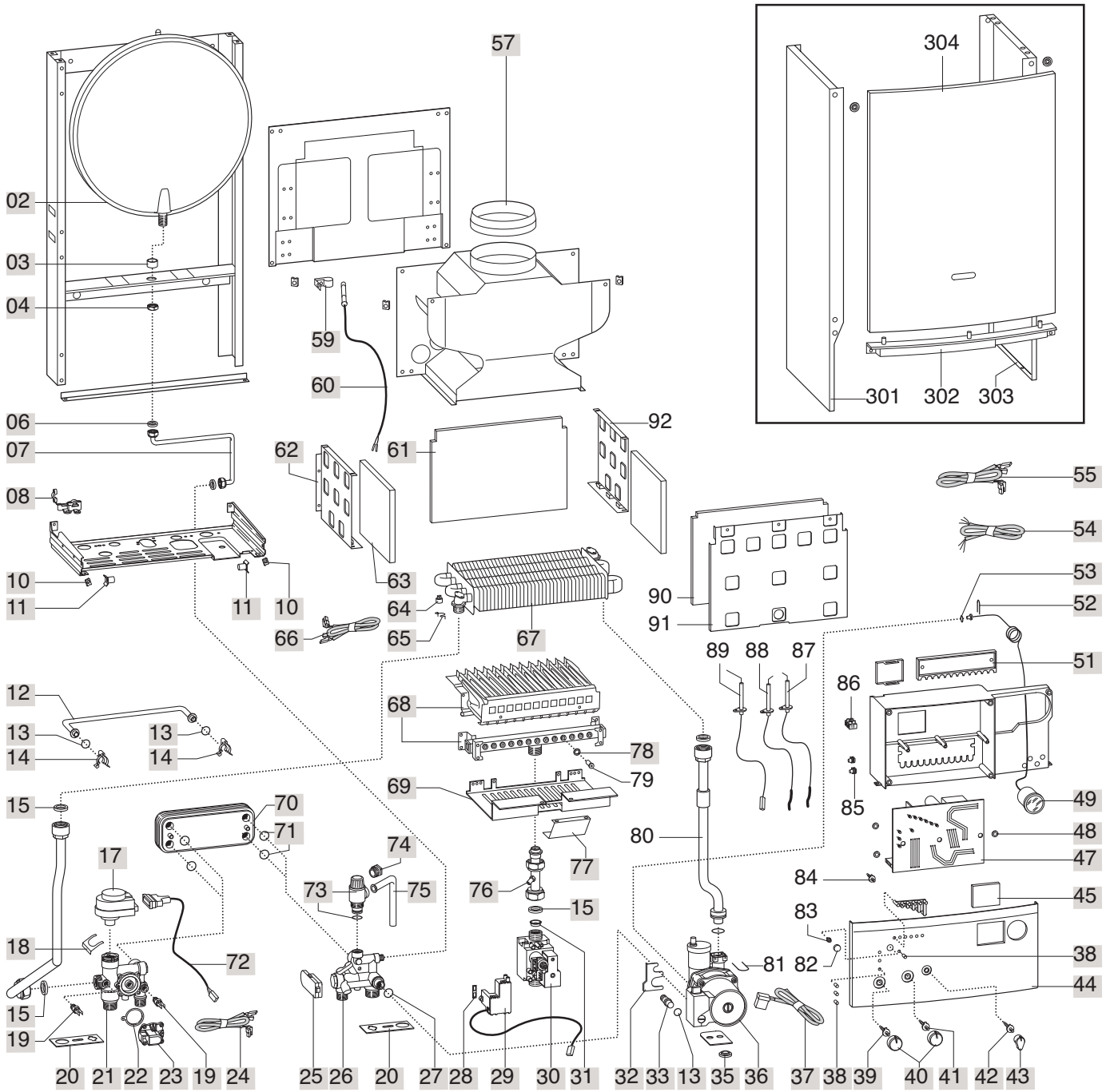
Model

LINDA+24 CA CPR

R8217652-01 - 07/10/2016

1	535921	LINDA + 24 CA CPR N (FR)	02-2002	05-2004
2	535922	LINDA + 24 CA CPR B (FR)	02-2002	07-2004
Col	Reference	Model type	Begin	End





LINDA+24 CA CPR B
LINDA+24 CA CPR N

31

☰	Description	Manf. Pt. N	Type	1 2 3 4 5 6 7 8 9 10 11 12 13 14 15 16 17 18																		From	to
0079	BURNER JET (L.P.G. 0.77)	998434																					
	BURNER JET (NG 1.30)	998433																					
0080	PIPE (C.H. RETURN - ANTI-VIBRATION)	999209																					
0081	U-CLIP	997153																					
0082	KNOB (RESET)	995382																					
0083	RESET BUTTON (INSERT)	998573																					
0084	SPINDLE (COMFORT)	65100842																					
0085	BLIND GROMMET	569720																					
0086	CONNECTOR BLOCK	571787																					
0087	IGNITION ELECTRODE (R.H.)	65100251																					
0088	IGNITION ELECTRODE (L.H.)	65100250																					
0089	IONIZATION ELECTRODE	998624																					
0090	FRONT PANEL	995921																					
0091	PANEL (INSULATION - FRONT)	995952																					
0092	PANEL (R.H. SIDE)	995923																					
0301	CASE PANEL (L.H. SIDE)	65102558																					
0302	FRONT PANEL CROSSBAR	991944																					
0303	CASE PANEL (R.H. SIDE)	65102557																					
0304	PANEL (FRONT CASE)	998509																					
0361	BURNER JET FULL KIT (NG)	998716																					
0362	BURNER JET FULL KIT (LPG)	998717																					

LINDA+24 CA CPR

Gas-wall boiler atm. burner

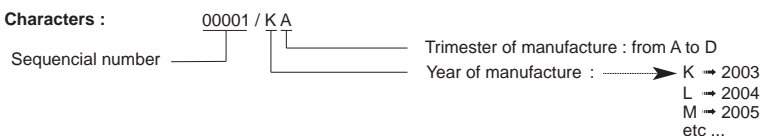
LIST OF THE ABBREVIATIONS

HW	: Hot water.
CW	: Cold water.
C	: Ceramic resistance (normal heating).
Ca	: Ceramic resistance (accelerated heating)
TP	: Immersion heater.
1F	: With fittings.
2F	: Without fittings.
3F	: With fittings and another outlet connection.
AMI	: With mixing valve.
SMI	: Without mixing valve.
PUISS	: Power of th appliance.
PN	: Appliance with normal pression.
LP	: Appliance with low pression.
PV	: Appliance with variable power.
PF	: Appliance with fixed power.

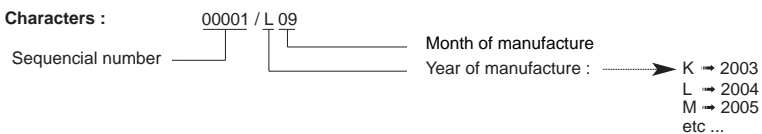
IDENTIFICATION PLATE

SERIAL NUMBER

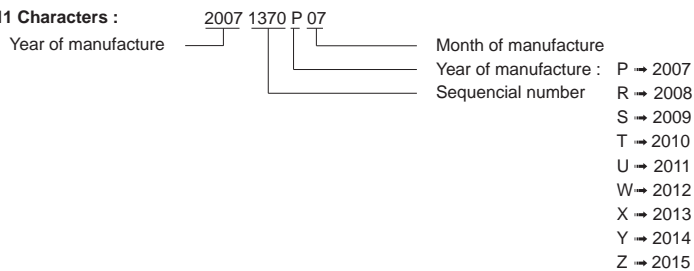
7 Characters :



8 Characters :



11 Characters :



21 Characters :

