

SPARE PARTS EXPLODED VIEW GAS-WALL CONDENSING BOILERS

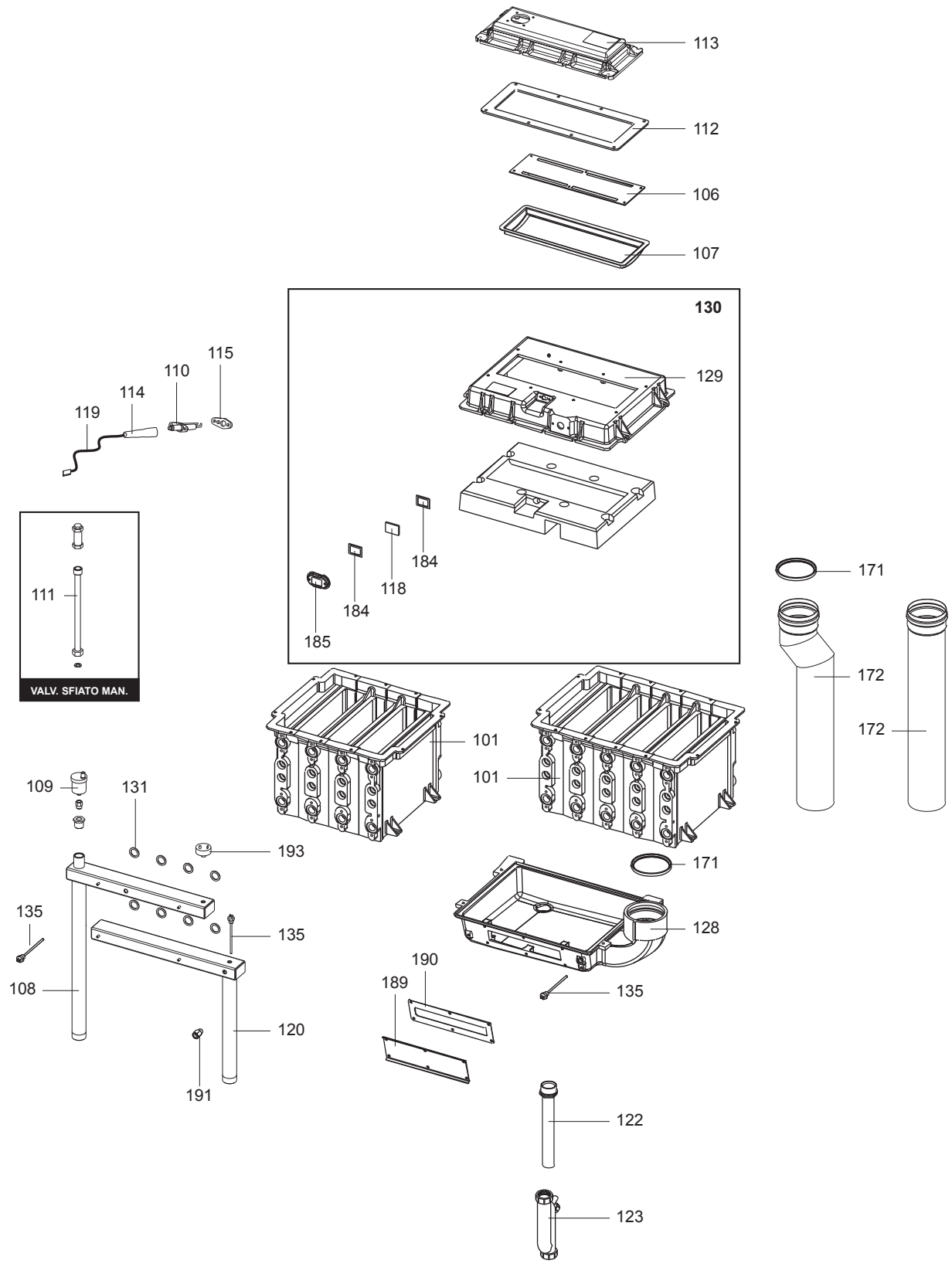
Model

BLUMAX

R8216345-09 - 17/05/2013

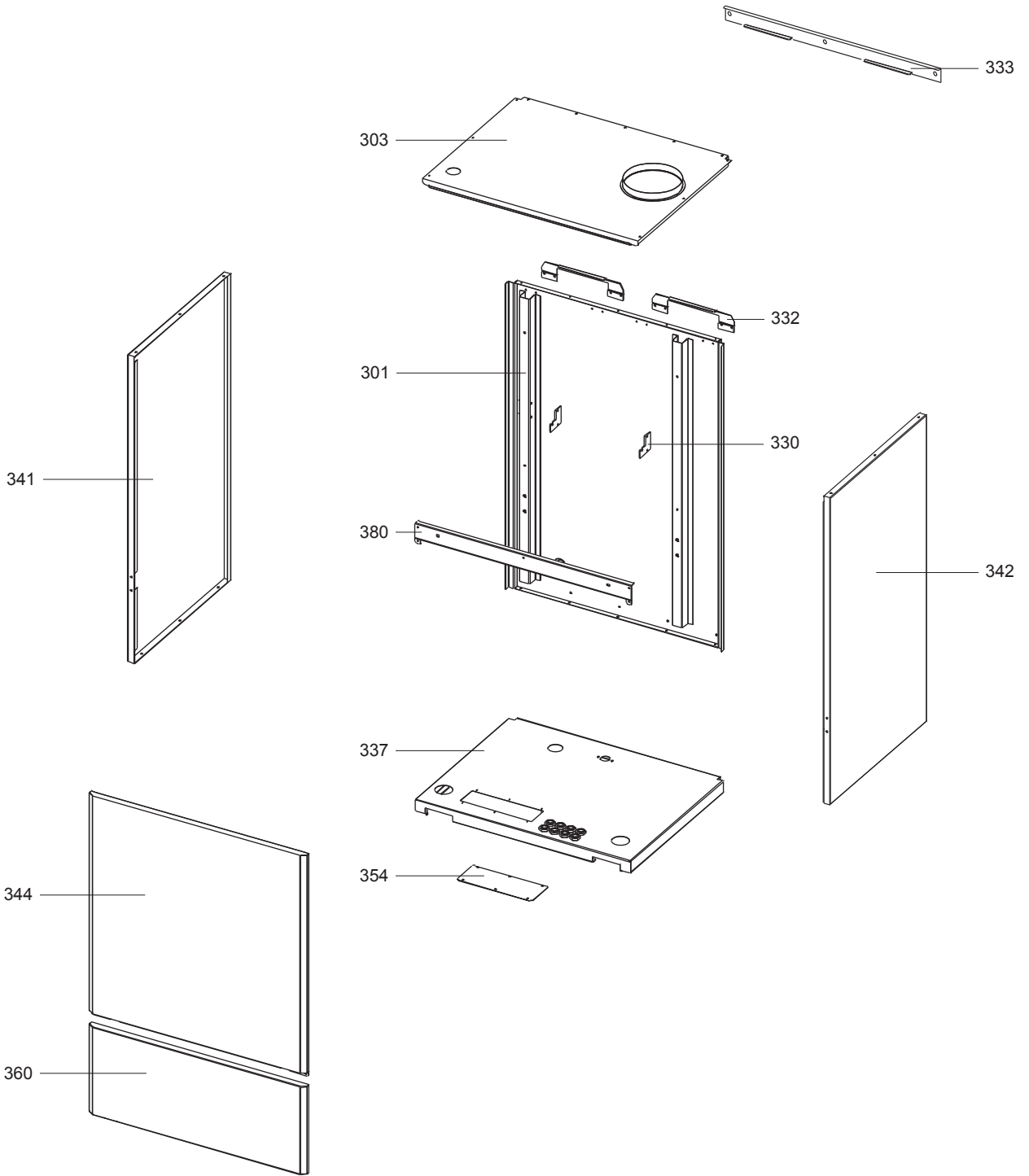
1	889528	BLUMAX 45-5 MET	4079/01	07-1999	03-2001
2	3120258	BLUMAX 60-5 MET	4079/11	07-1999	03-2001
3	3120257	BLUMAX 45-4 MET	4079/03	04-2001	12-2010
4	3120259	BLUMAX 60-4 MET	4079/13	04-2001	12-2010
5	3120260	BLUMAX 80-5 MET	4079/31	07-2002	12-2010

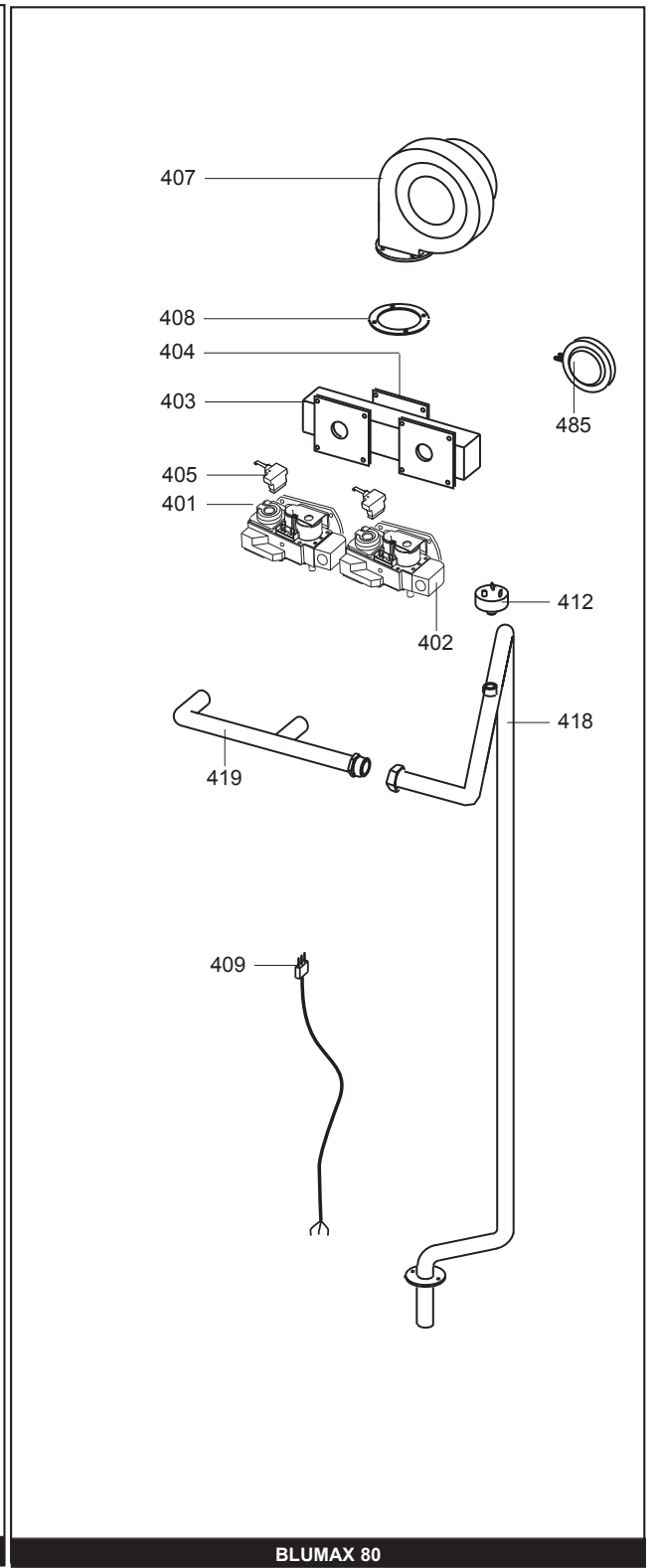
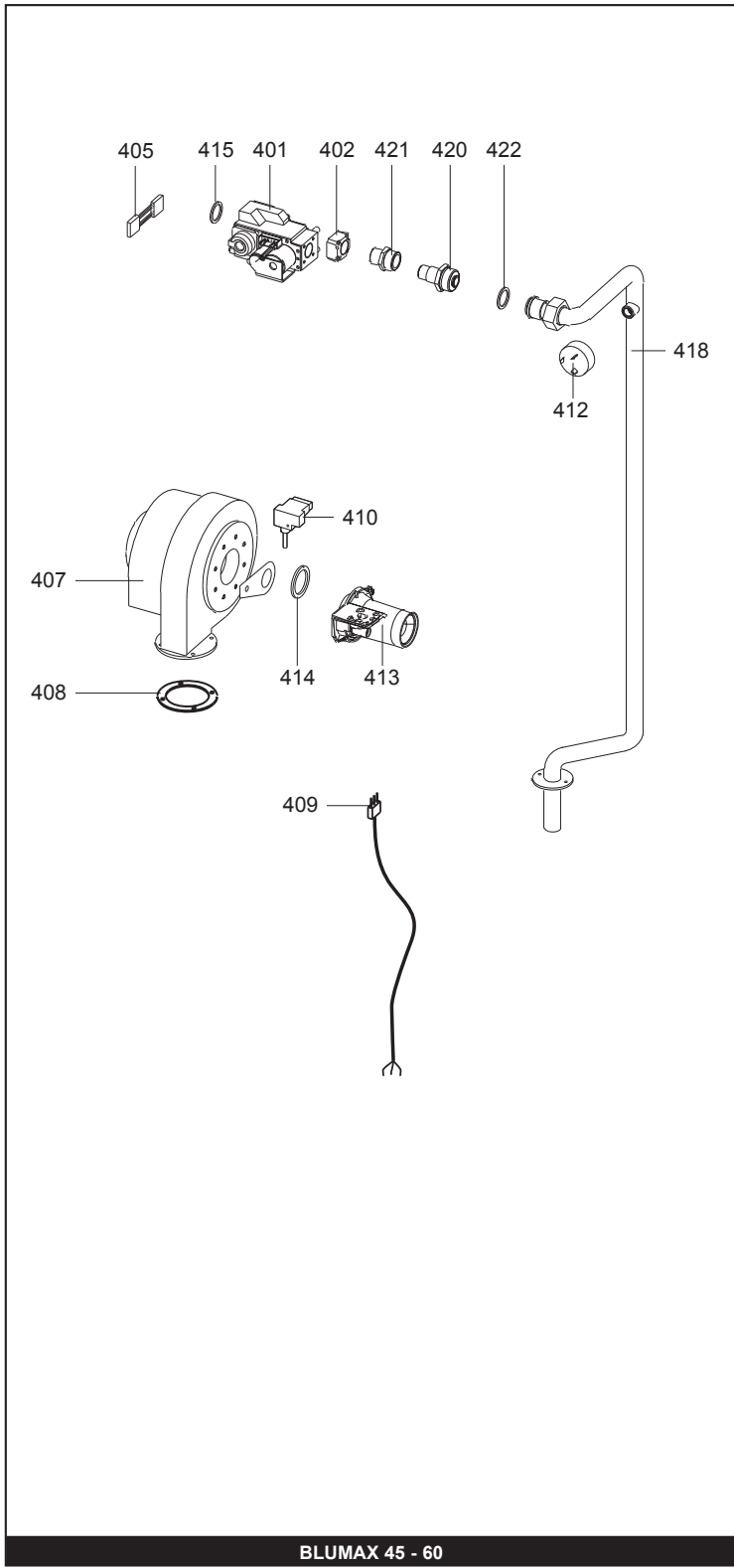
Col	Reference	Model type	Begin	End
-----	-----------	------------	-------	-----



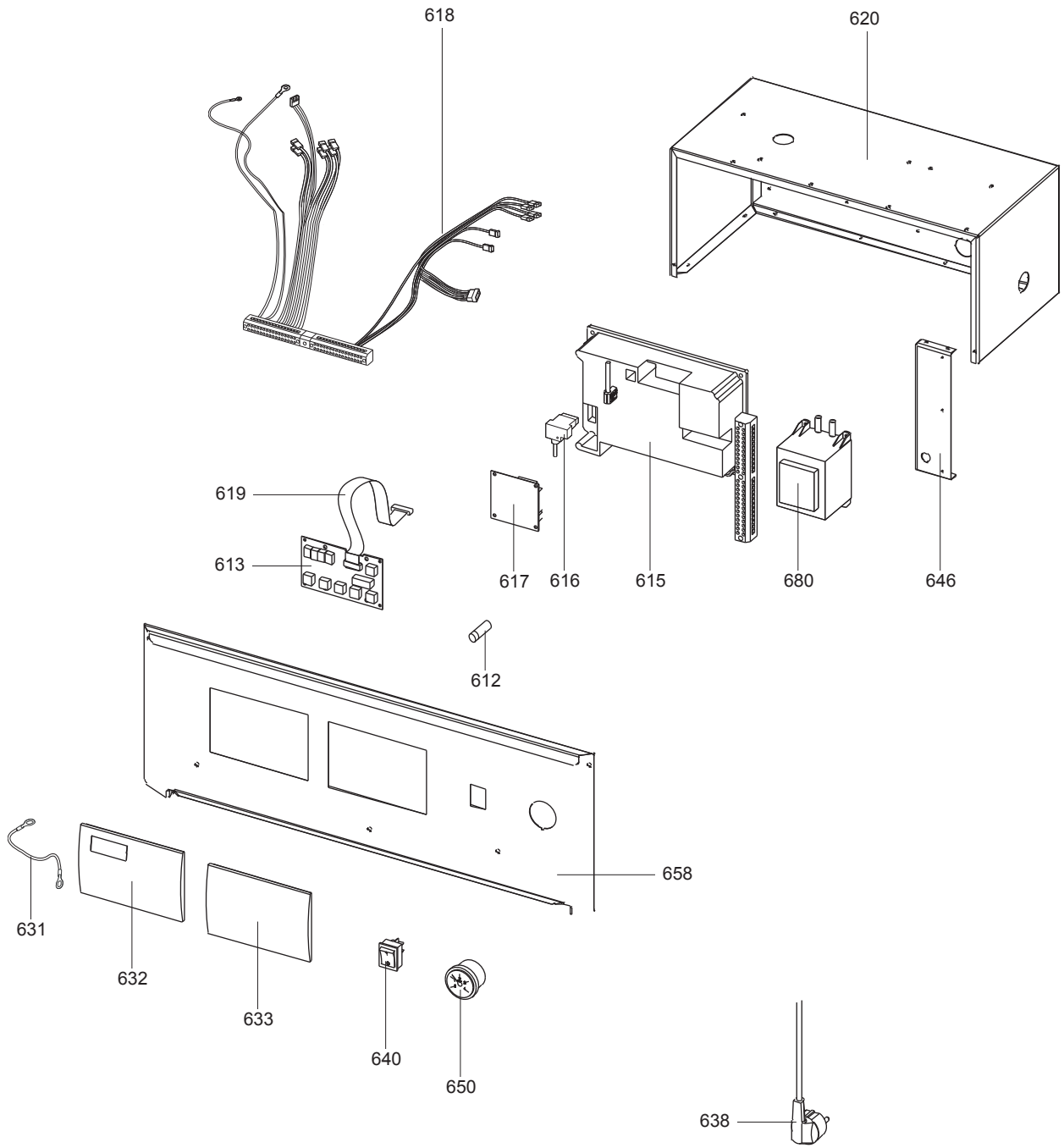
111
VALV. SFIATO MAN.

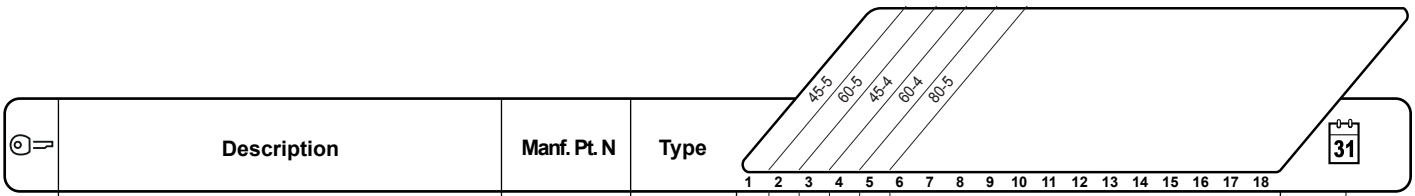
☉⇒	Description	Manf. Pt. N	Type																		
				1	2	3	4	5	6	7	8	9	10	11	12	13	14	15	16	17	18
0100	HEATING BODY																				
0101	HEATING BODY (-4)	65072102					•	•													
	HEATING BODY (-5)	65072101		•	•				•												
0106	AIR DISTRIBUTION PLATE	65070121					•	•													
	AIR DISTRIBUTION PLATE	65070214		•	•				•												
0107	BURNER	65070133					•	•													
	BURNER	65070240							•												
	BURNER	65072103		•	•																
0108	FLOW TUBE	65070066		•	•				•												
	FLOW TUBE	65070067					•	•													
0109	AUTOMATIC AIR RELEASE VALVE	65070183		•	•	•	•	•													
0110	IGNITION ELECTRODE	65070139		•	•	•	•	•													
0111	PIPE (AIR RELEASE VALVE)	65070064		•	•	•	•	•													
0112	SILICONE GASKET FOR BURNER	65070141					•	•													
	SILICONE GASKET FOR BURNER	65070223							•												
	SILICONE GASKET FOR BURNER	65072105		•	•																
0113	BURNER FAIRING	65070130					•	•													
	BURNER FAIRING	65070216		•	•				•												
0114	SUPPRESSOR	65072177		•	•	•	•	•													
0115	GASKET	65070215		•	•	•	•	•													
0118	SIGHT GLASS	65070204		•	•	•	•	•													
0119	CABLE (IGNITION ELECTRODE)	65105299		•	•	•	•	•													
0120	RETURN TUBE	65070068					•	•													
	RETURN TUBE	65070205		•	•				•												
0122	TRAP PIPE	65072094		•	•	•	•	•													
0123	TRAP	65070056		•	•	•	•	•													
0128	CONDENSATE TRAY	65070123					•	•													
	CONDENSATE TRAY	65070218		•	•				•												
0129	COMBUSTION CHAMBER	65070131					•	•													
	COMBUSTION CHAMBER	65070217		•	•				•												
0130	SERVICE SET BURNER FLANGE (4 EL.)	65111442					•	•													
	SERVICE SET BURNER FLANGE (5 EL.)	65111443		•	•				•												
0131	GASKET	65070061		•	•	•	•	•													
0135	TEMPERATURE PROBE (NTC)	65070108		•	•	•	•	•													
0171	GASKET	65070176		•	•	•	•	•													
0172	EXHAUST FLUE	65070175		•	•				•												
	EXHAUST FLUE	65072170					•	•													
0184	GASKET	65070126		•	•	•	•	•													
0185	FRAME	65070244		•	•	•	•	•													
0189	INSPECTION LID (CONDENSATE)	65070119					•	•													
	INSPECTION LID (CONDENSATE)	65070213		•	•				•												
0190	GASKET	65070178					•	•													
	GASKET	65072100		•	•				•												
0191	ONE-WAY VALVE	65070180		•	•	•	•	•													
0193	MAIN FLOW SWITCH	65070069		•	•	•	•	•													





☉⇒	Description	Manf. Pt. N	Type																			
				1	2	3	4	5	6	7	8	9	10	11	12	13	14	15	16	17	18	
0400	GAS SECTION																					
0401	GAS VALVE	65070142		•	•	•	•															
	GAS VALVE	65072181																	•			
0402	GAS VALVE FLANGE	65070242																	•			
	GAS VALVE FLANGE	65111581		•	•	•	•															
0403	GAS VALVES COLLECTOR	65076054																	•			
0404	GASKET	65109629																	•			
0405	GAS VALVE CONNECTOR	65070098		•	•	•	•															
	GAS VALVE CONNECTOR	65070237																	•			
0407	FAN	65070177		•																		
	FAN ASSY	65070262			•				•	•												
0408	FAN GASKET	65070134		•	•	•	•	•														
0409	FAN POWER CABLE	65070207		•	•	•	•	•														
0410	FAN CABLE ADAPTER	65070097																				
0412	GAS PRESSURE SWITCH	65070206		•	•	•	•	•														
0413	VENTURI	65070138																				
	VENTURI	65105490		•																		
0414	GASKET	12036120																				
0415	GASKET FOR GAS VALVE + SCREWS	65070222																				
0418	PIPE (GAS)	65070132																				
	PIPE (GAS)	65070238																	•			
0419	CONNECTION PIPE (GAS VALVES)	65070239																	•			
0420	GAS PIPE CONNECTION (3 PARTS)	65072111		•	•																	
0421	DOUBLE NIPPLE	65070140		•	•	•	•															
0422	SEAL 30 X 16 X 2,0 NBR	65108281		•	•	•	•															
0485	PRESSURE DIFF. SWITCH	65070186																	•			





Code	Description	Manf. Pt. N	Type	Terminals																		Date
				1	2	3	4	5	6	7	8	9	10	11	12	13	14	15	16	17	18	
0600	ELECTRICAL BOX																					
0612	FUSE HOLDER	65070092		•	•	•	•	•														
0613	P.C.B. (DISPLAY)	65070072		•	•	•	•	•														
0615	CONTROL UNIT MCBA 1406 V2.0	65072107				•														12/06		
	CONTROL UNIT MCBA 1406 V2.0	65072107		•																		
	CONTROL UNIT MCBA 1406 V2.0	65072179						•												12/06		
	CONTROL UNIT MCBA 1406 V2.0	65072179				•																
	CONTROL UNIT MCBA 1406 V2.0	65072180							•											12/06		
	CONTROL UNIT MCBA 5407 D	65072183					•													01/07		
	CONTROL UNIT MCBA 5407 D	65072184							•											01/07		
	CONTROL UNIT MCBA 5407 D	65072185								•										01/07		
0616	RECTIFIER	65072112					•	•												12/06		
	RECTIFIER	65072112		•	•																	
0617	P.C.B AM3	65072178		•	•	•	•	•														
0618	COMPLETE WIRING	65072096					•	•	•											12/06		
	COMPLETE WIRING	65072096		•	•																	
	COMPLETE WIRING	65111176						•	•	•										01/07		
0619	FLAT CABLE	65070101		•	•	•	•	•														
0620	PROTECTION OF ELECTRICAL PARTS	65070099		•	•	•	•															
	PROTECTION OF ELECTRICAL PARTS	65070107								•												
0631	CABLE HOLDER DISPLAY PANEL	65070165		•	•	•	•	•														
0632	DISPLAY BASE	65070086		•	•	•	•	•														
0633	PROTECTION	65070087		•	•	•	•	•														
0638	CABLE (POWER SUPPLY)	65070059		•	•	•	•	•														
0640	SWITCH	65070071		•	•	•	•	•														
0646	BRACKET	65070162					•	•														
	BRACKET	65070105		•	•					•												
0650	PRESSURE GAUGE	65070181		•	•	•	•	•														
0658	CONTROL PANEL	65070104		•	•	•	•	•														
0680	TRANSFORMER 230 / 24V	65070275		•	•	•	•	•														

LIST OF THE ABBREVIATIONS

HW	: Hot water.
CW	: Cold water.
C	: Ceramic resistance (normal heating).
Ca	: Ceramic resistance (accelerated heating)
TP	: Immersion heater.
1F	: With fittings.
2F	: Without fittings.
3F	: With fittings and another outlet connection.
AMI	: With mixing valve.
SMI	: Without mixing valve.
PUISS	: Power of th appliance.
PN	: Appliance with normal pression.
LP	: Appliance with low pression.
PV	: Appliance with variable power.
PF	: Appliance with fixed power.

IDENTIFICATION PLATE

SERIAL NUMBER

10 Characters :	04 05 125 011		
		Sequential number	
		Manufacturing day	
		Year of manufacture	
11 Characters :	1 95 065004 - 31		
Month of manufacture :		Technical number of the appliance	
from 1 to 9 → Jan. to Sep.,		Sequential number	
O → Oct., N → Nov.,		Year of manufacture	
D → Dec.			
19 Characters :	08 05 0013199 900640031		
Year of manufacture		Product reference	
Month of manufacture		Sequential number	
20 Characters :	3675007 XX 2 07 070 00315		
Product reference		Sequential number	
Millenium of manufacture		Manufacturing day	
		Year of manufacture	
21 Characters :	3675007 XX 07 070 0000315		
Product reference		Sequential number	
Year of manufacture		Manufacturing day	