

## SPARE PARTS EXPLODED VIEW GAS BURNERS

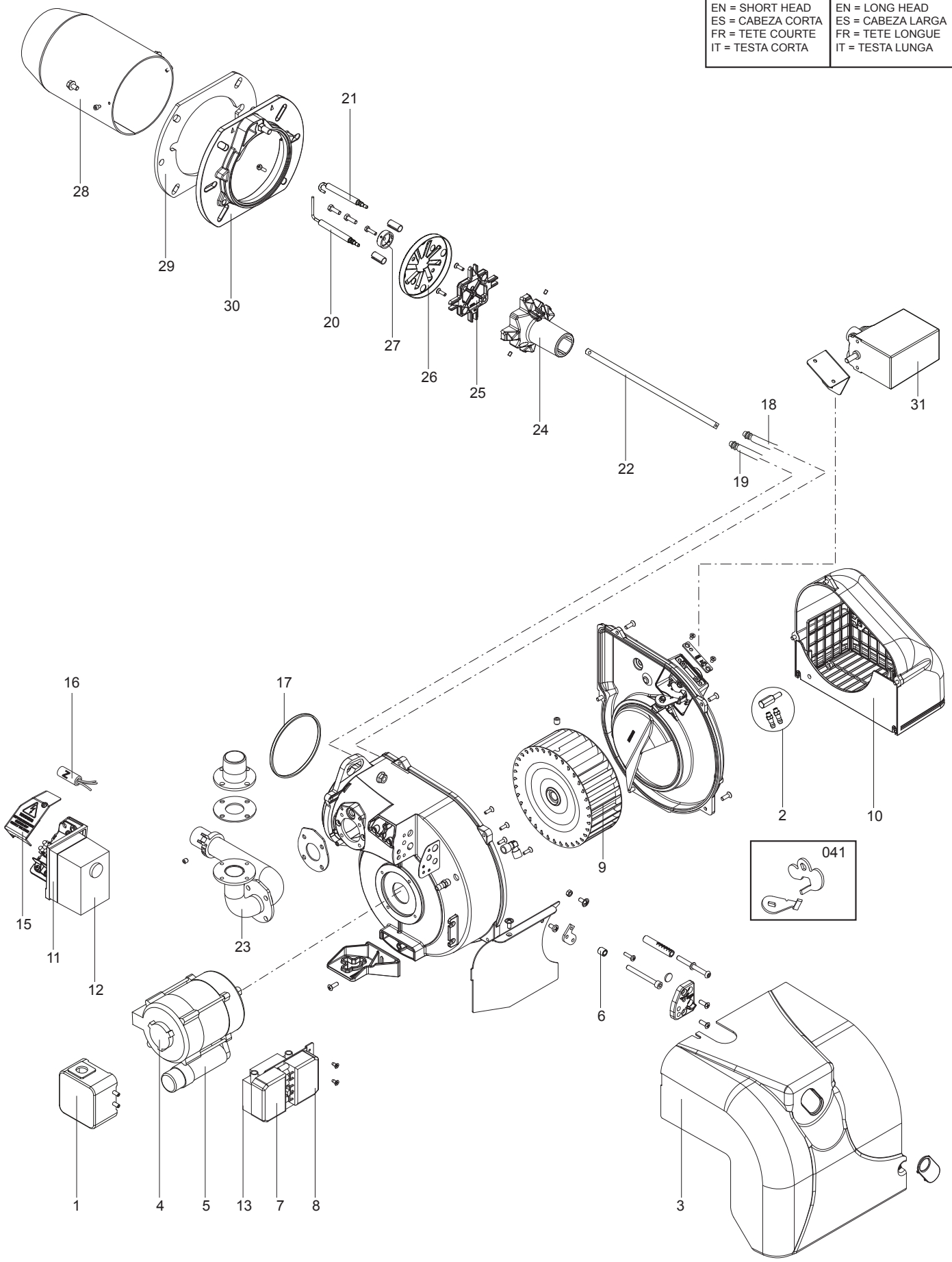
Model

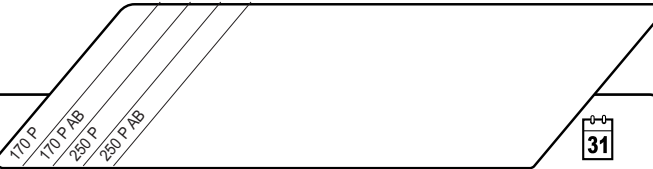

### MAX GAS 170/250 LOW-NOX

R8216403-04 - 30/04/2015

1	3123940	MAX GAS 170 LN P TC MET.SR 230/50	06-2005	01-2012
1	3123941	MAX GAS 170 LN P TL MET.SR 230/50	10-2008	01-2012
2	3123956	MAX GAS 170 LN PAB TC MET.SR 230/50	10-2009	-
2	3123957	MAX GAS 170 LN PAB TL MET.SR 230/50	10-2008	-
3	3123942	MAX GAS 250 LN P TC MET.SR 230/50	10-2008	-
3	3123943	MAX GAS 250 LN P TL MET.SR 230/50	11-2008	01-2012
4	3123958	MAX GAS 250 LN PAB TC MET.SR 230/50	10-2008	-
4	3123959	MAX GAS 250 LN PAB TL MET.SR 230/50	11-2008	-
Col	Reference	Model type	Begin	End

TC	TL
DE = KURZER KOPF	DE = LANGER KOPF
EN = SHORT HEAD	EN = LONG HEAD
ES = CABEZA CORTA	ES = CABEZA LARGA
FR = TETE COURTE	FR = TETE LONGUE
IT = TESTA CORTA	IT = TESTA LUNGA



	Description	Manf. Pt. N	Type																				
				1	2	3	4	5	6	7	8	9	10	11	12	13	14	15	16	17	18	From	to
0001	AIR PRESS.SWITCH LGW 10 A2P 1-10MB	65074449		•	•	•	•																
0002	AIR INTAKE SET M6 (D3.0)	65108676		•	•	•	•																
0003	BURNER COVER	65108470		•	•	•	•																
0004	MOTOR 0,2KW230V D12,7 F0	65108662		•	•	•	•																
0005	CAPACITOR 3μF 2P 3mm	65325037		•	•	•	•																
0006	HOLDER	65108663		•	•																		
0007	PLUG WIELAND 7 PIN WIELAND CONNECTOR 4P.MALE	65074316 13009667		•		•																	
0008	SOCKET WIELAND 4 PIN SOCKET WIELAND 7 PIN	65071105 65070718			•		•																
0009	FAN WHEEL D160X62 d12,7	65074775		•	•	•	•																
0010	COVER AIR INLET	65073871		•	•	•	•																
0011	SOCKET CONTROL BOX SIEMENS	65074801		•	•	•	•																
0012	CONTROL UNIT LGB 21.330 A27 CONTROL UNIT LGB 22.330 A27	65320033 65320034		•		•		•															
0013	IGNITION TRANSFO. 28/35PML 1X7 230V L410	65323258		•	•	•	•																
0015	PROTECTION BOX	65107297		•	•	•	•																
0016	ANTIJAMMING FILTER DEM 720Y2 0,01uF 250V	65323169		•	•	•	•																
0017	O-RING	65074380		•	•	•	•																
0018	IONIZATION CABLE	65073890	TC	•	•	•	•																
	IONIZATION CABLE	65073891	TL	•	•	•	•																
0019	IGNITION CABLE	65105325	TC	•	•	•	•																
	IGNITION CABLE	65111751	TL	•	•	•	•																
0020	ELECTRODE (DETECTION)	65111742		•	•	•	•																
0021	ELECTRODE (IGNITION)	65105897		•	•	•	•																
0022	ROD	65108664	TC	•	•	•	•																
	ROD	65108665	TL	•	•	•	•																
0023	SUPPORT PIPE	65108666	TC	•	•	•	•																
	SUPPORT PIPE	65108667	TL	•	•	•	•																
0024	FIRING HEAD	65108668		•	•	•	•																
0025	HEAD CAP	65108669		•	•	•	•																
0026	DIFFUSER	65108670		•	•	•	•																
0027	TOOTH	65108672	LG	•	•	•	•																
	TOOTH	65108671	NG	•	•	•	•																
0028	FLAME TUBE D125 L197	65320398	TC	•	•	•	•																
	FLAME TUBE D125 L297	65320399	TL	•	•	•	•																
0029	GASKET	65074118		•	•	•	•																
0030	FLANGE	65108675		•	•	•	•																
0031	ACTUATOR SQN 75.224 A21	65106029			•		•																
0041	LEVERISMI MAX FUS.160	65324613		•	•	•	•																

---

## LIST OF THE ABBREVIATIONS

HW .....	: Hot water.
CW .....	: Cold water.
C .....	: Ceramic resistance (normal heating).
Ca .....	: Ceramic resistance (accelerated heating)
TP .....	: Immersion heater.
1F .....	: With fittings.
2F .....	: Without fittings.
3F .....	: With fittings and another outlet connection.
AMI .....	: With mixing valve.
SMI .....	: Without mixing valve.
PUISS .....	: Power of th appliance.
PN .....	: Appliance with normal pression.
LP .....	: Appliance with low pression.
PV .....	: Appliance with variable power.
PF .....	: Appliance with fixed power.

---

The indications mentioned on the prices, commercial or technical literature and the scheme are written for your guidance and are available at a given time. The CONSTRUCTOR retains the power to modify the presentation, the form, the size, the conception or the material of the products.

---