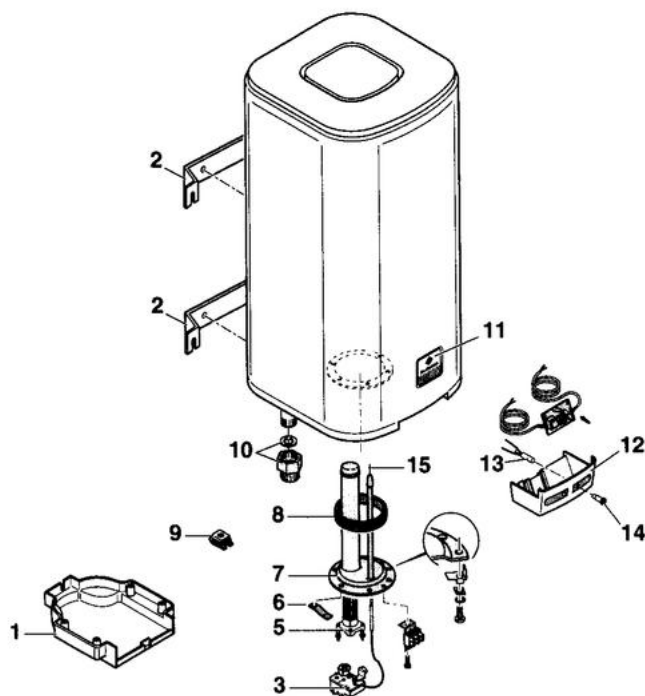


8979-4005 B

- Chauffe-eau muraux H.P.E - A.C.I



8978N017 B

| Rep. | DESIGNATION | 100 L 1200W-230V Réf. 8979-9451 | 150 L 1800W-230V Réf. 8979-9461 | 150 L 1800W-230/400V Réf. 8979-9464 | 200 L 2400W-230V Réf. 8979-9471 | 200 L 2400W-230/400V Réf. 8979-9474 |
|------|-----------------------------------|--|--|--|--|--|
| 1 | Capot de protection | 9786-0109 | 9786-0109 | 9786-0109 | 9786-0109 | 9786-0109 |
| 2 | Etrier peint | 9786-3936 | 9786-3936 | 9786-3936 | 9786-3936 | 9786-3936 |
| 3 | Thermostat BSD 1 bulbe MONO | 9786-8742 | 9786-8742 | - | 9786-8742 | - |
| 3 | Thermostat BSD 1 bulbe TRI | - | - | 9786-0841 | - | 9786-0841 |
| 5 | Elément barillet 1200W - 230V | 9786-3581 | - | - | - | - |
| 5 | Elément barillet 1800W - 230V | - | 9786-3582 | - | - | - |
| 5 | Elément barillet 1800W - 230/400V | - | - | 9786-3580 | - | - |
| 5 | Elément barillet 2400W - 230V | - | - | - | 9786-3583 | - |
| 5 | Elément barillet 2400W - 230/400V | - | - | - | - | 9786-3579 |
| 6 | Patte de fixation élément | 9786-0623 | 9786-0623 | 9786-0623 | 9786-0623 | 9786-0623 |
| 7 | Corps de chauffe | 9786-2393 | 9786-2771 | 9786-2771 | 9786-2772 | 9786-2772 |
| 8 | Joint à lèvres | 9786-5233 | 9786-5233 | 9786-5233 | 9786-5233 | 9786-5233 |
| 9 | Ecrou en cage | 9786-0260 | 9786-0260 | 9786-0260 | 9786-0260 | 9786-0260 |
| 10 | Kit manchon diélectrique | 9790-4495 | 9790-4495 | 9790-4495 | 9790-4495 | 9790-4495 |
| 11 | Plaque firme | 9786-6641 | 9786-6641 | 9786-6641 | 9786-6641 | 9786-6641 |
| 12 | Tableau de bord + ACI | 9786-8518 | 9786-8518 | 9786-8519 | 9786-8518 | 9786-8519 |
| 13 | Voyant lumineux | 9786-9856 | 9786-9856 | 9786-9856 | 9786-9856 | 9786-9856 |
| 14 | Lentille rouge | 9786-9855 | 9786-9855 | 9786-9855 | 9786-9855 | 9786-9855 |
| 15 | Anode | 9786-1179 | 9786-1179 | 9786-1179 | 9786-1179 | 9786-1179 |

06/99

C.E. MURAUX VERTICAUX ACI Gamme 1995

| Réf. | Référenc | Description | Qté | Tarif | Substitut | Tarif Sub. | Remarques |
|------|----------|--------------------------------|-----|--------------------|-----------|------------|-----------|
| 1 | 97860109 | CAPOT FB | 1 | Nous consulter ... | | | |
| 2 | 97863936 | ETRIER ACCROCHAGE CHAUFFE-É | 1 | Nous consulter ... | | | |
| 3 | 97868742 | THERMOSTAT BSD MONO 57728 | 1 | | 7647539 | 50,20 € | |
| 5 | 97863581 | ELEMENT BARILLET 1200W MONO | 1 | 79,40 € | | | |
| 5 | 97863582 | ELEMENT BARILLET 1800W MONO | 1 | 89,80 € | | | |
| 5 | 97863579 | ELEMENT BARILLET 2400W TRI | 1 | 130,00 € | | | |
| 5 | 97863580 | ELEMENT BARILLET 1800W TRI 15C | 1 | 124,00 € | | | |
| 5 | 97863583 | ELEMENT BARILLET 2400W MONO | 1 | 125,00 € | | | |
| 6 | 97860623 | PATTE DE FIXATION ELEMENT | 1 | 1,85 € | | | |
| 7 | 97862393 | CORPS CHAUFFE EMAIL | 1 | | 7614370 | 63,80 € | |
| 7 | 97862771 | CORPS CHAUFFE EMAIL 150FB | 1 | | 7614370 | 63,80 € | |
| 7 | 97862772 | CORPS CHAUFFE 200FB EMAIL | 1 | | 7614370 | 63,80 € | |
| 8 | 97865233 | JOINT A LEVRE EXT.130 | 1 | | 300019004 | 7,85 € | |
| 9 | 97860260 | ECROU EN CAGE | 1 | 1,00 € | | | |
| 10 | 97904495 | MANCHON DIELECTRIQUE | 1 | 8,65 € | | | |
| 11 | 97866641 | PLAQUE FIRME DD | 1 | Nous consulter ... | | | |
| 12 | 97868518 | TABLEAU BORD VOY.+ACI MON | 1 | Nous consulter ... | | | |
| 12 | 97868519 | TABLEAU BORD VOY.+ACI TRI | 1 | Nous consulter ... | | | |
| 13 | 97869856 | VOYANT SS LENTILLE D8.5 | 1 | Nous consulter ... | | | |
| 14 | 97869855 | LENTILLE ROUGE D.12 | 1 | Nous consulter ... | | | |
| 15 | 97861179 | ANODE ACI +FIL L340 | 1 | | 97861180 | 14,80 € | |