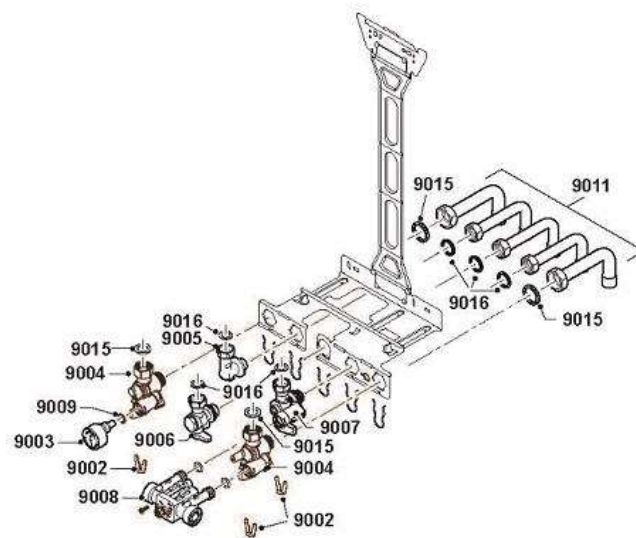


AD-0801750-02

| Réf. | Référenc | Description | Qté | Tarif | Substitut | Tarif Sub. | Remarques |
|------|----------|---------------------------------|-----|----------|-----------|------------|-----------|
| 0 | S103019 | SET SERVICE A (35-39kW) | 1 | 20,80 € | | | |
| 0 | 7714483 | SET SERVICE B - 39 | 1 | 29,50 € | | | |
| 0 | 7714497 | SET SERVICE C - 39C- 12L/MIN | 1 | 42,30 € | | | |
| 1001 | 7600123 | CAPOT AVANT | 1 | 57,70 € | | | |
| 1002 | S103362 | FIXATION COUVERCLE | 1 | 6,05 € | | | |
| 1003 | 7600078 | ACCESSOIRES CAISSON | 1 | 20,80 € | | | |
| 1004 | 7628597 | EQUERRE MAINTIENT TABLEAU (X | 1 | 3,50 € | | | |
| 1005 | S62727 | PASSE FIL D.20mm (x15) | 1 | 25,10 € | | | |
| 2001 | 7694004 | ECHANGEUR 39KW | 1 | 419,00 € | | | |
| 2002 | S101759 | COLLECTEUR CONDENSATS 40KW | 1 | 51,90 € | | | |
| 2003 | 7693991 | CIRCULATEUR 39KW | 1 | 169,00 € | | | |
| 2004 | S101731 | SIPHON | 1 | 29,70 € | | | |
| 2005 | 7700946 | RACCORD PURGEUR | 1 | 15,60 € | | | |
| 2006 | S101734 | TUBE EVACUATION FUMEE | 1 | 49,40 € | | | |
| 2007 | S103359 | PIECE D'ADAPTATION | 1 | 16,50 € | | | |
| 2008 | 7712220 | ELECTRODE ALLUMAGE | 1 | 20,30 € | | | |
| 2010 | S101770 | PURGEUR | 1 | 6,40 € | | | |
| 2011 | S101755 | JOINT BRULEUR 40KW | 1 | 16,40 € | | | |
| 2012 | S101689 | BUSE DE FUMEE 60/100 | 1 | 13,90 € | | | |
| 2014 | S101740 | CLIPS (SET) | 1 | 10,60 € | | | |
| 2015 | S100046 | JOINT D.60 VENTURI-SILENCIEUX (| 1 | 37,70 € | | | |
| 2017 | S59597 | JOINT TORIQUE 18X2.8 (10X) | 1 | 7,15 € | | | |
| 2018 | S62105 | JOINT ELECTRODE (10X) | 1 | 14,10 € | | | |
| 2019 | 7700942 | PLAQUETTE ECHANGEUR | 1 | 1,00 € | | | |
| 2020 | 7700944 | JOINT CIRCULATEUR | 1 | 2,05 € | | | |
| 2021 | S100821 | SONDE DE PRESSION + JOINT + CI | 1 | 48,00 € | | | |
| 2022 | S100814 | CLIP 10.3 (5X) | 1 | 7,60 € | | | |
| 2023 | 7700945 | JOINT SIPHON | 1 | 1,65 € | | | |
| 3001 | 7706739 | MODULE AIR-GAS 40KW | 1 | 339,00 € | | | |
| 3001 | 7697134 | VENTILATEUR 39KW | 1 | 299,00 € | | | |
| 3002 | S101753 | BRULEUR 40KW | 1 | 81,30 € | | | |
| 3003 | 7700947 | TUBE (SET) | 1 | 104,00 € | | | |
| 3004 | S56155 | JOINT Ø 23.8X17.2X2MM (X20) | 1 | 15,60 € | | | |
| 3005 | 7693999 | VANNE GAZ 39KW | 1 | 151,00 € | | | |
| 3006 | 7694000 | SILENCIEUX | 1 | 35,30 € | | | |
| 3007 | 7701439 | JOINT MODULE AIR/GAZ | 1 | 26,00 € | | | |
| 4001 | 7694001 | CARTE PCB-CU-GH09 | 1 | 217,00 € | | | |
| 4002 | 7693963 | TABLEAU DE COMMANDE GRIS | 1 | 67,00 € | | | |
| 4003 | 7693961 | FAISCEAUX (SET) | 1 | 27,50 € | | | |
| 4005 | 7623837 | SET SONDE NTC10K | 1 | 15,60 € | | | |
| 4006 | S101769 | CAPTEUR EFFET HALL | 1 | 17,50 € | | | |
| 4007 | 7633327 | CONFIGURATION UNIT CSU-01 | 1 | 14,40 € | | | |
| 4008 | S100664 | FUSIBLES 1.6 AT (5 PCES) | 1 | 11,30 € | | | |
| 5001 | S101751 | ECHANGEUR A PLAQUE 39KW | 1 | 79,60 € | | | |
| 5002 | S101765 | VANNE 3 VOIES + MOTEUR | 1 | 47,10 € | | | |
| 5003 | 7600499 | LIMITEUR DE DEBIT 12L/MIN | 1 | 18,20 € | | | |
| 5004 | 7697135 | HYDRAUBLOC GAUCHE MI | 1 | 32,70 € | | | |
| 5006 | S101772 | SOUPAPE DE SECURITE 3 BAR | 1 | 24,40 € | | | |
| 5007 | S100805 | FILTRE DEPART | 1 | 24,80 € | | | |

EMC-S / PMC-S 30/35MI

| | | | | |
|------|---------|-----------------------------|---|----------|
| 5009 | S100810 | JOINT TORIQUE 25.2X17 (20X) | 1 | 26,50 € |
| 5010 | S101740 | CLIPS (SET) | 1 | 10,60 € |
| 5011 | S59141 | VIS M5x18 (x15) | 1 | 8,95 € |
| 5012 | 7697137 | HYDROBLOCK COMBI RETOUR 39† | 1 | 368,00 € |
| 5013 | 7697140 | PIECE RACCORDEMENT (SET) | 1 | 55,20 € |
| 5014 | 7697142 | SUPPORT | 1 | 45,90 € |
| 5016 | S100814 | CLIP 10.3 (5X) | 1 | 7,60 € |
| 5020 | S100837 | BOUCHON (10X) | 1 | 27,90 € |
| 9001 | 7600525 | VASE EXPANSION | 1 | 91,70 € |
| 9017 | 7632826 | Tuyau Vase D'Expansion | 1 | 17,60 € |



AD-0801966-01

| Réf. | Référenc | Description | Qté | Tarif | Substitut | Tarif Sub. | Remarques |
|------|----------|------------------------------------|-----|--------------------|-----------|------------|-----------|
| 0 | 122325 | SUPPORT DE MONTAGE | 1 | 1,85 € | | | |
| 9002 | S101740 | CLIPS (SET) | 1 | 10,60 € | | | |
| 9003 | S101763 | THERMO-MANOMETRE | 1 | 19,70 € | | | |
| 9004 | 7684680 | ROBINETS DEPART/RETOUR CHAL | 1 | 50,40 € | | | |
| 9005 | 7660283 | RACCORD COUDE 90° 1/2" | 1 | 18,40 € | | | |
| 9006 | S100872 | ROBINET GAZ | 1 | 49,10 € | | | |
| 9007 | 7684678 | ROBINET DISCONNECTEUR | 1 | 36,90 € | | | |
| 9008 | 7660282 | DISCONNECTEUR | 1 | 95,20 € | | | |
| 9009 | 7660289 | KIT JOINTS TORIQUES DISCONNEX | 1 | 19,50 € | | | |
| 9011 | 7600630 | KIT TUBULURES A SOUDER 18/16 | 1 | Nous consulter ... | | | |
| 9015 | S56155 | JOINT Ø 23.8X17.2X2MM (X20) | 1 | 15,60 € | | | |
| 9016 | S56157 | JOINT Ø 18,3 X 12,7 X 2 MM. (10 PC | 1 | 6,95 € | | | |