

SPARE PARTS EXPLODED VIEW GAS BURNERS

Model

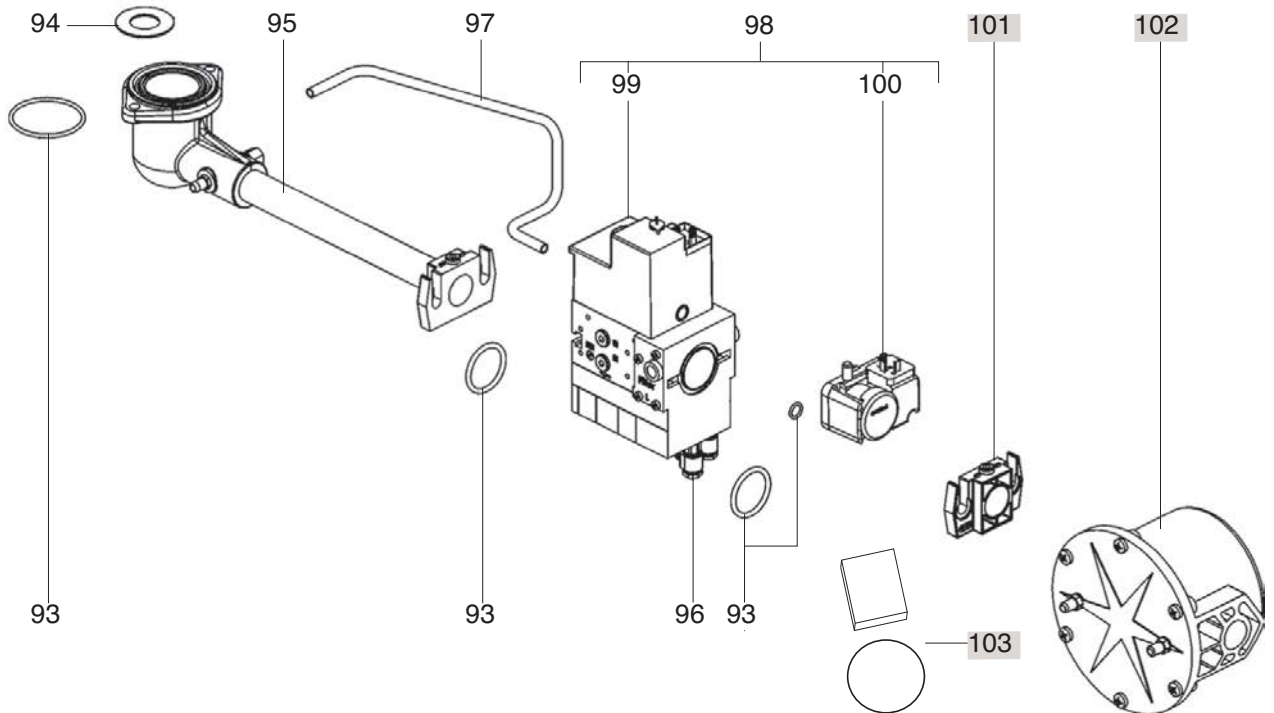
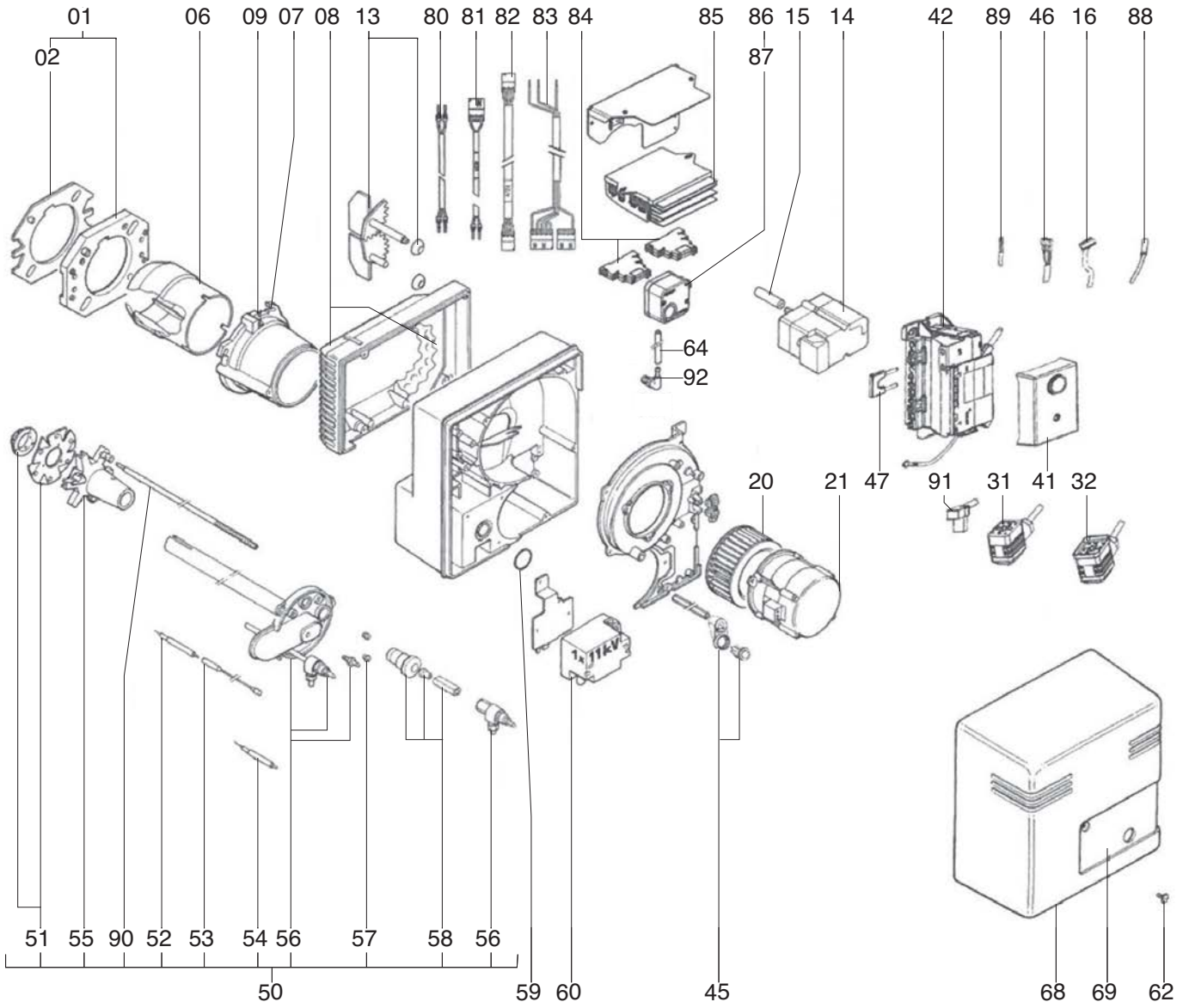
C24, C30 GX807/8

R8220188-01 - 28/06/2016

C24, C30 GX807/8

Gas burners

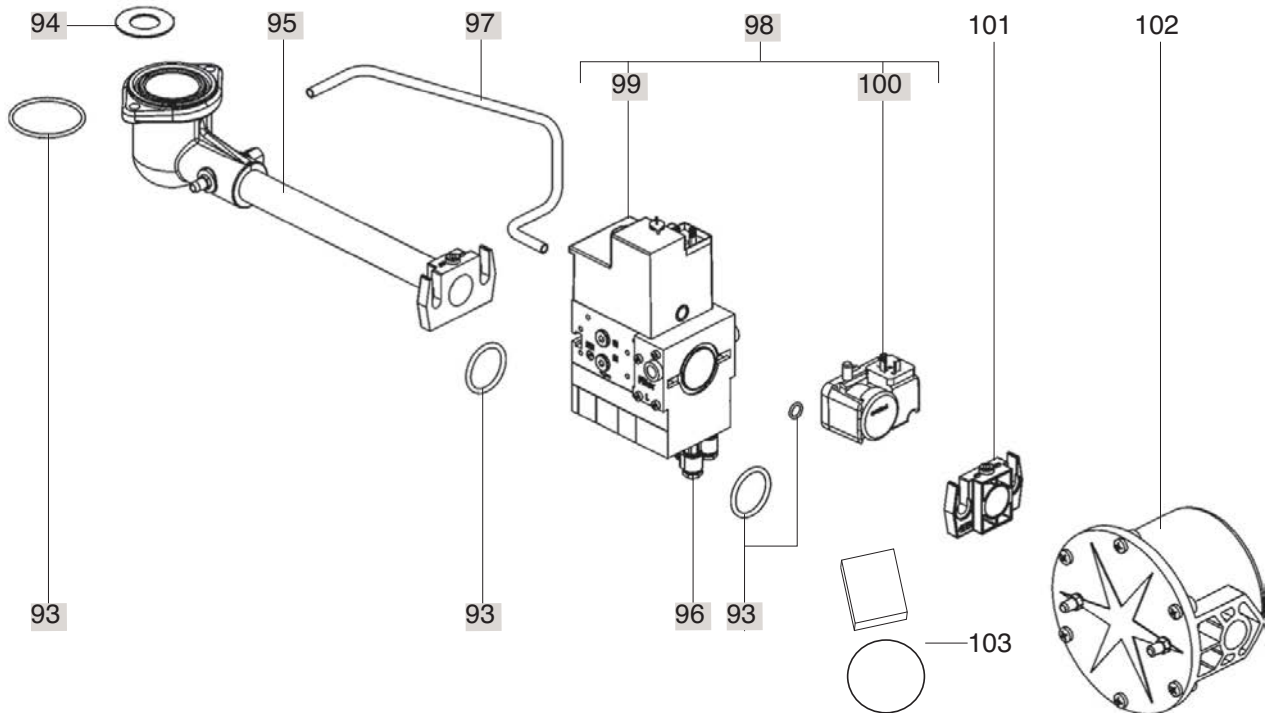
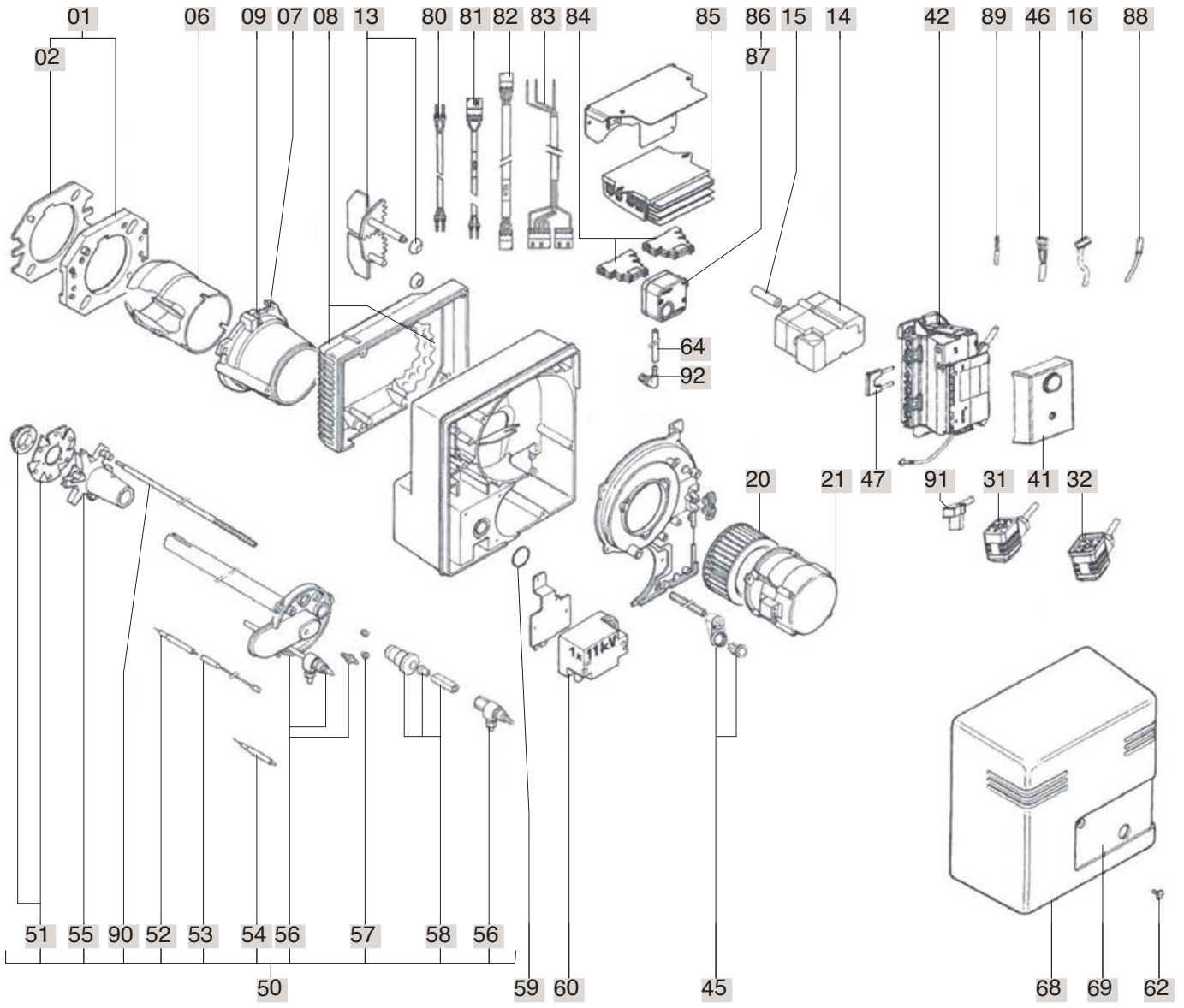
1	13020927	CORPS C24 GX807/8	T1	01-2006	12-2009
2	13020928	CORPS C24 GX807/8	T2	01-2006	12-2009
3	13020930	BB-C30 GX807/8 T2		01-2006	12-2009
4	13020929	BB-C30 GX807/8 T1		01-2006	12-2009
5	13005242	GT -D317 - 3/4 -RP3/4		01-2006	12-2009
6	13005241	GT -D316 - 1 1/4 - RP1 1/4		01-2006	12-2009
Col	Reference	Model type		Begin	End



☉⇒	Description	Manf. Pt N	Type	<div style="display: flex; justify-content: space-between; align-items: center;"> <div style="writing-mode: vertical-rl; transform: rotate(180deg); font-size: 8px; margin-right: 5px;"> BB-C24 GX807/8 T1 BB-C24 GX807/8 T2 BB-C30 GX807/8 T1 BB-C30 GX807/8 T2 GT-R311 - 3/4" - Rp3/4" GT-R316 - 1 1/4-Rp 1 1/4 </div> <div style="border: 1px solid black; padding: 2px; font-size: 10px; margin-left: 5px;"> 0-0 31 </div> </div>																		From	to
				1	2	3	4	5	6	7	8	9	10	11	12	13	14	15	16	17	18		
0001	BOILER ACCESSORY D126	13009972		•	•	•	•																
0002	GASKET/BURNER FLANGE 215X175X8 D126	13009973		•	•	•	•																
0006	FLAME TUBE D115/100 L182	13009974		•																			
	FLAME TUBE D115/100 L302	13009975			•																		
	FLAME TUBE D115/124/100 L182	13009976					•																
	FLAME TUBE D115/124/100 L302	13009977				•																	
0007	FIXING HEAD D115 PAINTED VECTR.03/C20-30	13011569		•	•	•	•																
0008	CASING AIR INTAKE+ INSULATION VECTR.03/C	13011570		•	•	•	•																
0009	M6 SCREW (LEFT HAND) BURNER TUBE FIX.	13007804		•	•	•	•																
0013	AIR FLAP SET VECTR.03/C18-30	13009978		•	•	•	•																
0014	ACTUATOR STA 19 BO36/12	13010011		•	•	•	•																
0015	COUPLING D16/10X50 AIR FLAP/ACTUATOR	13009979		•	•	•	•																
0016	CABLE ACTUATOR+PLUG9P/RAST5P+RAST4P L480	13012227		•	•	•	•																
0020	FAN WHEEL D160X52 D12,7	13010095		•	•	•	•																
0021	MOTOR 0,25KW230/400V D12,7	13021381		•	•	•	•																
0031	CABLE SP.DRIVES+PLUG DIN/2P 2X0,75 L1500	13021380		•	•	•	•																
0032	CABLE GAS P.SWITCH+PLUG DIN/RAST3P L1500	13010080		•	•	•	•																
0041	CONTROL UNIT SG 513 C2	13011099		•	•	•	•																
0042	ELEC. CONNECTION BOX GAS	13010521		•	•	•	•																
0045	RELEASE BUTTON SET	13011087		•	•	•	•																
0046	CABLE RESET+PLUG FASTON/RAST4P L350	13011088		•	•	•	•																
0047	CONNECTION FOR IONIZATION	13010524		•	•	•	•																
0050	GAS ROD HEAD KPL KL/T2	13013595			•	•																	
	LANCE GAS HEAD KPL KN/T1	13013594		•		•																	
0051	BAFFLE PLATE D91/30 6SL ELECT. SIMPLE	13010020		•	•	•	•																
0052	IGNIT.ELECTRODE D6X80 D4 D2X7 FLANGE	13010528		•	•	•	•																
0053	IGNITION CABLE D4/D4 L500+SLEEVE	13009989		•			•																
	IGNITION CABLE D4/D4 L625	13009990			•	•																	
0054	IONISATION PROBE D8X80 D4 D2X27 80° F+S	13010529		•	•	•	•																
0055	STAR HEAD D.93	13010023		•	•	•	•																
0056	GAS CONNECTION HEAD KL/T2	13010026			•	•																	
	GAS CONNECTION HEAD KN/T1	13010025		•		•																	
0057	GROMMET D.5/9/IGNITION LEAD	13007808		•	•	•	•																
	RUBBER FUNNEL / IONISATION YELLOW	13010027		•	•	•	•																
0058	BUTTON AND SLIDING GAUGE	13007852		•	•	•	•																
0059	O-RING D30X4	13010035		•	•	•	•																
0060	IGNITION TRANSFO.EBI 1X11 230V+EARTH CO.	65300715		•	•	•	•																
0062	OVAL HEAD SCREW	13007853		•	•	•	•																
0064	D4/6 TUBE	13014337		•	•	•	•																
0068	COVER BURNER VL,VG 03D	13012048		•	•	•	•																
0069	FRONT PLATE COVER VL,VG03	13012049		•	•	•	•																
0080	CABLE RELAY/SPEED DRIVES+2X0,75 L400	13011103		•	•	•	•																
0081	CABLE RELAY/K7+RAST3P 2X0,75 L400	13011105		•	•	•	•																
0082	CABLE SPEED DRIVES+RAST3P L450	13021376		•	•	•	•																
0083	CABLE REGUL.+RAST5P+RAST4P 3X0,75 L400	13021377		•	•	•	•																
0084	RELAY FIND 34.51.7.060.0010+PLUG-IN BASE	13021375		•	•	•	•																
0085	SPEED DRIVE ACC	13021378		•	•	•	•																
0086	AIR PRESS.SWITCH LGW 3 A2 0,4-3MB	13010030		•	•	•	•																
0087	PRESSURE CONTROL DEVICE HOLDER	13007822		•	•	•	•																
0088	IONISATION CABLE MC4/D4 L625X2	13010021		•			•																
	IONISATION CABLE MC4/D4 L750 (X2)	13010022			•																		
	IONISATION CABLE MC4/D4 L850	13020809				•																	
0089	CABLE AIR PRES.SWITCH+RAST2P/2X0,75 L350	13012225		•	•	•	•																
0090	FURNACE PRESSURE TAKE OFF KL/T2	13010033			•	•																	
	FURNACE PRESSURE TAKE OFF KN/T1	13010024		•			•																
0091	CABLE TRANSF/SP.DRIVES+RAST2P 2X0,75L300	13021379		•	•	•	•																
0092	AIR PRESSURE TAP	13013352		•	•	•	•																
0093	GASKET SET MBVEF 412	13010086								•													
	GASKET SET MBVEF407	13011572								•													
0094	FLANGE/GAS TUBE RP 1 1/4	13012043								•													
	FLANGE/GAS TUBE RP 3/4	13012042								•													
0095	PRESSURE TAP R1/8	13009722								•	•												
0096	FLANGE MB410/412 R1 1/4Z+TEST NIPLE	1478437414								•													
0097	SET PRESSURE TUBES (300MBAR)	13012044								•													
	SET PRESSURE TUBES(20MBAR)	13012045								•													
0098	GAS VALVE MBVEF407 B01 S30 RP3/4"PL=1.2	13011113								•													
	GAS VALVE MBVEF412 B01 S10 RP1"1/4	13010082								•													
0099	FILTERING ELEMENT /MB...405/407	13016011								•													
	FILTERING ELEMENT /MB...410/412	13016012								•													
0100	GAS PRESS. SWITCH GW 150 A5 30-150MB DIN	13010078								•	•												

C24, C30 GX807/8

Gas burners



BR-C24 GX807/8 T1
 BR-C24 GX807/8 T2
 BR-C30 GX807/8 T1
 BR-C30 GX807/8 T2
 GT-03T - 3/4" - Rp3/4"
 GT-03T6 - 1 1/4" - Rp 1 1/4"

31

	Description	Manf. Pt. N	Type																			From	to														
				1	2	3	4	5	6	7	8	9	10	11	12	13	14	15	16	17	18																
0101	FLANGE MB405/407 RP3/4 +O-RING	13010074																																			
	FLANGE MB410/412 RP1 1/4	13010085																																			
0102	EXTERNAL FILTER ANELLO RP1	13016006																																			
0103	FILTERING ELEMENT RP1"-1 1/2"	13010093																																			

