



SPARE PARTS EXPLODED VIEW GAS BURNERS

Model

CB-NC46-61 GX9/GX10A/TC

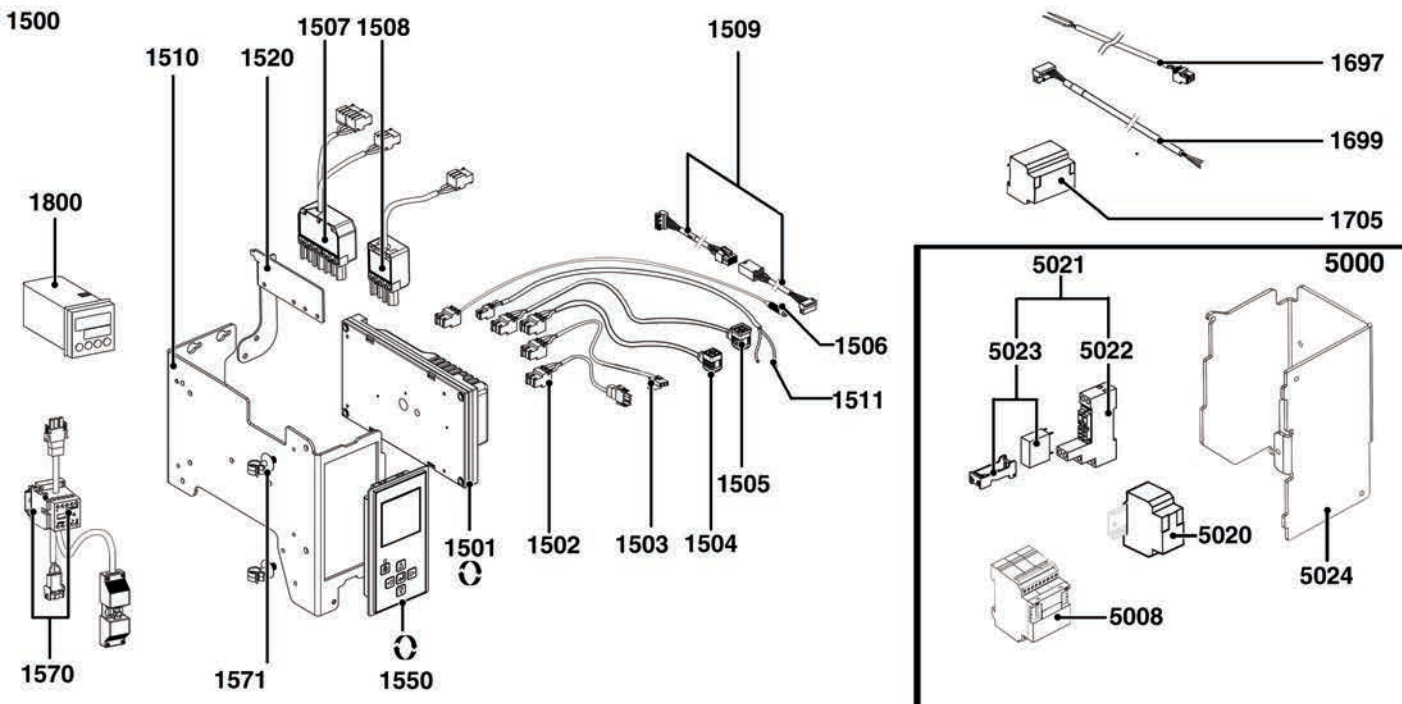
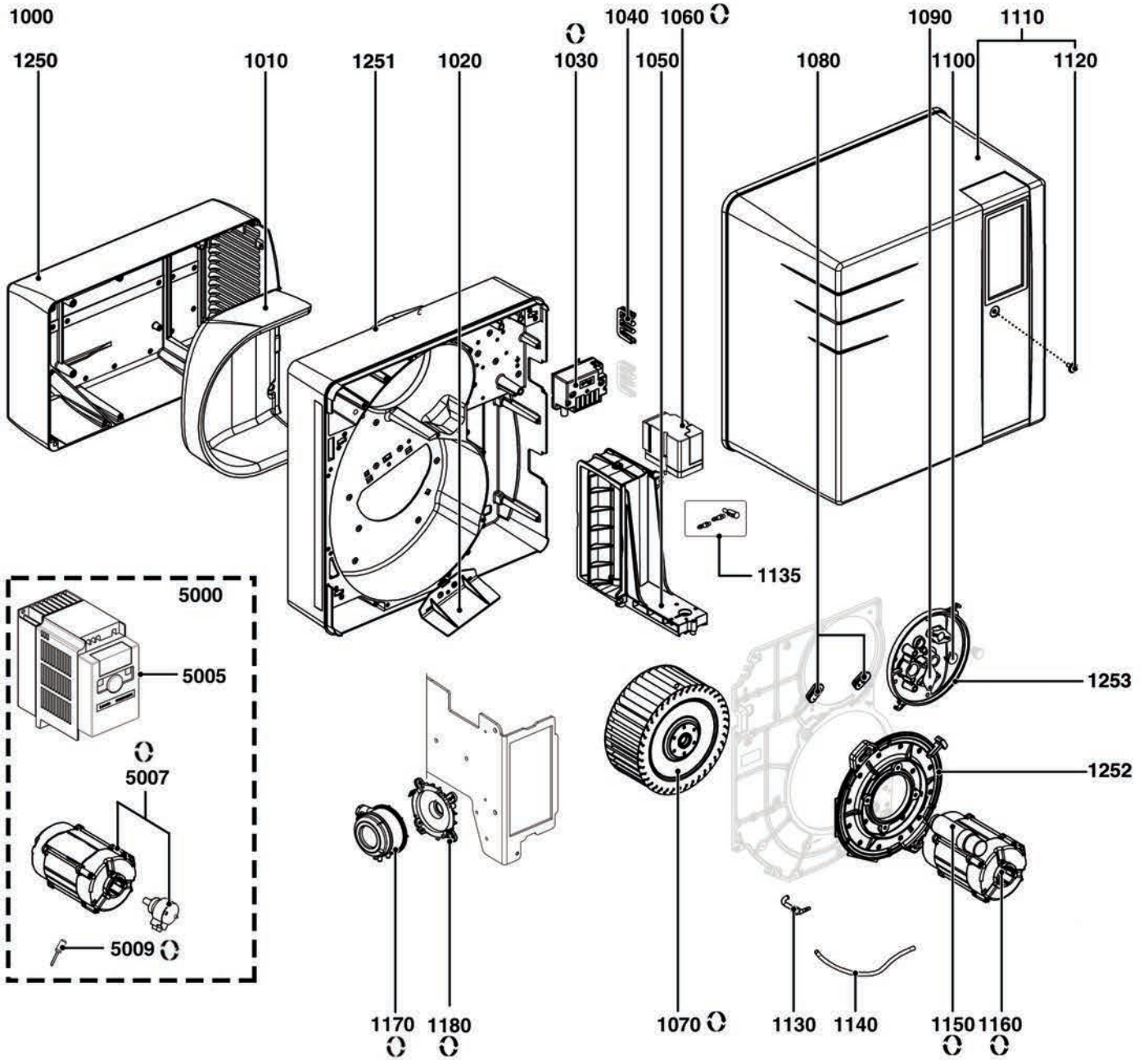
R8220094-04 - 21/06/2021

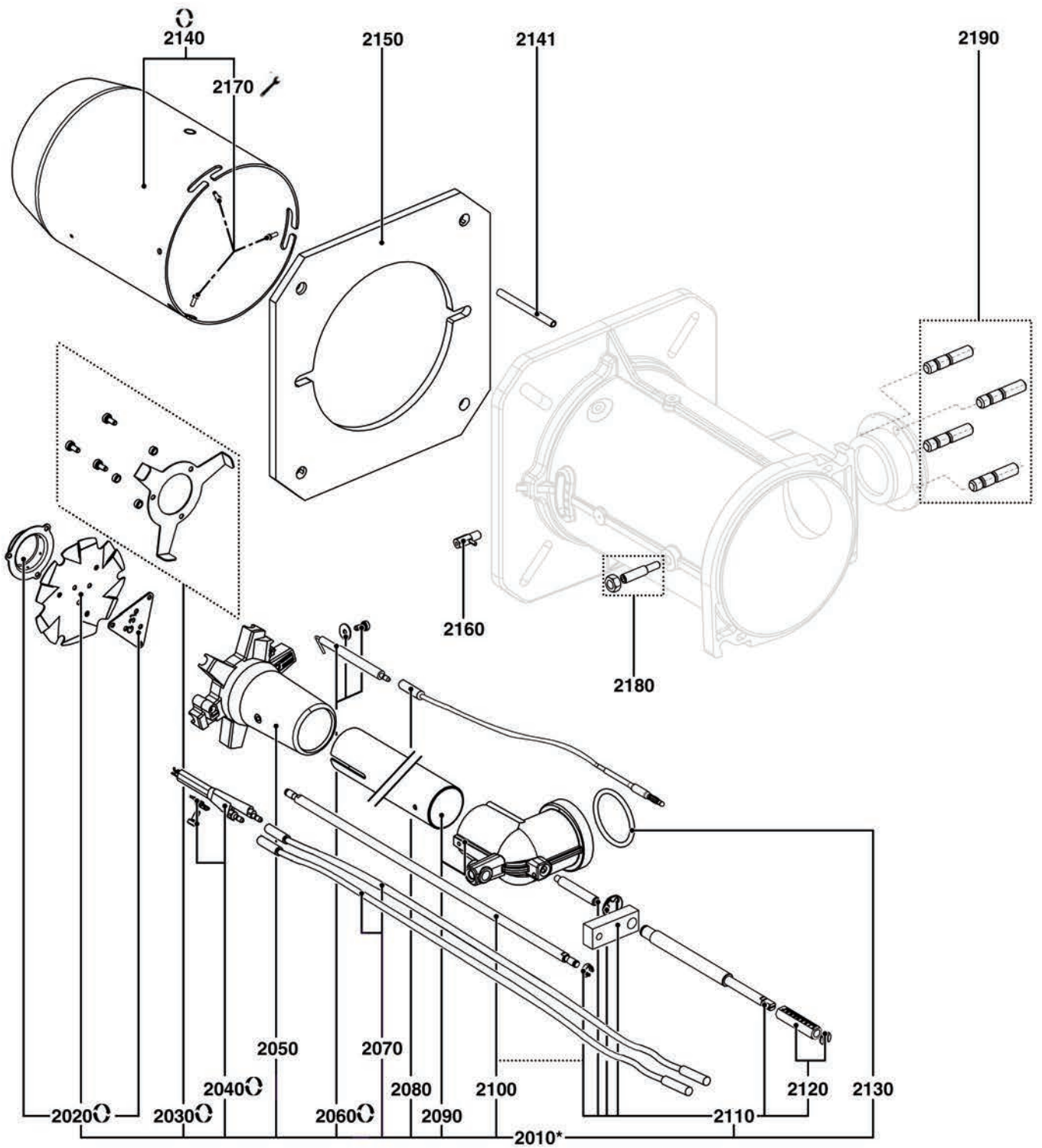
CB-NC46-61 GX9/GX10A/TC

Gas burners

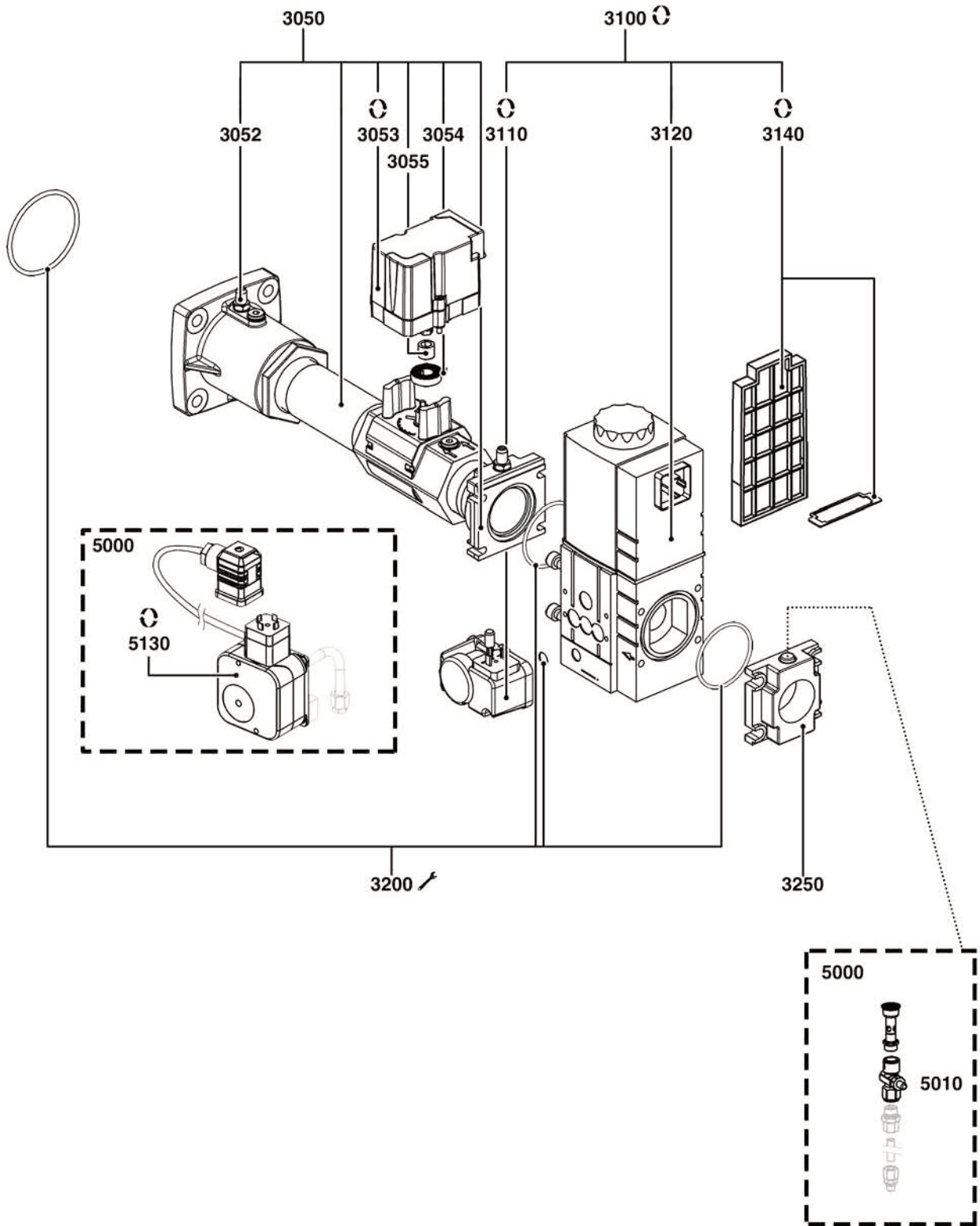
1	3833677	BB-NC46 GX907/8A /TC	10-2013	-
2	3836583	BB-NC46 GX907/8A /TC LCM	07-2018	-
3	3833678	BB-NC61 GX907/8A /TC	10-2013	-
3	3836980	BB-NC61 GX907/8A /TC/PED	03-2020	-
4	3836094	BB-NC61 GX907/8A /TC LCM	07-2017	-
4	3836953	BB-NC61 GX907/8A /TC LCM S	11-2019	-
5	3837010	BB-NC61 GX 1007/8A /TC RWF50	11-2020	-
6	3832009	CH-G0531-T1/KN	06-2008	-
7	3833178	CH-G0531-T2/KL	01-2010	-
8	3833639	GT-D415-3/4"-RP1"1/4/TC	01-2013	-
9	3833640	GT-D416-1"1/2-RP1"1/2/TC	01-2013	-

Col	Reference	Model type	Begin	End
-----	-----------	------------	-------	-----





Description	Manf. Pt. N	Type	BB-NC46 GX907/8A /TC BB-NC46 GX1007/8A /TC LGM BB-NC61 GX907/8A /TC BB-NC61 GX1007/8A /TC CH-G0531-T-TZKL CH-G0531-T-TXN GT-D4 1/2-3/4" -RP 1"1/4/TC GT-D4 1/2-1"1/2-RP1"1/2/TC																		From	to
			1	2	3	4	5	6	7	8	9	10	11	12	13	14	15	16	17	18		
2000 COMBUSTION HEAD																						
2010 COMB.HEAD GAS L416 D100/110 CPL.	65300815																					
COMB.HEAD GAS L556 D100/110 CPL.	65300816																					
2020 SET BAFFLE PLATE D100 6SL H6+NOZ.D50+CAP	13006684																					
2030 SHUTTER LPG D110/59/37 3 BRANCHS+SCREWS	65300835																					
2040 ELECTRODE BLOCK 12X46 D4 D1,2X10	65300738																					
2050 GAS HEAD L107 D110/40 6 BRANCH.	13007798																					
2060 IONISATION PROBE D8X80 d4 D2X27 80° F+S	13010529																					
2070 IGNITION CABLE D4/D4 L850	13020808																					
2080 IONISATION CABLE MC4/D4 L650	13015121																					
IONISATION CABLE MC4/D4 L850	13020809																					
2090 GAS ELBOW D45/40 L57,5/55 90°+TU.D40L317	65300817																					
GAS ELBOW D45/40 L57,5/55 90°+TU.D40L457	65300818																					
2100 ADJUST ROD D6/8/6 L416+CLIPS D6	65300819																					
ADJUST ROD D6/8/6 L556+CLIPS D6	65300820																					
2110 ADJUST ROD D8/12/10 L172+SPACER 45MM	65300821																					
2120 VERNIER D12/8 L48 (0 - 40)+CIRCLIP D6	65300554																					
2130 O-RING D45X4	13015499																					
2140 FLAME TUBE D150/125/100 L277	65300822																					
FLAME TUBE D150/125/100 L417	65300823																					
2141 FURNACE PRESSURE TUBE LG.200MM	65301184																					
FURNACE PRESSURE TUBE LG.350MM	65301185																					
2150 GASKET/BURNER FLANGE 244X244X8 D158	13007803																					
2160 LEVER HEX.8 D7 L25 M4/FLAMETUBE ROTATION	13007802																					
2170 SCREW M6 LEFT THREAD/FLAME TUBE (X.3)	13007804																					
2180 SCREW M8X40+NUT/FIX.GAS ELBOW	65300557																					
2190 KIT HEXAGONAL NUT+SCREWS M10X40	13016814																					



☉⇒	Description	Manf. Pt. N	Type	<div style="display: flex; justify-content: space-between; font-size: 8px; transform: rotate(-45deg);"> BB-NC46 GX907/8A /TC BB-NC46 GX1007/8A /TC LDM BB-NC61 GX907/8A /TC BB-NC61 GX1007/8A /TC CH-G0531-T1MXN GT-DM15-3/4"-RP1"1/4"/TC GT-DM16-1"1/2-RP1"1/2"/TC </div>																		<div style="border: 1px solid black; padding: 2px; display: inline-block;">31</div>	
				1	2	3	4	5	6	7	8	9	10	11	12	13	14	15	16	17	18	From	to
3000	GAS TRAIN																						
3050	GAS COLLECTOR 106X106/RP1 1/2 L395+STE 4	65300978							●														
	GAS COLLECTOR 106X106/RP1 1/2 L410+STE 4	65300979								●													
3052	PRESSURE TAP R1/8	13009722							●														
3053	ACTUATOR STE 4,5 B0.37/6-R + CABLE L600	65300527							●														
3054	SPRING SPIRAL D35X6,5 1,2NM/ACTUATOR	13009688							●														
3055	RING D12,8/11,4X10/ACTUATOR	13014901							●														
3100	GAS VALVE MBC300 SE S22	13021869							●														
	GAS VALVE MBC700 SE S22 RP1 1/4	13021870								●													
3110	GAS PRESS.SWITCH GW 150 A5 5-150MB	13010078							●														
3120	COIL DUN N° 32/P MBC300	13022418							●														
	COIL DUN N° 42/P MBC700-SV520	13022419								●													
3140	STRAINER MBC 300	13022415							●														
	STRAINER MBC 700	13022416								●													
3200	O-RING KIT D70X3+D74X3 (2)D11X2/MBC700	65300981							●														
3250	FLANGE MB415/420 RP1 1/2 + PRES.PLUG	65322637							●														
	FLANGE MBC300 RP1 1/4	13022621							●														
5000	ACCESSORIES																						
5010	TRIAL BURNER WITH PUSH-BUTTON PB2	65311362							●														
5130	MAX. GAS PRES. SWITCH UB50 A2+CABLE L600	65326220	PED						●														

CB-NC46-61 GX9/GX10A/TC

Gas burners

ADDRESSES

www.bosch.com



DESCRIZIONE DEI RIFERIMENTI SCHEMIZZATE

- = **Modello** / **Descrizione** / **Accessori**
- = **Versione** / **Descrizione** / **Accessori**
- = **Accessori** / **Descrizione** / **Modello**

NUMEROSI DI IDENTIFICAZIONE

SERIE NUMERAZIONE

10 Characters :

YYMM-000000

10 Characters :

YYMM-000000

Co. Code and Serial number
 Sequential number
 Month of manufacture
 Year of manufacture

AE → 2021
 AG → 2022
 AH → 2023
 etc...

10 Characters :

YY-YY00000000

10 Characters :

YY-YY00000000

Co. Code and Serial number
 Sequential number
 Year of manufacture

21 → 2021
 22 → 2022
 23 → 2023
 24 → 2024
 25 → 2025
 26 → 2026
 etc ...

Dispositivo di riscaldamento a gas. Leggere attentamente il manuale di istruzioni. Per informazioni rivolgersi al rivenditore autorizzato. Bosch Power Tools è un marchio registrato di Robert Bosch Power Tools GmbH. Tutti i diritti sono riservati. © 2021 Bosch Power Tools GmbH. Bosch Power Tools è un marchio registrato di Robert Bosch Power Tools GmbH. Tutti i diritti sono riservati. © 2021 Bosch Power Tools GmbH. Bosch Power Tools è un marchio registrato di Robert Bosch Power Tools GmbH. Tutti i diritti sono riservati. © 2021 Bosch Power Tools GmbH.