



SPARE PARTS EXPLODED VIEW DUAL-FUEL BURNERS

Model

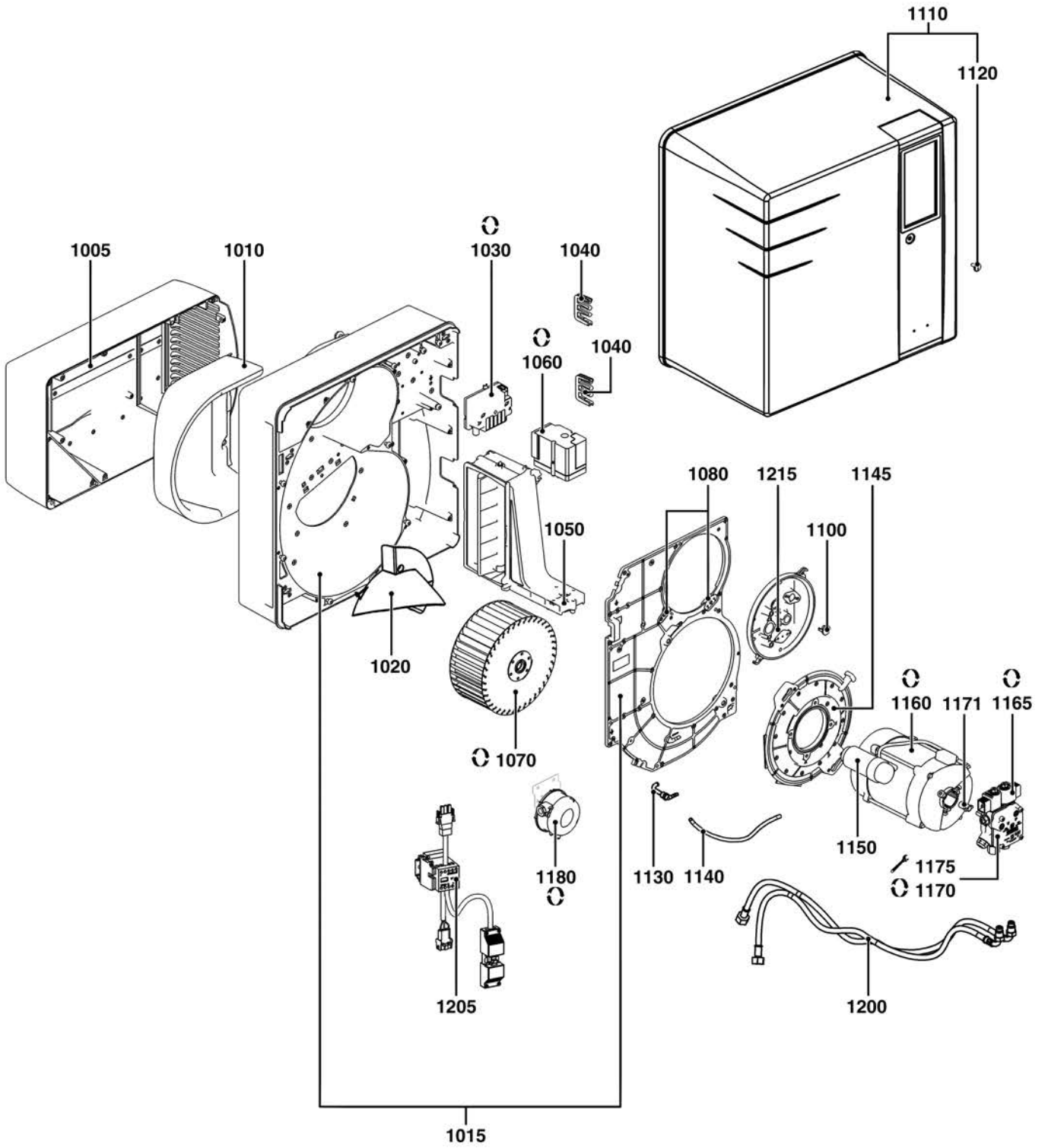
CB-NC46-61-BX5A

R8220105-03 - 07/11/2019

CB-NC46-61-BX5A

Dual-Fuel burner

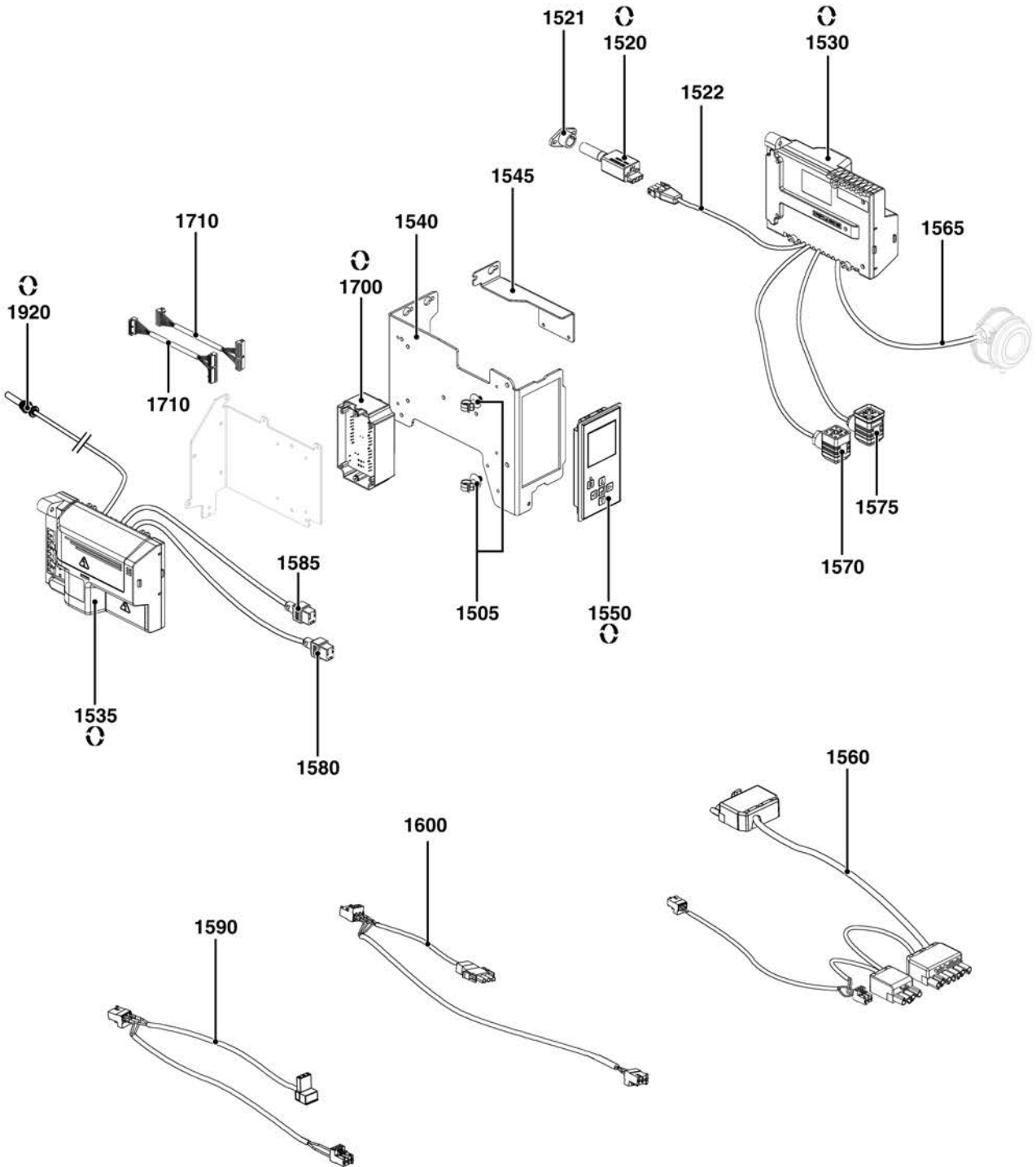
1	3834551	BB-NC 46 BX517A	06-2014	-
2	3834552	BB-NC 61 BX 517A	01-2015	-
3	3834555	CH-D0531 - T1/KN	06-2014	-
4	3834556	CH-D0531 - T2/KL	06-2014	-
5	3834557	CH-D0532 - T1/KN	06-2014	-
6	3834558	CH-D0532 - T2/KL	06-2014	-
7	3832064	GT-D311-3/4"-RP1"	06-2010	-
8	3832063	GT-D312-1"1/4-RP1"1/4	12-2008	-
9	3833192	GT-D327-1"1/2-RP2"	02-2011	-
Col	Reference	Model type	Begin	End

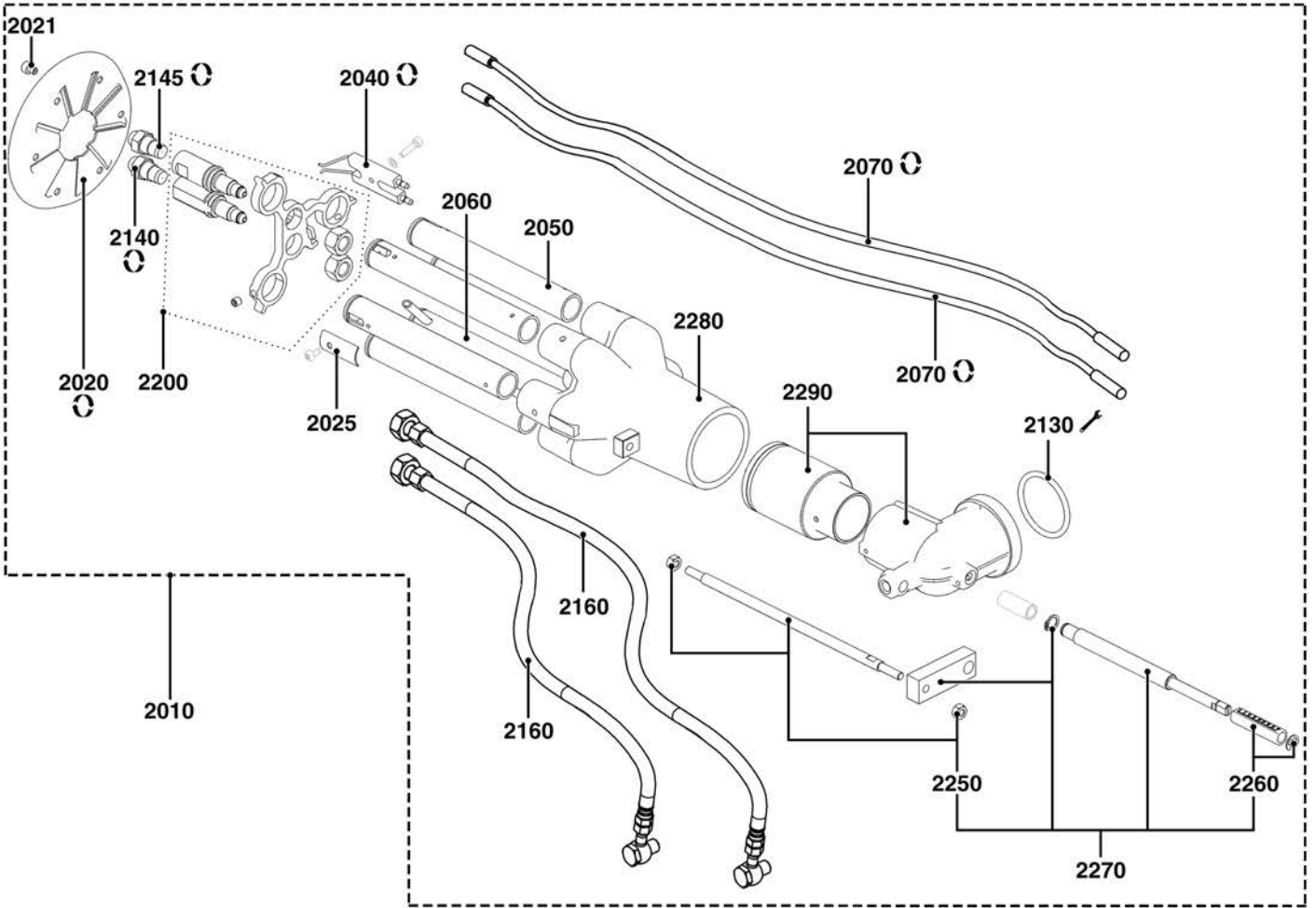
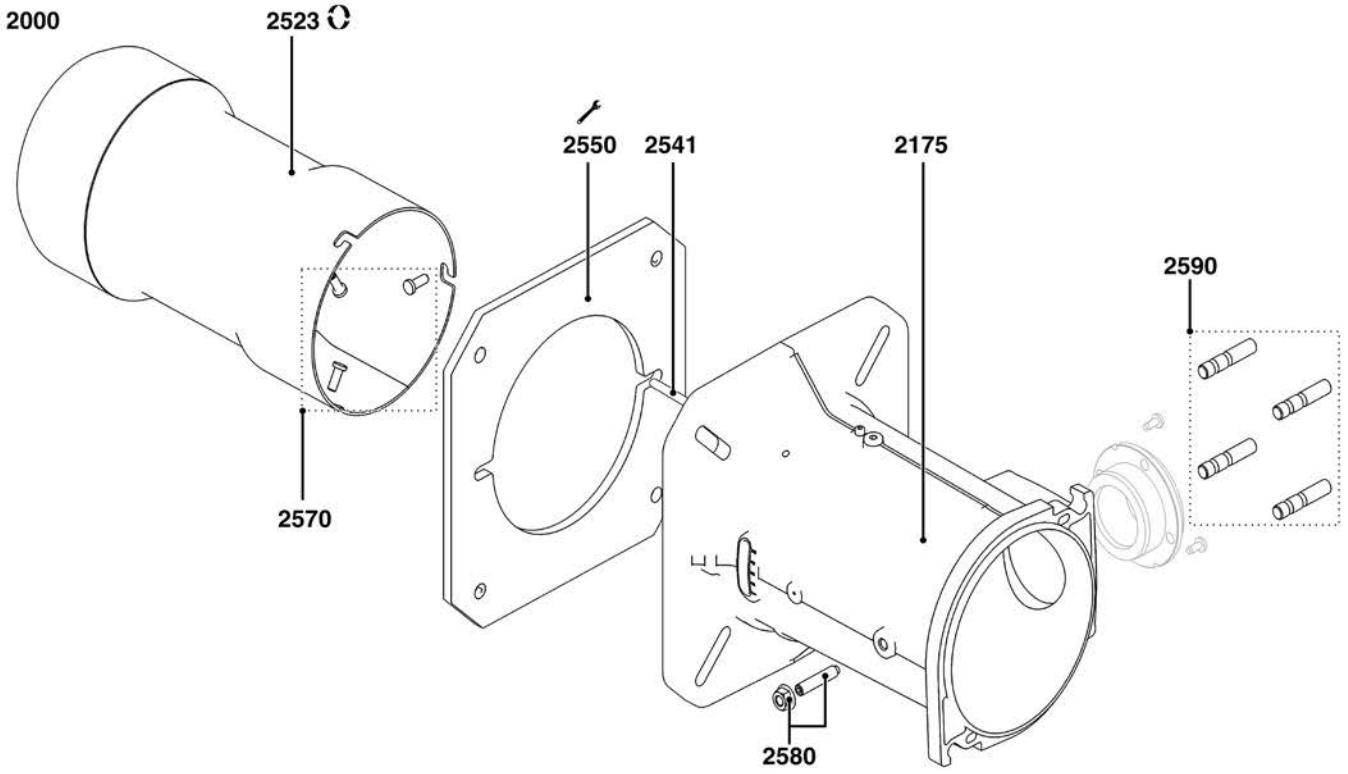


Description	Manf. Pt. N	Type	<div style="display: flex; justify-content: space-between; font-size: 8px; font-weight: bold;"> BB-NC46-BX517A BB-NC61-BX517A CH-D0831-T1/MN CH-D0831-T2/KL CH-D0832-T1/MN CH-D0832-T2/KL GT-D311-3/4-RP1" GT-D312-1"1/4-RP1"1/4 GT-D327-1"1/2-RP2" </div>																		<div style="border: 1px solid black; padding: 2px; display: inline-block;">31</div>	
			1	2	3	4	5	6	7	8	9	10	11	12	13	14	15	16	17	18	From	to
1000 BURNER BODY																						
1005 AIR BOX NC46-61/VECTRON 4	65326874		•	•																		
1010 INSULATION AIR INTAKE BOX	65300808		•	•																		
1015 HOUSING 467X457X103 DRILL.D6 NC46/61/V4	65326235		•	•																		
1020 AIR RECYCL.R115+SPOILER 124X91 55°	65300809		•	•																		
AIR RECYCLING 119/114X60 78° (BLACK)	13017364		•	•																		
1030 IGNITION TRANSFO. EBI 2X7,5 230V	13009663		•	•																		
1040 GROMMET/HOUSING	13016845		•	•																		
1050 AIR FLAP 209X96X81,5 CPL.	65300810		•	•																		
1060 ACTUATOR STE 4,5 B0.37/6-R + CABLE L600	65300527		•	•																		
1070 FAN WHEEL D180X75 D12,7	13011096		•	•																		
FAN WHEEL D190X82 D12,7	65300811		•	•																		
1080 GROMMET/PLATE	65300517		•	•																		
1100 SIGHT GLASS D18/14X5 BLUE	13007807		•	•																		
1110 COVER GREY 458X462X276+SCREW/NC46-61	65300830		•	•																		
1120 FLAT HEAD SCREW M5X15	65300519		•	•																		
1130 AIR PRESSURE PLUG G1/8+TUBE D8/6 L49 90°	13022500		•	•																		
1140 HOSE D4/7 L500 SILICONE	13015497		•	•																		
1145 MOTOR MOUNT. PLATE VECTRON 4 / NC46-61	65301222		•	•																		
1150 CAPACITOR 12µF 2P 3mm	13015715	ACC	•	•																		
CAPACITOR 16µF 2P 6,4mm	65301178	ACC	•	•																		
CAPACITOR 16µF 2P 6,4mm	65301178	SIMEL	•	•																		
CAPACITOR 18µF 2P 6,4mm	65301177	SIMEL	•	•																		
1160 MOTOR 0,42KW 230V D12,7	65300813		•	•																		
MOTOR 0,75KW 230V D12,7	65300814		•	•																		
1165 COIL SUN PUMP AS-AP-AL-AT-A2L	13010006		•	•																		
1170 OIL PUMP A2L 65 C 97xx 4P 0500	65300015		•	•																		
1171 COUPLING D18/14,7/11X22 PUMP/MOTOR	65074172		•	•																		
1175 KIT COVER GASKET+FILTER D20 SUNTEC A	13010470		•	•																		
1180 AIR PRESS.SWITCH 604.92 1-10MB	65300021		•	•																		
1200 OIL HOSE DN6 G3/8F G1/4M 90° L1500+NIP.	12002251		•	•																		
1205 AUX.RELAY/MOTOR C05+CABLE+CONNECT.	65301069		•	•																		
1215 COVER HEAD D164/153X25+GUIDE D5X56	65326875		•	•																		

CB-NC46-61-BX5A

Dual-Fuel burner





5000

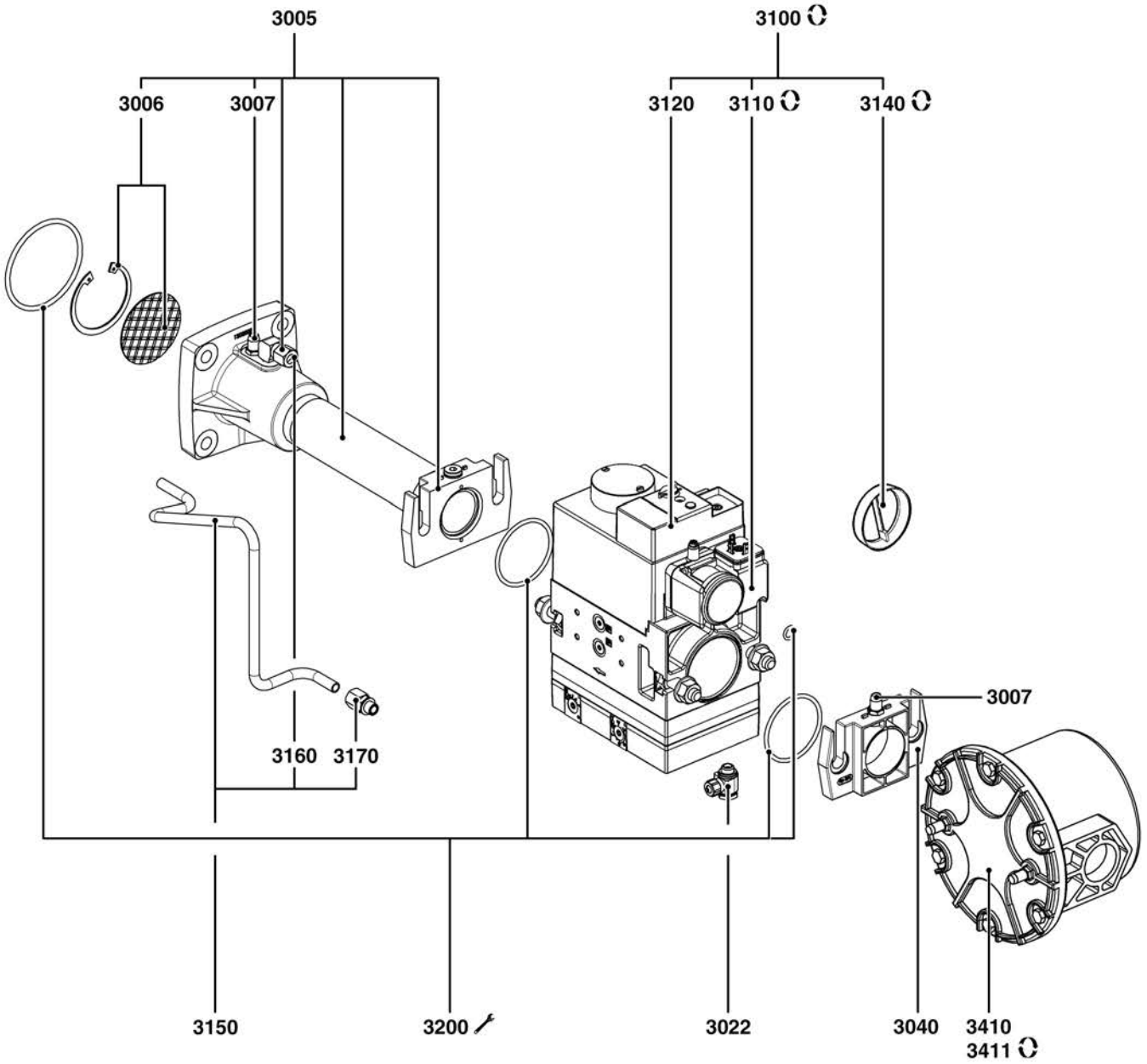
5001



BB-NC46-BX517A
 BB-NC61-BX517A
 CH-D0831 - T1/MN
 CH-D0831 - T2/KL
 CH-D0832 - T1/MN
 CH-D0832 - T2/KL
 GT-D311-3/4-RP1"
 GT-D312-1"1/4-RP1"1/4
 GT-D327-1"1/2-RP2"

31

2000	Description	Manf. Pt. N	Type																		
				1	2	3	4	5	6	7	8	9	10	11	12	13	14	15	16	17	18
COMBUSTION HEAD																					
2010	COMB.HEAD D.FUEL L225 D125+NOZ.2,5+4GPH	65301237					●														
	COMB.HEAD D.FUEL L225 D125+NOZ.4,5+3GPH	65301238								●											
	COMB.HEAD D.FUEL L365 D125+NOZ.2,5+4GPH.	65301239					●														
	COMB.HEAD D.FUEL L365 D125+NOZ.4,5+3GPH	65301240									●										
2020	BAFFLE PLATE D125/40 9SL	65301243				●	●	●	●												
2021	SCREW SET NATURAL GAS	13010062				●	●	●	●												
2025	GAS SHUTTER	65301244				●	●	●	●												
2040	ELECTROD.BLOC.25X48 D4D1,5X22 45° +SCREW	13007907				●	●	●	●												
2050	GAS TUBE	65301245				●	●	●	●												
2060	GAS TUBE/IGNITION	65301246				●	●	●	●												
2070	IGNITION CABLE D4/D4 L850 CARBON	13020808				●	●	●	●												
2130	O-RING D45X4	13015499				●	●	●	●												
2140	NOZZLE DAN 2,50 GPH 60° S	13016090				●	●														
	NOZZLE DAN 3,00 GPH 60° S	65074670							●	●											
2145	NOZZLE DAN 4,00 GPH 60° S	65074673				●	●														
	NOZZLE DAN 4,50 GPH 60° S	13018353							●	●											
2160	OIL HOSE DASH03 BANJO3/8-G3/8F JIC L1100	65301195				●	●	●	●												
2175	FLANGE FIX. HEAD D155 L247/VG4-NC46/61 G	65326210				●	●	●	●												
2200	NOZZLE HOLDER CPL.	65301247				●	●	●	●												
2250	ADJUST ROD D8 L225 M6-M6	65301248				●			●												
	ADJUST ROD D8 L365 M6-M6	65301249							●		●										
2260	ADJUST SCALE+CIRCLIPS	65301250				●	●	●	●												
2270	ADJUST ROD D8-M6 L225+ROD L172+VERNIER	65301261				●			●												
	ADJUST ROD D8-M6 L365+ROD L172+VERNIER	65301262							●		●										
2280	GAS HEAD L154 D90/55 6 TUBES D22	65301263				●	●	●	●												
2290	GAS ELBOW D45 L57,5/55 90°+TU.D40/55 L89	65301264				●			●												
	GAS ELBOW D45 L57,5/55 90°+TU.D40/55L229	65301265							●		●										
2523	FLAME TUBE D150/132/160/137 L312	65301241				●			●												
	FLAME TUBE D150/132/160/137 L452	65301242							●		●										
2541	FURNACE PRESSURE TUBE LG.200MM	65301184				●			●												
	FURNACE PRESSURE TUBE LG.350MM	65301185							●		●										
2550	GASKET/BURNER FLANGE 244X244X8 D158	13007803				●	●	●	●												
2570	SCREWS M6 FIX FLAME TUBE (3 PIECES)	13007804				●	●	●	●												
2580	SCREW+NUT M8X40	65300557				●	●	●	●												
2590	KIT HEXAGONAL NUT+SCREWS M10X40	13016814				●	●	●	●												
5000 ACCESSORIES																					
5001	NOZZLE DAN 2,00 GPH 60° S	13016092				●	●	●	●												
	NOZZLE DAN 3,00 GPH 60° S	65074670				●	●														
	NOZZLE DAN 4,00 GPH 60° S	65074673				●	●	●	●												
	NOZZLE DAN 5,00 GPH 60° S	65074675							●	●											
	NOZZLE DAN 5,50 GPH 60° S	65074676							●	●											



☉	Description	Manf. Pt. N	Type	<div style="display: flex; justify-content: space-between; font-size: 8px;"> BB-NC46 BX517A BB-NC61 BX517A CH-D0831 - T1/MN CH-D0832 - T2/KL CH-D0832 - T1/MN GT-D311-3/4-RP1" GT-D312-1"1/4-RP1"1/4 GT-D327-1"1/2-RP2" </div>																		<div style="display: flex; align-items: center; gap: 5px;"> 31 </div>	
				1	2	3	4	5	6	7	8	9	10	11	12	13	14	15	16	17	18	From	to
3000	GAS TRAIN																						
3005	GAS COLLECTOR 106X106/RP1 1/4 L230 D75	13014012								●													
	GAS COLLECTOR 106X106/RP2 L286 D75 AGP	13011796									●												
	GAS COLLECTOR 106X106/RP3/4 L279 D75 AGP	13014011								●													
3006	STABILISER + CIRCLIP D60	13011367								●	●	●											
3007	PRESSURE TAP R1/8	13009722								●	●	●											
3022	BANJO UNION LCK-G1/8-PK4	13020682								●	●	●											
3040	FLANGE MB405/407 RP3/4 O-RING	13010074								●													
	FLANGE MB412 RP1 1/4	13022858									●												
	FLANGE MB420 RP2 + PRES.PLUG	13007859										●											
3100	GAS VALVE MB-VEF407 B01 S30 RP3/4 PL=1,2	13011113								●													
	GAS VALVE MB-VEF412 B01 S10 RP1 1/4	13010082									●												
	GAS VALVE MB-VEF420 B01 S10 RP2+FP	13011725										●											
3110	GAS PRESS.SWITCH GW 150 A5 5-150MB	13010078								●	●	●											
3120	COIL DUN N° 1105 MBVEF407	13010083								●													
	COIL DUN N° 1205 MBVEF412	13010084									●												
	DUN COIL No. 1215 MBVEF420	13011726										●											
3140	STRAINER D20 / MB..405/407	65326948								●											01/17		
	STRAINER D30 / MB..410/412	65327438									●										06/18		
	STRAINER GRID MB. 420	13007901										●											
	STRAINER MB.405-407	13016011								●												12/16	
	STRAINER MB.410-412	13016012									●											05/18	
3150	GAS PRESSURE TUBE MBVEF407+UNION	13022464								●													
	GAS PRESSURE TUBE MBVEF412+UNION	65300649									●												
	GAS PRESSURE TUBE MBVEF420+UNION	65300669										●											
3160	ANGLED UNION	13023188								●	●	●											
3170	UNION G1/8 + GASKET	13023187								●	●	●											
3200	O-RING KIT D70X3+D36X3 (2)+D11X2/MB..407	65300575								●													
	O-RING KIT D70X3+D50X3 (2)+D11X2/MB..412	65300576									●												
	O-RING KIT D70X3+D86X3 (2)+D11X2/MB..420	65300671										●											
3410	EXTERNAL GAS FILTER RP2	13009700										●											
	GAS FILTER ANELLO RP 1	13010092								●	●												
3411	STRAINER GF 510-515+O-RING	13010093								●	●												
	STRAINER GF 520+O-RING	13010044										●											

ADDRESSES

www.miele.com



VERSIAO DE ENDEREÇO DE CORRENZATE

☛ = ~~Endereço de Correio Eletrónico (Miele@Miele.com)~~
= ~~Endereço de Correio Eletrónico (Miele@Miele.com)~~

⊙ = ~~Endereço de Correio Eletrónico (Miele@Miele.com)~~
= ~~Endereço de Correio Eletrónico (Miele@Miele.com)~~

≡ = ~~Endereço de Correio Eletrónico (Miele@Miele.com)~~
= ~~Endereço de Correio Eletrónico (Miele@Miele.com)~~
= ~~Endereço de Correio Eletrónico (Miele@Miele.com)~~

NUMEROS DE ENDEREÇO

77000000000000000000

77000000000000000000 / KRA

Op. ~~Endereço de Correio Eletrónico (Miele@Miele.com)~~ /
Gerätenummer ~~Endereço de Correio Eletrónico (Miele@Miele.com)~~ /
~~Endereço de Correio Eletrónico (Miele@Miele.com)~~ /
~~Endereço de Correio Eletrónico (Miele@Miele.com)~~ /
~~Endereço de Correio Eletrónico (Miele@Miele.com)~~ /
LL → 22004 L IL 202004
MM → 22005 M MI 202005
etc... etc...

80000000000000000000 / NCB

Op. ~~Endereço de Correio Eletrónico (Miele@Miele.com)~~ /
Gerätenummer ~~Endereço de Correio Eletrónico (Miele@Miele.com)~~ /
~~Endereço de Correio Eletrónico (Miele@Miele.com)~~ /
~~Endereço de Correio Eletrónico (Miele@Miele.com)~~ /
~~Endereço de Correio Eletrónico (Miele@Miele.com)~~ /
LL → 22004 L IL 202004
MM → 22005 M MI 202005
etc... etc...

22000711370000000000

Acção de Manutenção Registar ~~Endereço de Correio Eletrónico (Miele@Miele.com)~~ /
~~Endereço de Correio Eletrónico (Miele@Miele.com)~~ /
SSG → 220009
TT → 220010
UU → 220011
VV → 220012
XX → 220013
YY → 220014
ZZ → 220015