



SPARE PARTS EXPLODED VIEW DUAL-FUEL BURNERS

Model

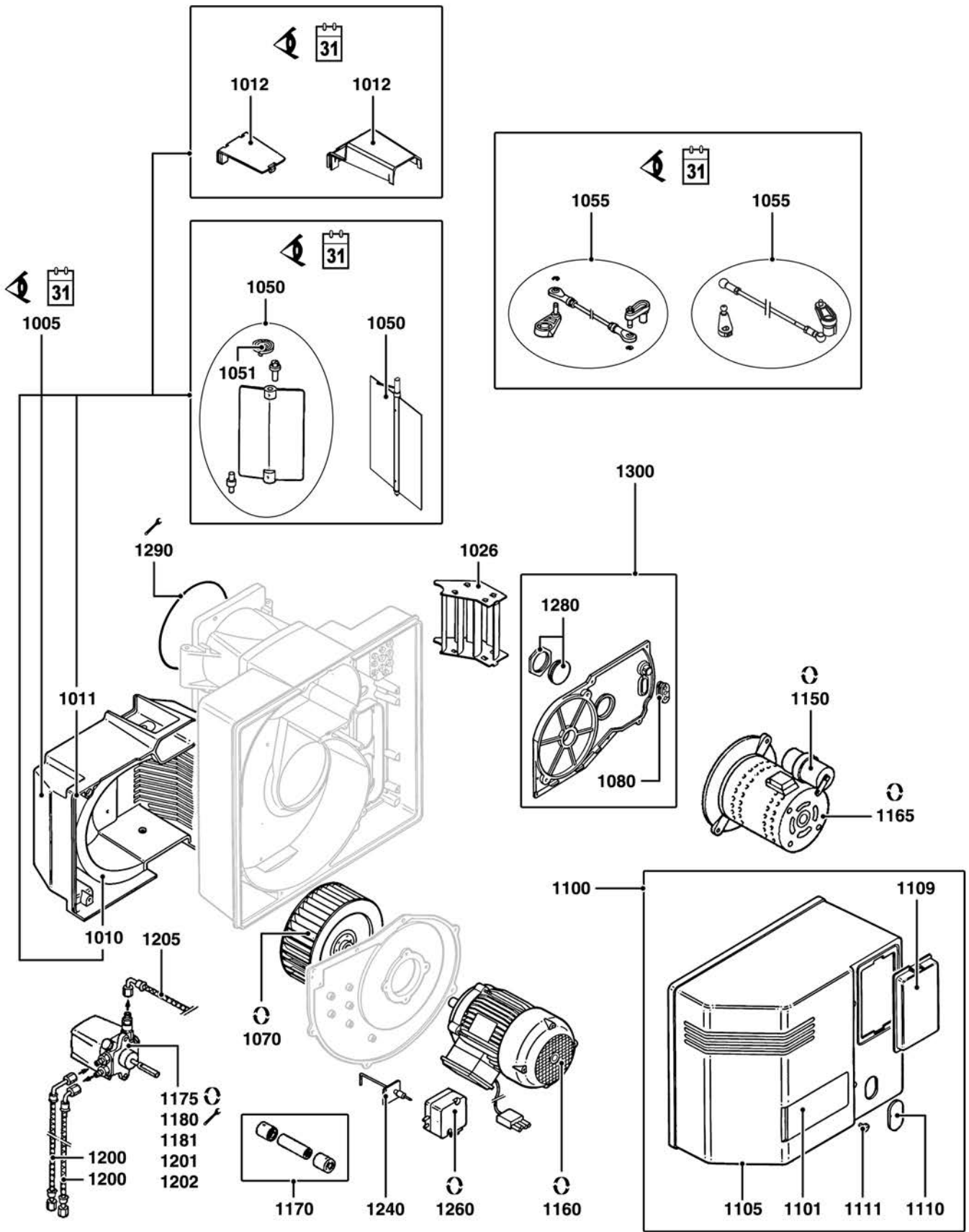
CB-C120-160-210-B5-TC

R8220056-02 - 14/02/2017

CB-C120-160-210-B5-TC

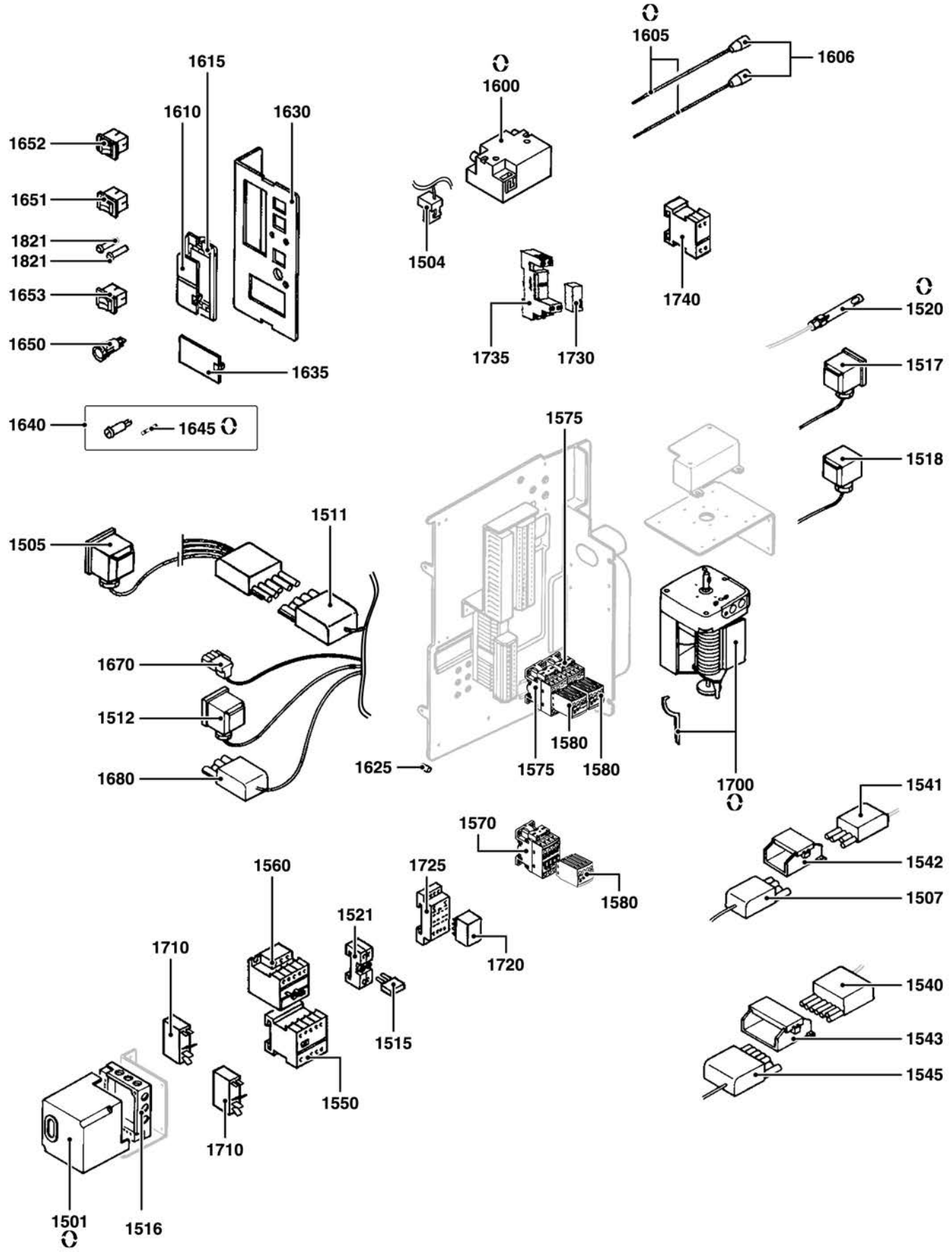
Dual-Fuel burner

1	13005922	BB-C120/160 B517/8/TC	10-2000	-
2	13005928	BB-C210 B517/8/TC	07-2000	-
3	13005917	CH-D731 - T1/KN	10-2000	-
4	13005918	CH-D731 - T2/KL	10-2000	-
5	13005919	CH-D731 - T3/KM	10-2000	-
6	13005929	CH-D732 - T1/KN	07-2000	-
7	13005930	CH-D732 - T2/KL	07-2000	-
8	13005931	CH-D732 - T3/KM	11-2003	-
9	13014760	GT -D31 - 1 1/4 - RP2	08-2000	-
10	13006666	GT -D32 - 1 1/2 - RP2	08-2000	-
11	13014877	GT - D350 - 1 1/2 - RP2 /TC	08-2000	-
12	13006652	GT - D349 - 2 -RP2	08-2000	-
13	13020944	GT -S31 - 2 - RP2	09-2008	04-2016
14	13020853	GT -S32 - 65 - DN65	06-2006	04-2016
15	3832947	GT -S33 - 80 - DN80	10-2009	-
Col	Reference	Model type	Begin	End

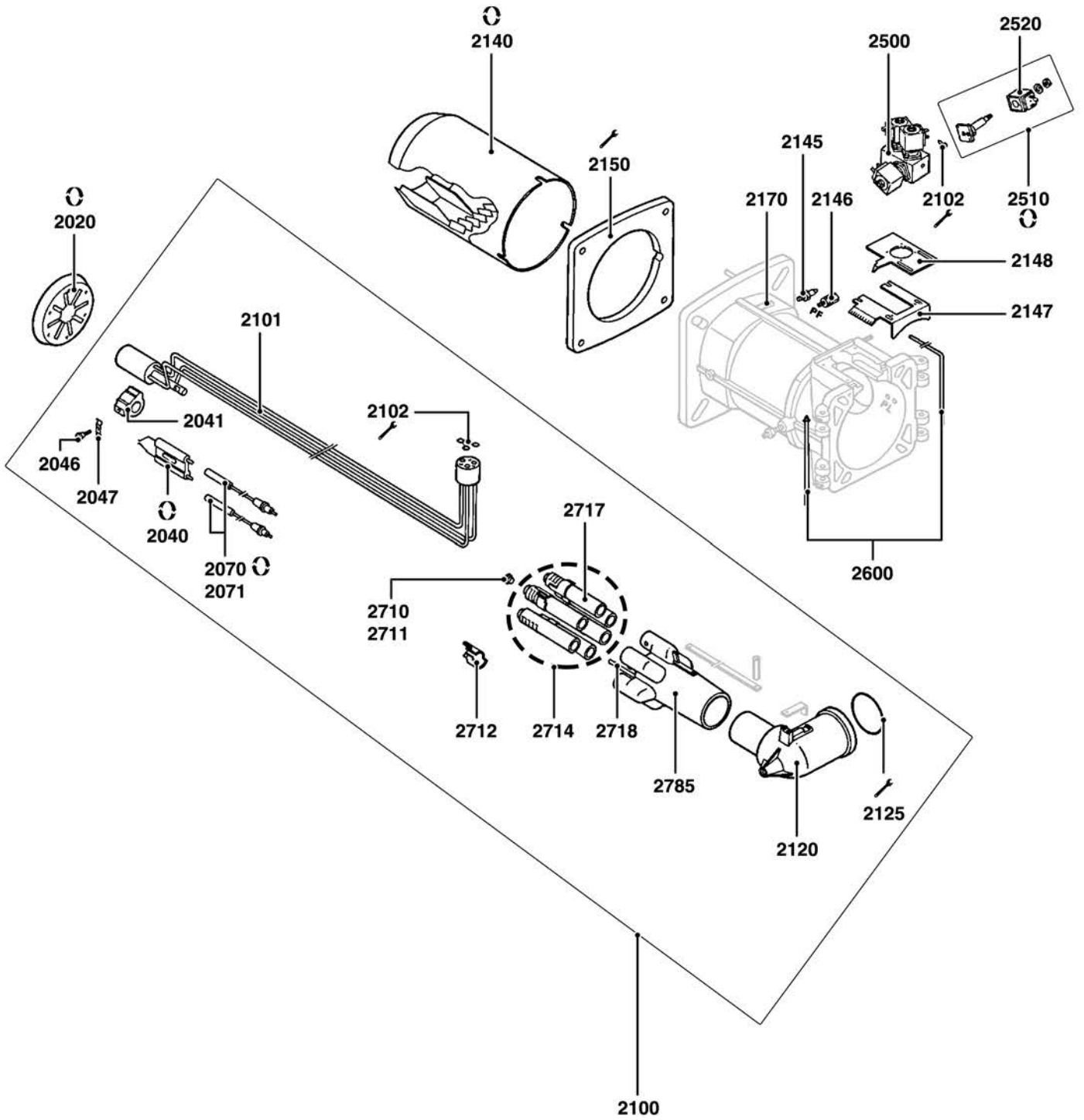


Description	Manf. Pt. N	Type	<div style="display: flex; justify-content: space-between; align-items: center;"> <div style="writing-mode: vertical-rl; transform: rotate(180deg); font-size: 8px; margin: 0 5px;">BB-C120/160-B517/8/TC</div> <div style="writing-mode: vertical-rl; transform: rotate(180deg); font-size: 8px; margin: 0 5px;">BB-C210-B517/8/TC</div> <div style="writing-mode: vertical-rl; transform: rotate(180deg); font-size: 8px; margin: 0 5px;">CH-D731-T1/KN</div> <div style="writing-mode: vertical-rl; transform: rotate(180deg); font-size: 8px; margin: 0 5px;">CH-D731-T2/KL</div> <div style="writing-mode: vertical-rl; transform: rotate(180deg); font-size: 8px; margin: 0 5px;">CH-D731-T3/KM</div> <div style="writing-mode: vertical-rl; transform: rotate(180deg); font-size: 8px; margin: 0 5px;">CH-D732-T1/KN</div> <div style="writing-mode: vertical-rl; transform: rotate(180deg); font-size: 8px; margin: 0 5px;">CH-D732-T2/KL</div> <div style="writing-mode: vertical-rl; transform: rotate(180deg); font-size: 8px; margin: 0 5px;">GT-031-1"14-Rp2"</div> <div style="writing-mode: vertical-rl; transform: rotate(180deg); font-size: 8px; margin: 0 5px;">GT-032-1"12-Rp2"</div> <div style="writing-mode: vertical-rl; transform: rotate(180deg); font-size: 8px; margin: 0 5px;">GT-030-1"12-Rp2"</div> <div style="writing-mode: vertical-rl; transform: rotate(180deg); font-size: 8px; margin: 0 5px;">GT-040-2"-Rp2"/TC</div> <div style="writing-mode: vertical-rl; transform: rotate(180deg); font-size: 8px; margin: 0 5px;">GT-032-2"-Rp2"</div> <div style="writing-mode: vertical-rl; transform: rotate(180deg); font-size: 8px; margin: 0 5px;">GT-033-65-DN85</div> <div style="writing-mode: vertical-rl; transform: rotate(180deg); font-size: 8px; margin: 0 5px;">GT-033-80-DN80</div> </div>																		 31	
			1	2	3	4	5	6	7	8	9	10	11	12	13	14	15	16	17	18	From	to
1000 BURNER BODY																						
1005 AIR BOX 318X414X167+FLAP+GREY SPRING+COV	13011565		●	●																	09/16	
AIR BOX 318X414X167+METAL FLAP+COVER	65326951		●	●																10/16		
1010 AIR BOX INSULATION	13009641		●	●																		
1011 GASKET/CASING AIR109X6X7 PROFILED	13009640		●	●																		
1012 AIR BOX COVER	13009642		●	●																	09/16	
AIR BOX COVER	65326223		●	●																10/16		
1026 AIR RECTIFIER 148/162 4BL.	13009748		●	●																		
1050 AIR FLAP WITH FITTINGS	13014117		●	●																	09/16	
METAL AIR FLAP WITH FITTINGS	65326952		●	●																10/16		
1051 AIR SPRING (GREY)	13011751		●	●																	09/16	
1055 COUPLING AIR FLAP/SQN-SQM EQ.L277	13011835		●	●																	09/16	
METAL AIR FLAP COUPLING/SQM L288	65326954		●	●																10/16		
1070 FAN WHEEL D240X114 d24	13009736		●																			
FAN WHEEL D250X114 d24	13009737		●	●																		
1080 GROMMET	13014004		●	●																		
1100 COVER C70...210	13015646		●	●																		
1101 PRINTED FRONT PLATE C120	13016416		●																			
PRINTED FRONT PLATE C160	13016417		●																			
PRINTED FRONT PLATE C210	13016418		●	●																		
1105 GASKET/COVER-LEAK 10X3	13009772		●	●																		
1109 HOOD COVER	13009659		●	●																		
1110 SHUTTER/HOOD (LFL.)/RESET	13009658		●	●																		
1111 HOOD MOUNTING SCREW	13009657		●	●																		
1150 CAPACITOR 12µF	13015715	ACC	●	●																		
CAPACITOR 22µF 2P 3MM	65326967	SIMEL	●	●																		
1160 MOTOR 2.2KW230/400V D24+PLUG	13009739		●																			
MOTOR 2.5KW230/400V D24+PLUG	13009740		●	●																		
1165 MOTOR 0.45KW 230V D12.7 GMP	13009807		●	●																		
1170 MOTOR/PUMP COUPLING H-B	13009806		●	●																		
1175 FUEL OIL PUMP AJ6 CC 1004	13009802		●	●																		
1180 PUMP FILTER AJ6	13014194		●	●																		
1181 GASKET/COVER-PUMP SUN AJ	13014193		●	●																		
1200 FUEL HOSE L 1.5M	13009815		●	●																		
1201 CONNECTOR/HOSE G1/4/M16X1,5	13014419		●	●																		
1202 CONNECTOR/HOSE G1/8/M14X1,5	13014676		●	●																		
1205 HOSE M14X1.5X2 L1300	13009809		●	●																		
1240 PRESSURE TAP	13009738		●	●																		
1260 AIR PRESS. SWITCH LGW 3 A2 0.4-3MB DIN	13010111		●	●																		
1280 INSPECTION GLASS	13010008		●	●																		
1290 GASKET/HOUSING-HEAD D218X8/5X10	13010055		●	●																		
1300 FLAME MONITORING COVER W/FITTINGS	13014118		●	●																		

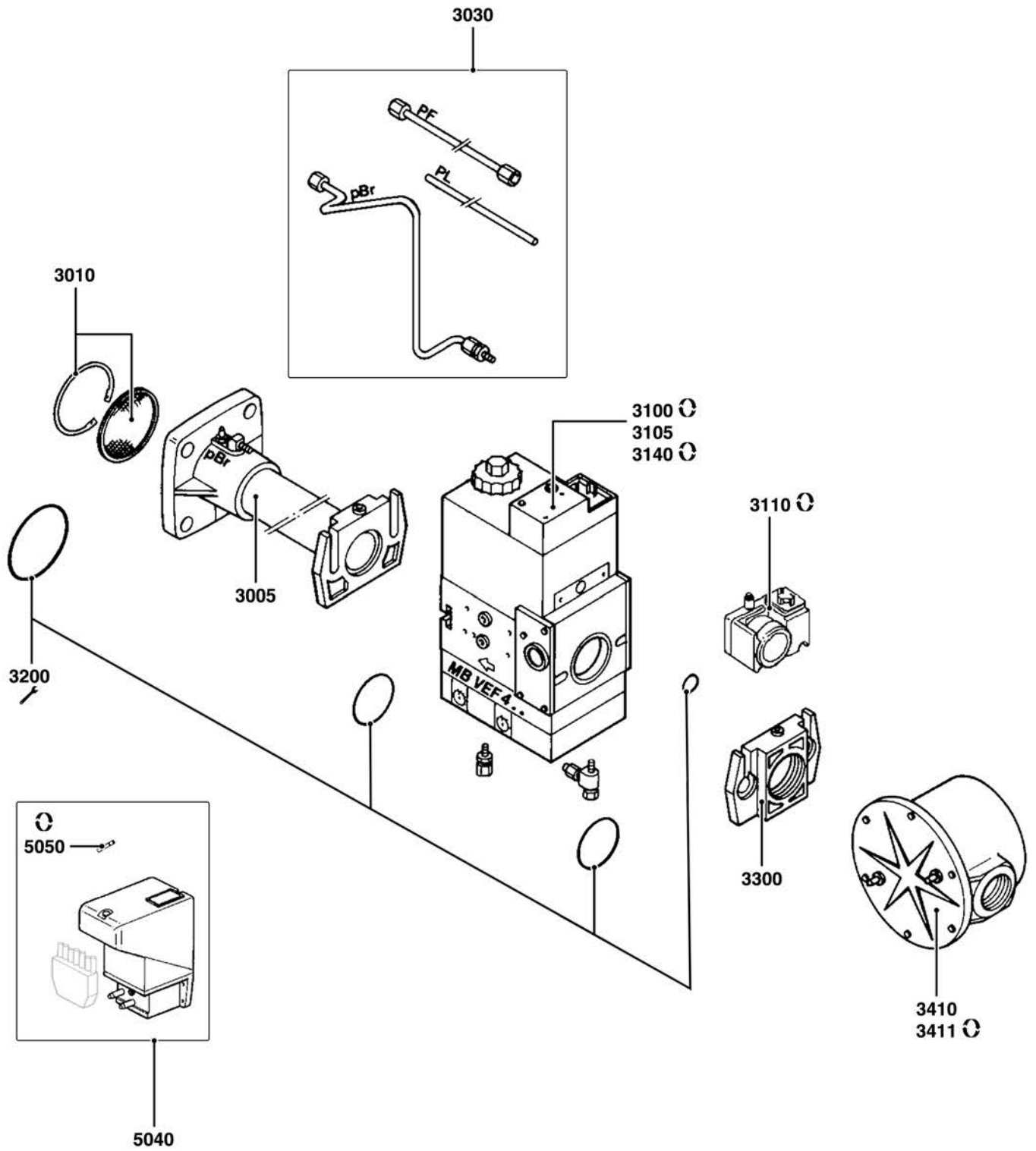
1500



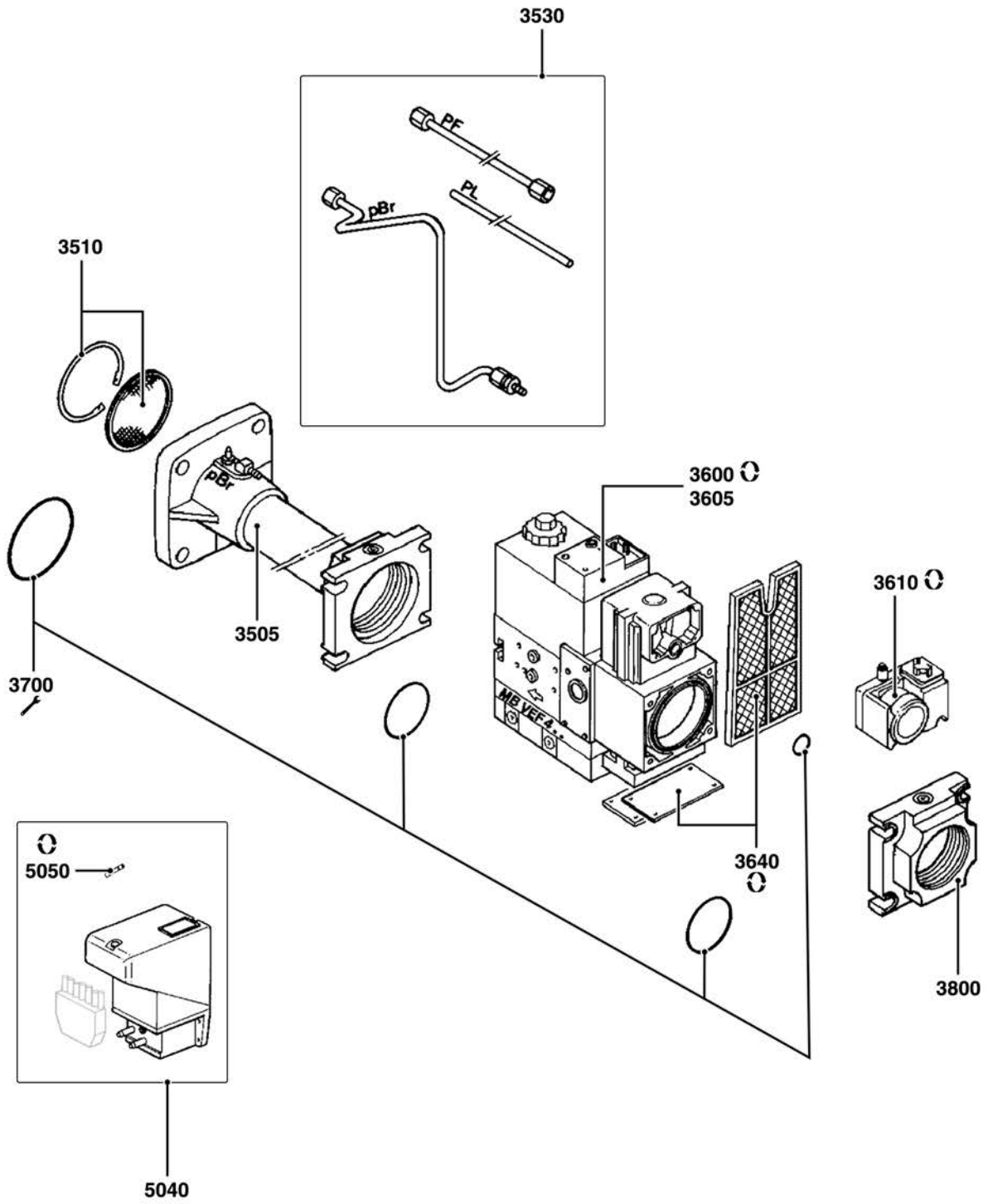
	Description	Manf. Pt. N	Type	<table border="1"> <tr> <td>BB-C120/160-B517/8/TC</td> <td>BB-C210-B517/8/TC</td> <td>CH-D731-T1/KN</td> <td>CH-D731-T2/KL</td> <td>CH-D731-T3/KM</td> <td>CH-D732-T1/KN</td> <td>CH-D732-T2/KL</td> <td>GT-031-1"1/4 - Rp2"</td> <td>GT-032-1"1/2 - Rp2"</td> <td>GT-030-1"1/2 - Rp2"</td> <td>GT-040-2" - Rp2" /TC</td> <td>GT-s31-2 - 2 - Rp2"</td> <td>GT-s32-65 - DN85</td> <td>GT-s33-80 - DN80</td> <td rowspan="2">31</td> <td rowspan="2">From</td> <td rowspan="2">to</td> </tr> <tr> <td>1</td><td>2</td><td>3</td><td>4</td><td>5</td><td>6</td><td>7</td><td>8</td><td>9</td><td>10</td><td>11</td><td>12</td><td>13</td><td>14</td><td>15</td><td>16</td><td>17</td><td>18</td> </tr> </table>																		BB-C120/160-B517/8/TC	BB-C210-B517/8/TC	CH-D731-T1/KN	CH-D731-T2/KL	CH-D731-T3/KM	CH-D732-T1/KN	CH-D732-T2/KL	GT-031-1"1/4 - Rp2"	GT-032-1"1/2 - Rp2"	GT-030-1"1/2 - Rp2"	GT-040-2" - Rp2" /TC	GT-s31-2 - 2 - Rp2"	GT-s32-65 - DN85	GT-s33-80 - DN80	31	From	to	1	2	3	4	5	6	7	8	9	10	11	12	13	14	15	16	17	18
				BB-C120/160-B517/8/TC	BB-C210-B517/8/TC	CH-D731-T1/KN	CH-D731-T2/KL	CH-D731-T3/KM	CH-D732-T1/KN	CH-D732-T2/KL	GT-031-1"1/4 - Rp2"	GT-032-1"1/2 - Rp2"	GT-030-1"1/2 - Rp2"	GT-040-2" - Rp2" /TC	GT-s31-2 - 2 - Rp2"	GT-s32-65 - DN85	GT-s33-80 - DN80	31	From	to																																				
1	2	3	4	5	6	7	8	9	10	11	12	13	14	15	16	17	18																																							
1500 ELECTRIC PART				1	2	3	4	5	6	7	8	9	10	11	12	13	14	15	16	17	18	From	to																																	
1501	CONTROL UNIT LFL 1.333	13011763		•	•																																																			
1504	CABLE IGNIT.TRANSFO+PLUG 2P 2X0,75 L420	13009773		•	•																																																			
1505	CABLE OILVALVE+P.DIN/WI.5P L1500VS+1+2+3	13014716		•	•																																																			
1507	CABLE+PLUG 4P/3X0,75 L620	13009669		•	•																																																			
1511	CABLE SOL.VALVE+PLUGWIE. 5P 5X0,75 L1250	13014120		•	•																																																			
1512	CABLE AIR P.SWITCH+PLUGDIN/3X0,75 L1200	13009799		•	•																																																			
1515	MEASURING BRIDGE [µA DC]	13009676		•	•																																																			
1516	AGM410490550 (LFL BASE)	13009176		•	•																																																			
1517	CABLE GAS P.SWITCH+P.DIN/4X0,75L2000(X3)	13011839		•	•																																																			
1518	CABLE GAS VALVE+P.DIN/3X0,75L2000(X4)	13009666		•	•																																																			
1520	CELL QRA 2 FLANGE+COLLAR	13012980		•	•																																																			
1521	BLOCK JUNCTION M6/8,4	13014121		•	•																																																			
1540	WIELAND PLUG 7P.	13009670		•	•																																																			
1541	WIELAND PLUG 4P.MALE GREEN	13009667		•	•																																																			
1542	HOOD/WIELAND PLUG 4P.ST18/4	13009668		•	•																																																			
1543	HOOD/WIELAND PLUG 7P	13009671		•	•																																																			
1545	CABLE+PLUG 7P/7X0,75 L620	13009672		•	•																																																			
1550	CONTACTOR	13009778		•	•																																																			
1560	THERMAL RELAY LR2K 5.5-8.0A	13009746		•	•																																																			
1570	CONTACTOR NF31E-13	65301252		•	•																																																			
1575	CONTACTOR AF09-30-10-13	65301251		•	•																																																			
1580	TIMER TEF4-ON (0.1/100S)	65301253		•	•																																																			
1600	IGNITION TRANSFORMER EBI 2X7.5 230V	13009663		•	•																																																			
1605	IGNITION CABLE BERU D6,35/D4 L750X2 BODY	13009743		•	•																																																			
1606	ROUND CONNECTOR CABLE ALU.ION X2	13010068		•	•																																																			
1610	SHUTTER/CONSOLE	13009661		•	•																																																			
1615	LOAD CONTR. SUPPORT	13009662		•	•																																																			
1625	RUBBER CAP/IGNITION CABLE	13009625		•	•																																																			
1630	CONTROL CONSOLE PRINTED	13014119		•	•																																																			
1635	TRANSLUCENT SHUTTER/CONSOLE	13009790		•	•																																																			
1640	FUSE HOLDER + FUSE 6.3A	13016457		•	•																																																			
1645	FUSE 5X20 T6,3A 250V	3333550051		•	•																																																			
1650	LUM. PUSH BUTTON (GREEN) ON/OFF	13014010		•	•																																																			
1651	DOUBLE SWITCH 2 POS.	13009801		•	•																																																			
1652	DOUBLE SWITCH 2 POS.	13009801		•	•																																																			
1653	DOUBLE SWITCH 2 POS.	13009801		•	•																																																			
1670	CABLE MOTOR+PLUG 3P 90° 3X0,75 L1700	13016481		•	•																																																			
1680	CABLE MOTOR+PLUG WIE. 4P 4X1,5 L560	65301000		•	•																																																			
1700	ACTUATOR SQM 50.481 A2	13014677		•	•																																																			
1710	WHU RELAY	13009080		•	•																																																			
1720	RELAY FIN 4RT 55.34.8.230.0040	64211221		•	•																																																			
1725	FINDER RELAY BASE 55.34	13009796		•	•																																																			
1730	RELAY + CLIP	13017721		•	•																																																			
1735	FINDER RELAY SUPPORT 95.05	13017720		•	•																																																			
1740	TIMER	13010452		•	•																																																			
1821	GREEN INDICATOR LIGHT	13011764		•	•																																																			



☉⇒	Description	Manf. Pt. N	Type	<div style="display: flex; justify-content: space-between; align-items: center;"> <div style="writing-mode: vertical-rl; transform: rotate(180deg); font-size: 8px; margin-right: 5px;"> BB-C120/160-B51/78-TC BB-C210-B51/78-TC CH-DT31-T1/KN CH-DT31-T2/KL CH-DT31-T3/KM CH-DT32-T1/KN CH-DT32-T2/KL CH-DT32-T3/KM GT-031-1"1/4-R92" GT-032-1"1/2-R92" GT-030-1"1/2-R92" GT-031-2-R92" GT-032-2-R92" GT-033-65-DN85 GT-033-80-DN80 </div> <div style="border: 1px solid black; padding: 2px; font-size: 10px; font-weight: bold;">31</div> </div>																		From	to
				1	2	3	4	5	6	7	8	9	10	11	12	13	14	15	16	17	18		
2000	COMBUSTION HEAD																						
2020	BAFFLE PLATE D155/50 8SL R 7DRIL.	13009712							●	●	●												
	BAFFLE PLATE D168/50 8SL 6DRIL.	13018284				●	●	●															
2040	ELECTROD.BLOC.27X55 d6,4 D2X23 45°+SCREW	13009726				●	●	●	●	●	●												
2041	ELECTRODE SUPPORT	13010050				●	●	●	●	●	●												
2046	WASHER HEAD SCREW M4/ELECTRODES BLOCK	13010049				●	●	●	●	●	●												
2047	FLANGE 20X11X2,6 FIX. ELECTRODE	13009725				●	●	●	●	●	●												
2070	IGNITION CABLE D6,35/D6,35 L950 X2 HEAD	13009727				●	●	●	●	●	●												
2071	ROUND CONNECTOR CABLE ALU.ION X2	13010056				●	●	●	●	●	●												
2100	COMBUSTION COMPONENTS T1/KN	13018945				●			●														
	COMBUSTION COMPONENTS T2/KL	13018946					●			●													
	COMBUSTION COMPONENTS T3/KM	13018947						●			●												
2101	NOZZLE LINE/SUPPORT L526	13014682				●			●														
	NOZZLE LINE/SUPPORT L626	13014684						●			●												
	NOZZLE LINE/SUPPORT L726	13014683					●				●												
2102	O-RING D6X2	13009812				●	●	●	●	●	●												
2120	GAS ELBOW + TUBE T1/KN	13009732				●			●														
	GAS ELBOW + TUBE T2/KL	13009733					●			●													
	GAS ELBOW + TUBE T3/KM	13009734						●			●												
2125	O-RING D75X4	13009731				●	●	●	●	●	●												
2140	FLAME TUBE D227/160/205L343TURBU.D171	13009716							●														
	FLAME TUBE D227/160/205L443TURBU.D171	13009718									●												
	FLAME TUBE D227/160/205L543TURBU.D171	13009717									●												
	FLAME TUBE D227/172/190L343TURBU.D171	13009713				●																	
	FLAME TUBE D227/172/190L443TURBU.D171	13009715						●															
	FLAME TUBE D227/172/190L543TURBU.D171	13009714					●																
2145	PRESSURE TAP R1/8	13009722				●	●	●	●	●	●												
2146	STRAIGHT UNION	13009721				●	●	●	●	●	●												
2147	CLOSURE PLATE.RTC EQ. H-G	13009816				●	●	●	●	●	●												
2148	NOZZLE LINE COVER H-B	13009817				●	●	●	●	●	●												
2150	GASKET/BURNER FLANGE 335X326X3 D250	13009719				●	●	●	●	●	●												
2170	BURNER TUBE SCREW FIX. KIT (X3)	13009723				●	●	●	●	●	●												
2500	OIL DISTRIBUTOR 3 STAGES	13009811				●	●	●	●	●	●												
2510	LUC ELECTRO VALVE 121F63 2/2NF9W	13009813				●	●	●	●	●	●												
2520	COIL PAR 32MM 115V 14W	65300750	110V						●														
	LUCIFER COIL 9W	13009814				●	●	●	●	●	●												
2600	SPINDLE/HINGE BODY-HEAD D12X210+D12X83	13009724				●	●	●	●	●	●												
2710	NATURAL GAS ACCESS. KIT	13010048				●	●	●	●	●	●												
2711	PROPANE ACCESS. KIT	13007041				●	●	●	●	●	●												
2712	SHUTTER/NOZZLE	13010046				●	●	●	●	●	●												
2714	NOZZLES	13009729				●	●	●	●	●	●												
2717	NOZZLE SUP. ELECTRODE	13014073				●	●	●	●	●	●												
2718	IGNITION NOZZLE	13014075				●	●	●	●	●	●												
2785	STAR GAS HEAD	13018948				●	●	●	●	●	●												

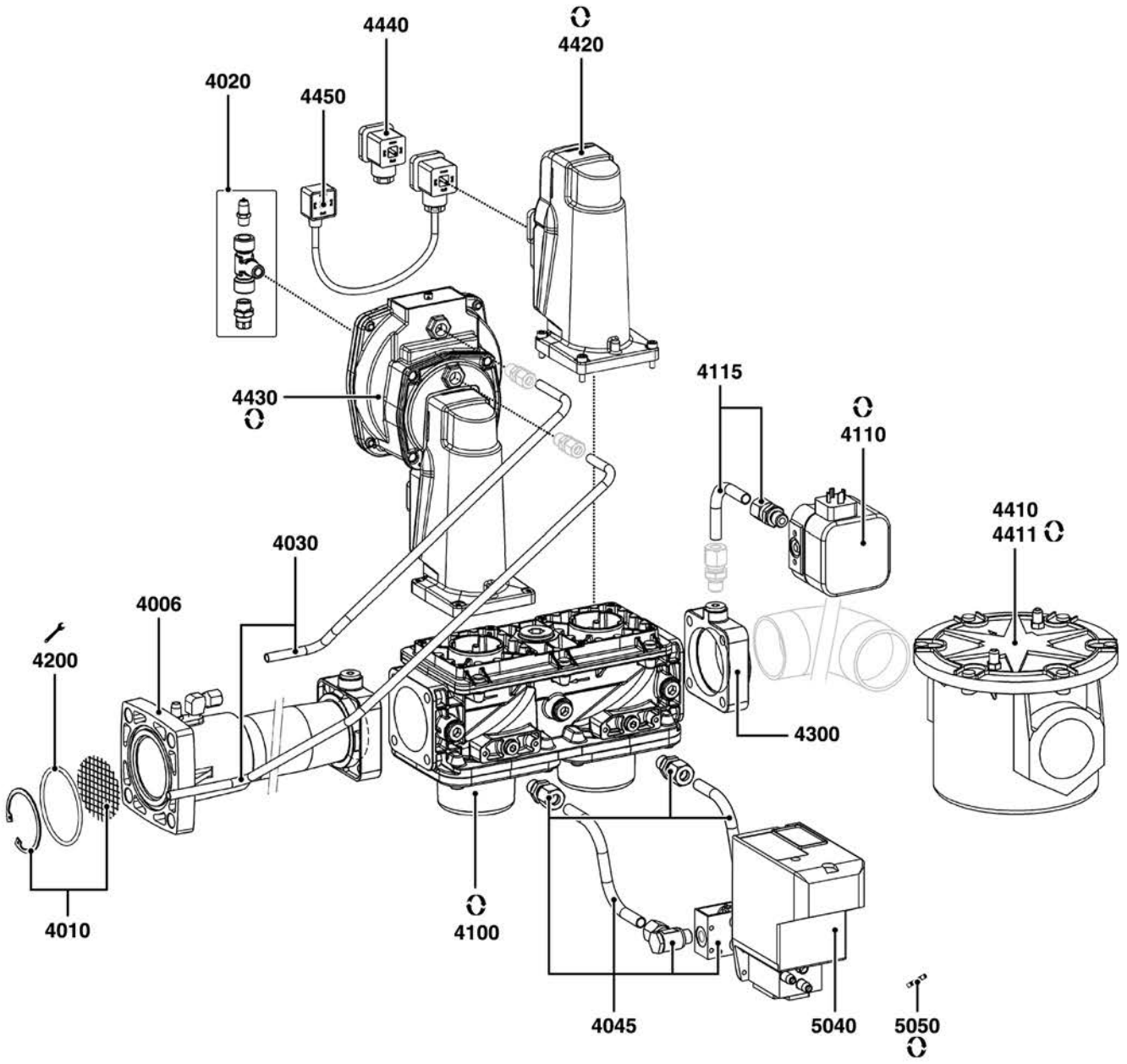


☺⇒	Description	Manf. Pt. N	Type	BB-C120/160-B517/8/TC BB-C210-B517/8/TC CH-DT31-T1/KN CH-DT31-T2/KL CH-DT31-T3/KM CH-DT32-T1/KN CH-DT32-T2/KL CH-DT32-T3/KM GT-031-1"1/4-Rp2" GT-032-1"1/2-Rp2" GT-030-1"1/2-Rp2" GT-031-2"-Rp2" GT-032-2"-Rp2" GT-033-65-DN85 GT-033-80-DN80																		From	to
				1	2	3	4	5	6	7	8	9	10	11	12	13	14	15	16	17	18		
3000	GAS TRAIN																						
3005	COLLECTOR MOUNT RP 1"1/4	13014122																					
3010	STABILISER + CIRCLIP D.60	13011367																					
3030	TUBES P AIR+COMBUSTION/R+L	13014125																					
3100	GAS VALVE MBVEF412 B01 S30 PL=0.3-PF=1.2	13011720																					
3105	DUN COIL No. 1205 MBVEF412	13010084																					
3110	GAS PRESS.SWITCH GW 150 A5 30-150MB DIN	13010078																					
3140	FILTERING ELEMENT /MB...410/412	13016012																					
3200	GASKET KIT MBVEF 407/412	13011366																					
3300	FLANGE MB410/412 RP1 1/4	13010085																					
3410	EXTERNAL GAS FILTER RP2	13009700																					
3411	FILT. ELEMENT RP2 + GASKET	13010044																					
5040	GAS TIGHTNESS CONTROLLER DUNGS VPS504	13001778																					
5050	FUSE 5X20 T6,3A 250V	3333550051																					



☉⇒	Description	Manf. Pt. N	Type	BB-C120/160-B517/8/TC BB-C210-B517/8/TC CH-D731-T1/KN CH-D731-T2/KL CH-D731-T3/KM CH-D732-T1/KN CH-D732-T2/KL GT-031-1"1/4-Rp2" GT-032-1"1/2-Rp2" GT-030-1"1/2-Rp2" GT-031-2"-Rp2"/TC GT-032-2"-Rp2" GT-033-65-DN85 GT-033-80-DN80																		From	to
				1	2	3	4	5	6	7	8	9	10	11	12	13	14	15	16	17	18		
3500	GAS TRAIN																						
3505	COLLECTOR MOUNT RP 2	13014123											•										
	COLLECTOR MOUNT RP 2	13014128									•	•											
3510	STABILISER + CIRCLIP D.60	13011367									•	•	•										
3530	TUBES P AIR+COMBUSTION/R+L	13014126											•										
	TUBES P AIR+COMBUSTION/R+L	13014129									•	•											
3600	GAS VALVE MBVEF420 B01 S10 RP2"+FP	13011725									•	•											
	GAS VALVE MBVEF425 B01 S10 RP2" GW150	13021114											•										
3605	COIL DUN No. 1415 MBVEF425 S30	13020727											•										
	DUN COIL No. 1215 MBVEF420	13011726									•	•											
3610	GAS PRESS.SWITCH GW 150 A5 30-150MB DIN	13010078									•	•	•										
3640	FILTERING ELEMENT /MB...420	13007901									•	•											
	SCREEN DUNGS/MB VEF 425	13014127											•										
3700	GASKET SET MB...420	65300671									•	•	•										
3800	FLANGE MB420 RP2 + PRES.PLUG	13007859									•	•											
	FLANGE MB425 RP2	13014124											•										
5040	GAS TIGHTNESS CONTROLLER DUNGS VPS504	13001778									•	•	•										
5050	FUSE 5X20 T6,3A 250V	3333550051									•	•	•										

Dual-Fuel burner CB-C120-160-210-B5-TC



☉⇒	Description	Manf. Pt. N	Type	<div style="text-align: right; border: 1px solid black; padding: 2px;"> 31 </div>																	
				1	2	3	4	5	6	7	8	9	10	11	12	13	14	15	16	17	18
4000	GAS TRAIN																				
4006	COLLECTOR MOUNT RP2	13013783																			
4010	STABILISER + CIRCLIP D.60	13011367																			
4020	PRESSURE TAP	13014880																			
4030	TUBES P AIR+COMBUSTION/R+L SKP..5 RP2"	13021113																			
4045	OP-KIT TUBE VPS FOR VGD20 50	13015138																			
4100	GAS VALVE VGD20 5011 RP2"	65311581																			
4110	GAS PRESS. SWITCH GW 50 A4 2.5-50MB DIN	13011736																			
4115	STEEL BEND TUBE	13014883																			
4200	GASKET KIT VGG,VGF10/VGD20 RP2	13011733																			
4300	FLANGE AGA51 RP2	65300871																			
4410	EXTERNAL GAS FILTER RP2	13009700																			
4411	FILT. ELEMENT RP2 + GASKET	13010044																			
4420	GAS SERVOM. SKP15.000E2 W/O LIMIT SW.	13020951																			
4430	GAS SERVOM. SKP75.003E2 W/O LIMIT SW.	13020950																			
4440	BRIDGE CONNECTOR AGA68	13022511																			
4450	CABLE CONNECT AGA 62 PLUG DIN L270	13020958																			
5040	GAS TIGHTNESS CONTROLLER DUNGS VPS504	13001778																			
5050	FUSE 5X20 T6,3A 250V	3333550051																			

CB-C120-160-210-B5-TC

Dual-Fuel burner

☉⇒	Description	Manf. Pt. N	Type	<div style="display: flex; justify-content: space-between; font-size: 8px; transform: rotate(-45deg);"> BB-C120/160-B5/178/TC BB-C210-B5/178/TC CH-DT31-T1/KN CH-DT31-T2/KL CH-DT31-T3/KM CH-DT32-T1/KN CH-DT32-T2/KL CH-DT32-T3/KM GT-031-1"14-Rp2" GT-030-1"12-Rp2" GT-031-2"Rp2" GT-032-2"Rp2" GT-033-65-DN65 GT-033-80-DN80 </div>																		From	to
				1	2	3	4	5	6	7	8	9	10	11	12	13	14	15	16	17	18		
4500	GAS TRAIN																						
4506	COLLECTOR DN65	13013784														•							
	COLLECTOR DN80	13013785															•						
4510	STABILISER + CIRCLIP D.60	13011367														•	•						
4520	PRESSURE TAP	13014880														•	•						
4530	TUBES P AIR+COMBUSTION/R+L SKP..5 DN65	13021112														•							
	TUBES P AIR+COMBUSTION/VGD40 080 DN80	65300647															•						
4600	GAS VALVE VGD40 065 DN65	65323661														•							
	GAS VALVE VGD40 080 DN80	65311583															•						
4610	GAS PRESS. SWITCH GW 50 A4 2.5-50MB DIN	13011736														•	•						
4615	STEEL BEND TUBE	13014883														•	•						
4700	GASKET KIT VGD40 DN65	13013781														•							
	GASKET KIT VGD40 DN80	13013782															•						
4910	EXTERNAL GAS FILTER DN65	13009703														•							
	GAS FILTER DN80	13013787															•						
4911	GAS FILTERING ELEMENT DN65 WITH GASKET	13009704														•							
	GAS FILTERING ELEMENT DN80 WITH GASKET	13013788															•						
4920	GAS SERVOM. SKP15.000E2 W/O LIMIT SW.	13020951														•	•						
4930	GAS SERVOM. SKP75.003E2 W/O LIMIT SW.	13020950														•	•						
4940	BRIDGE CONNECTOR AGA68	13022511														•	•						
4950	CABLE CONNECT AGA 62 PLUG DIN L270	13020958														•	•						
5040	GAS TIGHTNESS CONTROLLER DUNGS VPS504	13001778														•	•						
5050	FUSE 5X20 T6,3A 250V	3333550051														•	•						

CB-C120-160-210-B5-TC



Dual-Fuel burner

ADRESSES

www.bosch.com



VARIANTI E PREZZI RIVENDITORI

- 
Modello: CB-C120-160-210-B5-TC / CB-C120-160-210-B5-TC
 Prezzo di listino: € 110,00 / € 110,00
- 
Modello: CB-C120-160-210-B5-TC / CB-C120-160-210-B5-TC
 Prezzo di listino: € 110,00 / € 110,00
- Modello: CB-C120-160-210-B5-TC / CB-C120-160-210-B5-TC
 Prezzo di listino: € 110,00 / € 110,00
- Modello: CB-C120-160-210-B5-TC / CB-C120-160-210-B5-TC
 Prezzo di listino: € 110,00 / € 110,00

IDENTIFICAZIONE

77000000000000000000

