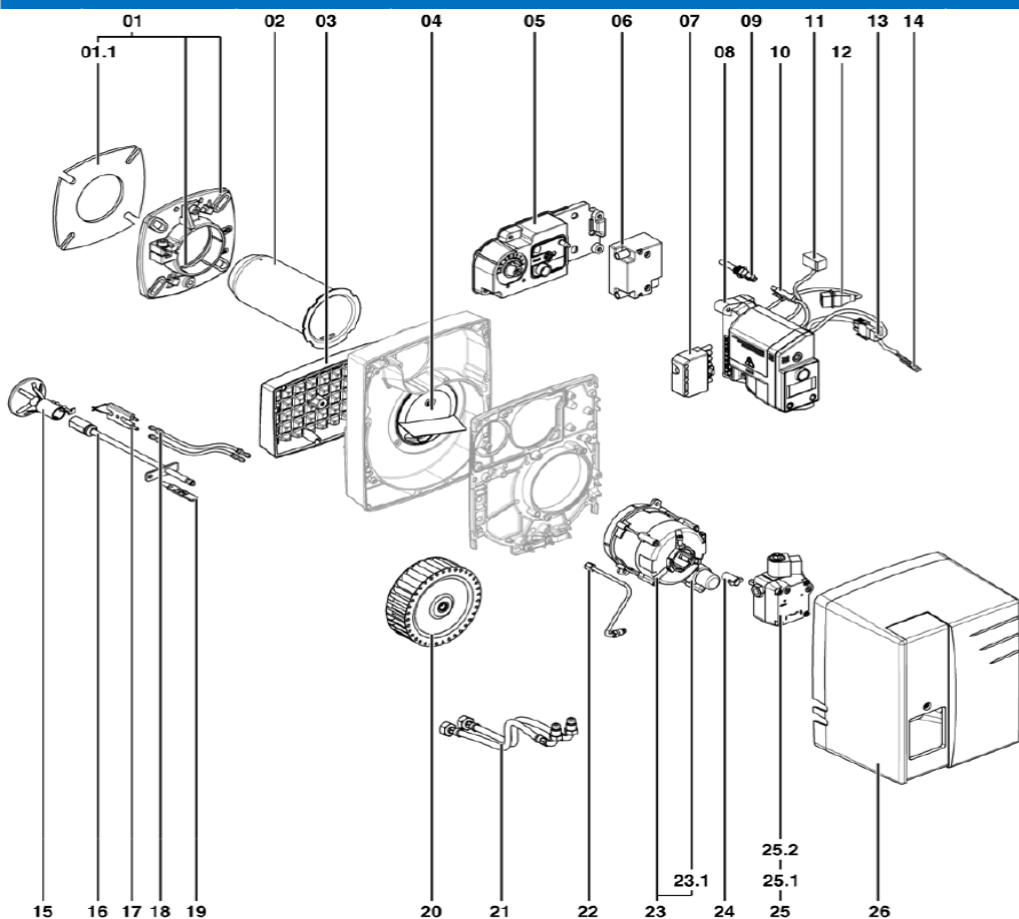


# Brûleurs NC4/6/9 H1A et VL1.40/42/55/95



Pos.	CUENOD	elco	Désignation	Référence
01	NC4/6	VL1.40/42/55	ACCESSOIRES CHAUD. D80	13022754
	NC9	VL1.95	ACCESSOIRES CHAUD. EK01.D 90	13018849
01.1	NC4/6	VL1.40/42/55	JOINT BRIDE D80 156x156 - FIBRE MINERALE	13010501
	NC9	VL1.95	JOINT BRIDE D90 156x150 - FIBRE MINERALE	13010502
02	NC4/6	VL1.40/42/55	EMBOUT D.63/80X177	13011116
	NC9	VL1.95	EMBOUT D.75,5X90X192	13010978
03	NC4/6/9	VL1.40/42/55	BOITE A AIR COMPOSITE VECTRON 1	65300231
04	NC4	VL1.95	RECYCLAGE D'AIR	13010511
04	NC6	VL1.55	RECYCLAGE D'AIR	13010512
	NC9	VL1.95	RECYCLAGE D'AIR	13010513
05	NC4/6/9	VL1.40/42/55/95	BOITIER DE COMMANDE FIOUL ASS.	13010472
06	NC4/6/9	VL1.40/42/55/95	ALLUMEUR	13009663
07	NC4/6/9	VL1.40/42/55/95	FICHE WIELAND 7P.MALE	13010523
08	NC4/6/9	VL1.40/42/55/95	BCU TCH 141.03	65300269
09	NC4/6/9	VL1.40/42/55/95	CELLULE MZ 770 S	13009774
10	NC4/6/9	VL1.40/42/55/95	CABLE CELLULE MZ770S	13011093
11	NC4/6/9	VL1.40/42/55/95	CABLE BCU / TRANSFORMATEUR FUEL	65300335
12	NC4/6/9	VL1.40/42/55/95	CABLE +CONNECTEUR / VANNE 1. ALL.	13012675
13	NC4/6/9	VL1.40/42/55/95	CABLE + PRISE / MOTEUR	13010519
14	NC4/6/9	VL1.40/42/55/95	CABLE RECHAUFFEUR	13011126
15	NC4	VL1.40/42	ANNEAU DE FLAMME D.63/16-4F. DRO.	13011150
	NC6	VL1.55	ANNEAU DE FL. DI.63 CONIQUE	13011118
	NC9	VL1.95	ANNEAU DE FL. D.75/20 6F.GAUCHE	13011040
16	NC4/6	VL1.40/42/55	LIGNE GICLEUR LG.252	13011120
	NC4/6	VL1.40/42/55	LIGNE GICLEUR RECHAUF. DANFOSS	13011125
	NC9	VL1.95	LIGNE GICLEUR LG.272	13011041
17	NC4/6/9	VL1.40/42/55/95	ELECTRODE ALLU. (BLOC MARRON)	13011119
18	NC4/6/9	VL1.40/42/55/95	SET CABLE D'ALLUMAGE	13011123
19	NC4/6/9	VL1.40/42/55/95	REGLETTE GRADUEE	13010100
20	NC4/6	VL1.40/42/55	TURBINE D133X42	13010101
	NC9	VL1.95	TURBINE D.133X62	13010517
21	NC4/6/9	VL1.40/42/55/95	FLEXIBLE MAZOUT EK01B 3/5/7 LT(2PCS)	13004801
22	NC4/6/9	VL1.40/42/55/95	TUBE LIGNE GICLEUR	13011124
23	NC4/6/9	VL1.40/42/55/95	MOTEUR 110W	13010980
23.1	NC4/6/9	VL1.40/42/55/95	CONDENSATEUR 4uF	13011117
24	NC4/6/9	VL1.40/42/55/95	ACCOUPLMENT POMPE / MOTEUR	65074172
25	NC4/6/9	VL1.40/42/55/95	POMPE SUNTEC AS 47-D-1696	13010118
	NC4/6/9	VL1.40/42/55/95	POMPE BFP 21 L3 R2	65300856
25.1	NC4/6/9	VL1.40/42/55/95	BOBINE	13010006
	NC4/6/9	VL1.40/42/55/95	BOBINE NC (1. ALLURE)	13012581
25.2	NC4/6/9	VL1.40/42/55/95	FILTERSET F. PUMPS SUNTEC + DANFOSS	65300834
26	NC4/6/9	VL1.40/42/55/95	CAPOT NC4, NC6, NC9A EQU.	65300029