

SPARE PARTS EXPLODED VIEW OIL BURNER

Model

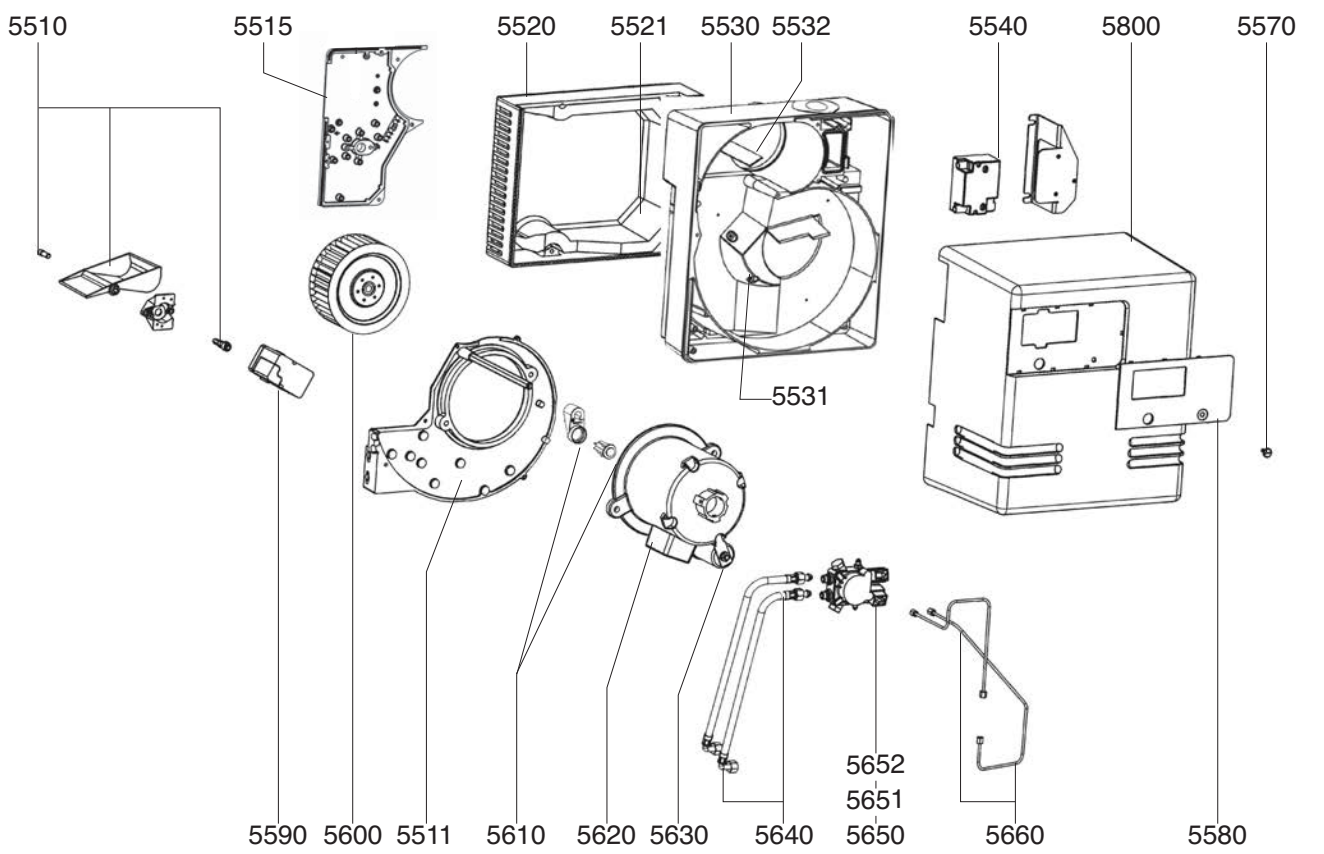
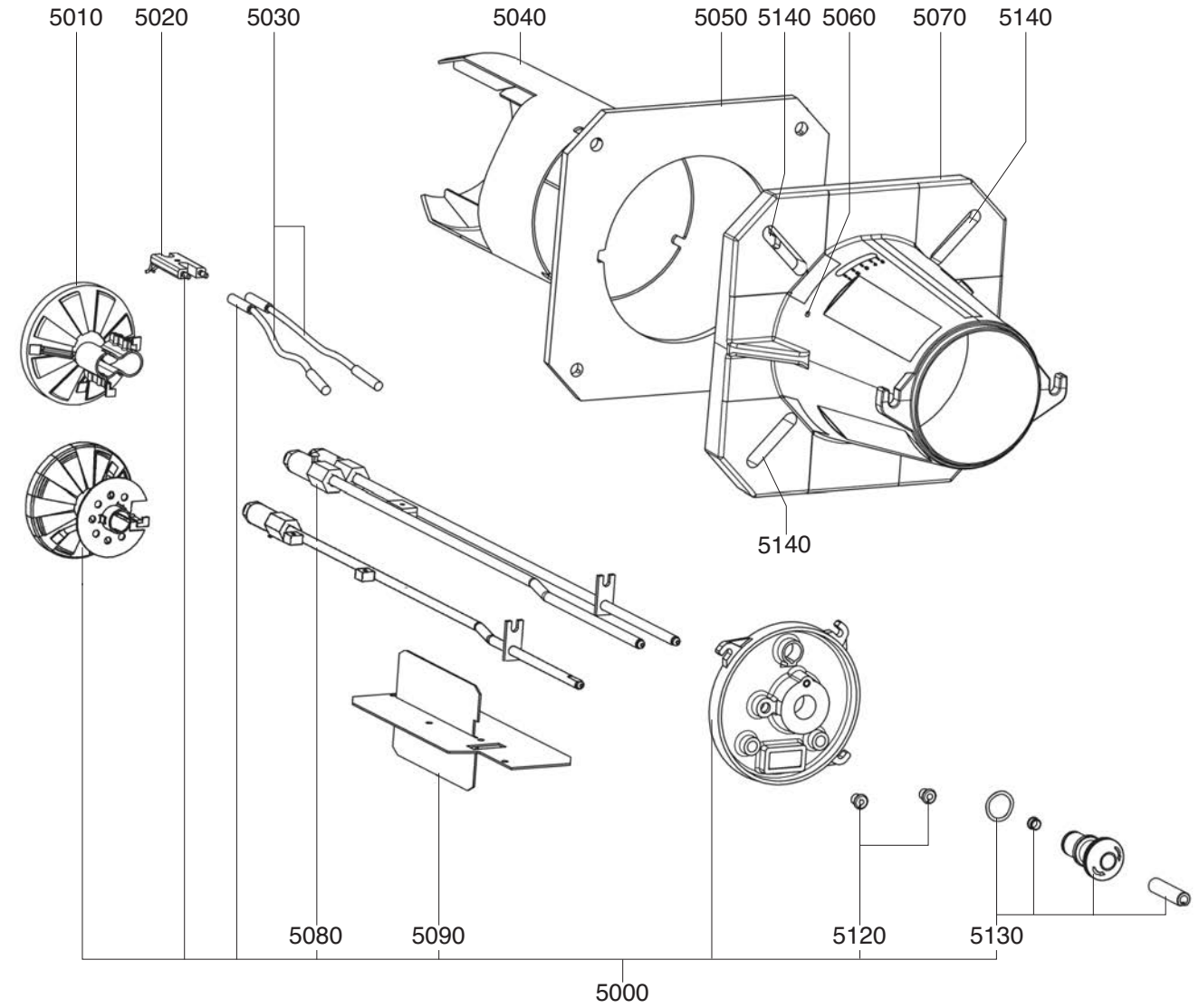
C43, C54 H201

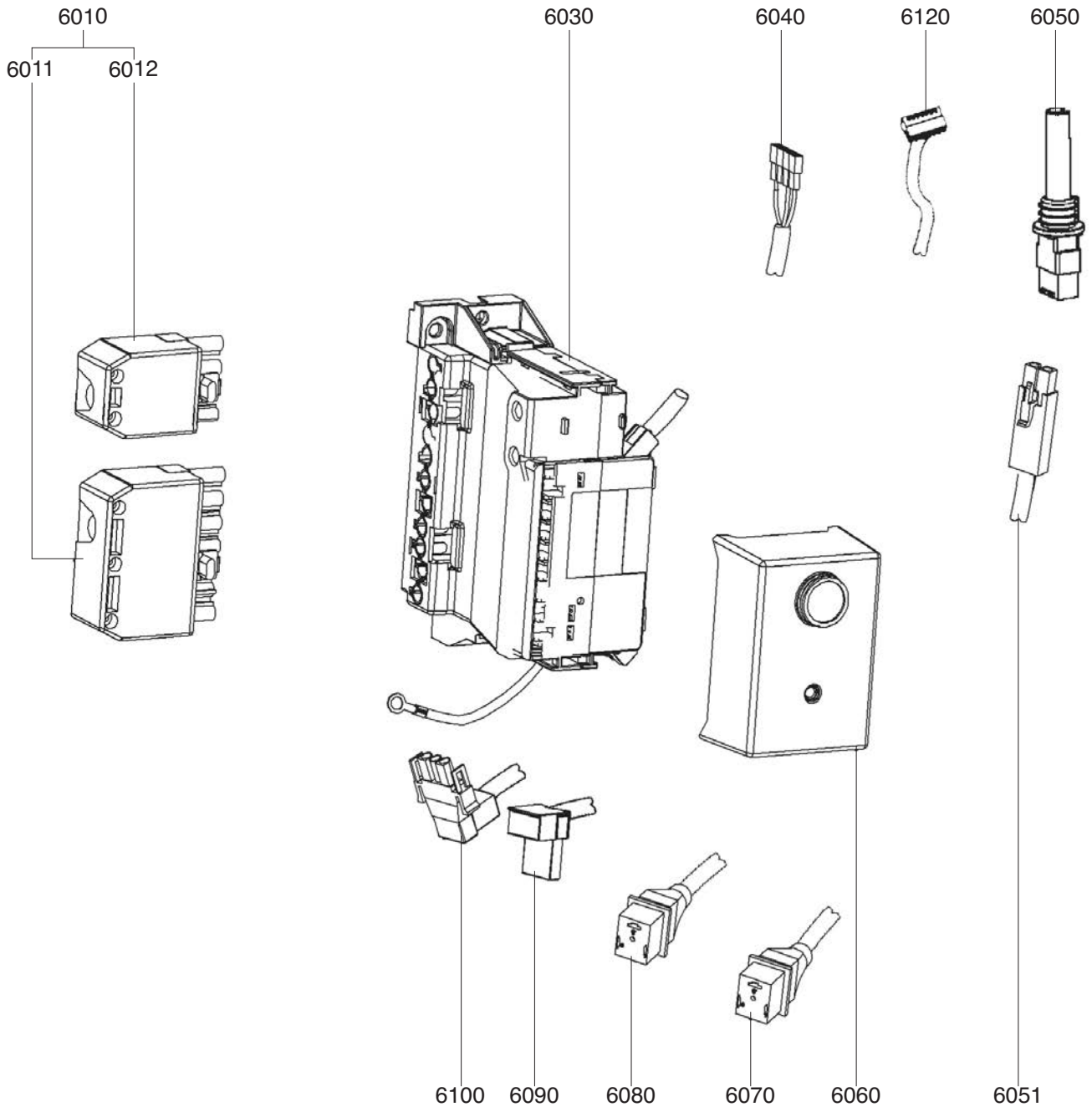
R8220225-01 - 21/12/2017

C43, C54 H201

Oil burner

1	13008848	BB-C43 H201	04-2002	12-2010
2	13008849	BB-C54 H201	01-2001	12-2010
3	13008850	CH-O521 - T1/KN	05-2002	12-2010
4	13008851	CH-O521 - T2/KL	05-2002	12-2010
5	13005900	CH-O522 - T1/KN	05-2002	12-2010
6	13005901	CH-O522 - T2/KL	06-2001	12-2010
Col	Reference	Model type	Begin	End





BR-C43 H201
 BR-C54 H201
 CH-O521-T1/MN
 CH-O521-T2/KL
 CH-O522-T1/MN
 CH-O522-T2/KL

31

Description	Manf. Pt. N	Type																				
			1	2	3	4	5	6	7	8	9	10	11	12	13	14	15	16	17	18	From	to
6000 ELECTRIC PART																						
6010 WIELAND PLUG 4P+7P SILK-SCREEN PRINTED	13010018		●	●																		
6011 WIELAND PLUG 7P SILK-SCREEN PRINTED	13010523		●	●																		
6012 WIELAND PLUG 4P SILK-SCREEN PRINTED	13011095		●	●																		
6030 ELECTRIC CONNECTION BOX OIL	13011050		●	●																		
6040 CABLE RESET+PLUG FASTON/RAST4P L350	13011088		●	●																		
6050 PHOTOCCELL MZ 770 S	13009774		●	●																		
6051 CABLE CELL MZ+PLUG2P/RAST2P L200	13011093		●	●																		
6060 CONTROL UNIT SH 213 C1	13011049		●	●																		
6070 CABLE SOL.VALVE+PLUG 3P/RAST3P L420V2	65300530		●	●																		
6080 CABLE SOL.VALVE+PLUG 3P/RAST3P L420V1	13011090		●	●																		
6090 CABLE IGNIT.TRANSFO+PLUG 3P/RAST 2P L420	13011094		●	●																		
6100 CABLE MOTOR+PLUG 3P/RAST3P L388	13011089		●	●																		
6120 CABLE ACTUATOR+PLUG9P/RAST5P+RAST4P L225	13011092		●	●																		

Oil burner
C43, C54 H201

