

SPARE PARTS EXPLODED VIEW OIL BURNER

Model

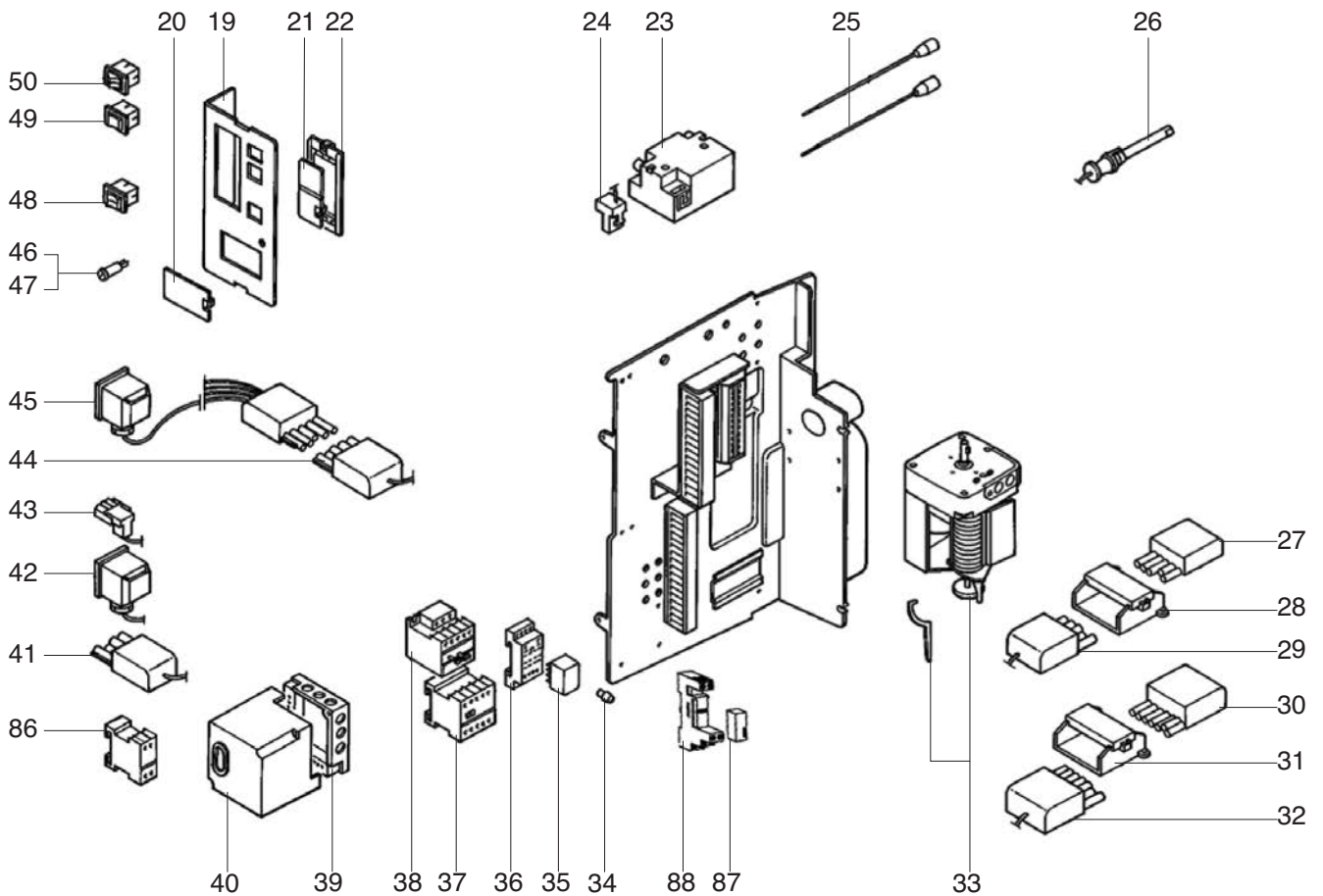
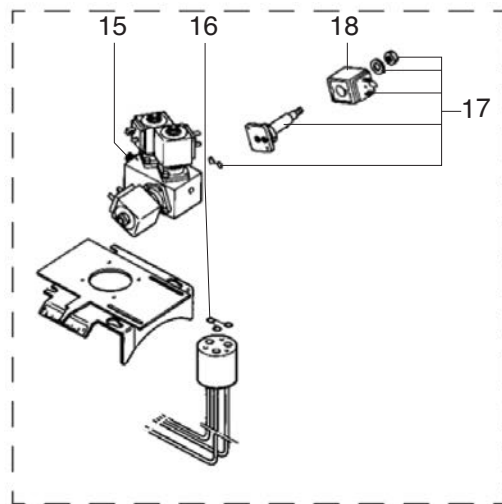
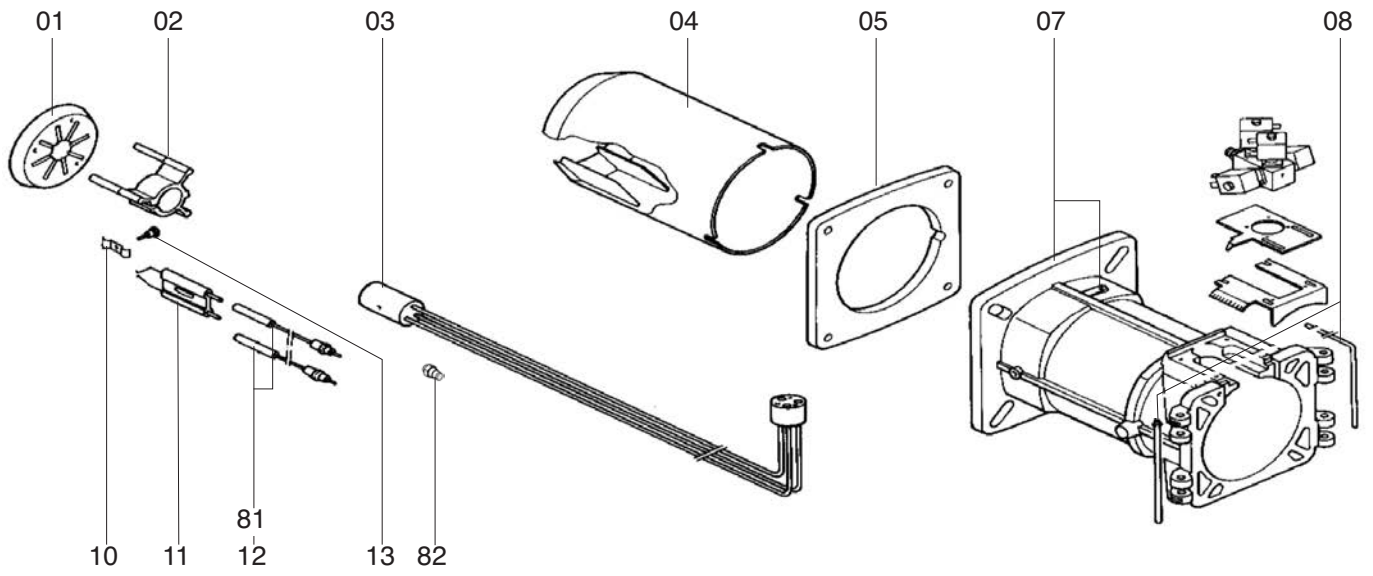
C210 H301

R8220178-01 - 27/04/2016

C210 H301

Oil burner

| 1 | 13004553 | BB-C210 H301 | 09-2000 | 09-2012 |
|-----|-----------|-----------------|---------|---------|
| 2 | 13004593 | CH-O731 - T1/KN | 09-2000 | 10-2012 |
| 3 | 13004594 | CH-O731 - T2/KL | 09-2000 | 06-2013 |
| 4 | 13004595 | CH-O731 - T3/KM | 09-2000 | 10-2012 |
| Col | Reference | Model type | Begin | End |

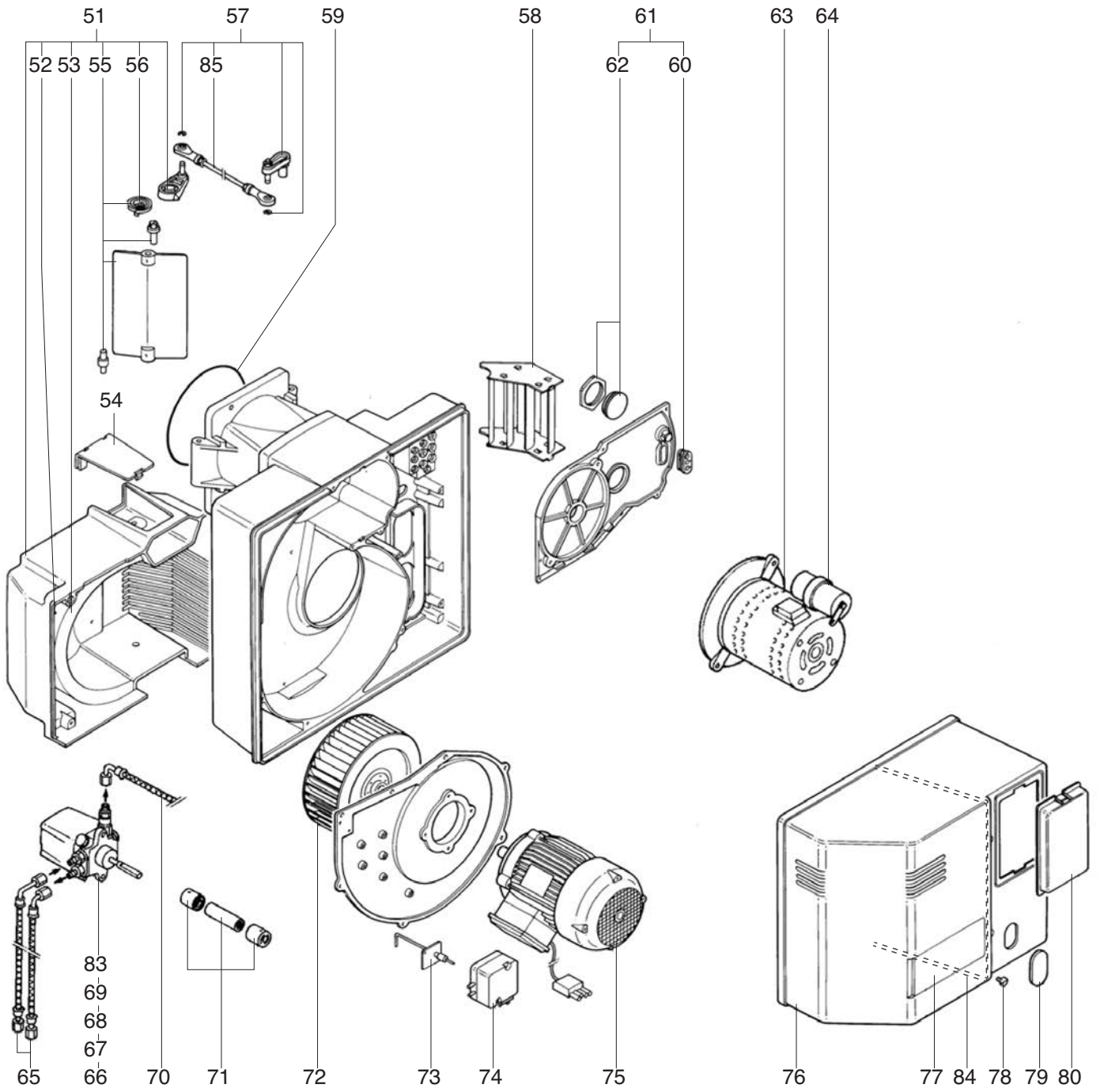


BB-C210 H301
 CH-OT31 - T1/KN
 CH-OT31 - T2/KL
 CH-OT31 - T3/KM

31

| Description | Manf. Pt. N | Type | | | | | | | | | | | | | | | | | | | From | to |
|-------------|--|----------|---|---|---|---|---|---|---|---|---|----|----|----|----|----|----|----|----|----|------|----|
| | | | 1 | 2 | 3 | 4 | 5 | 6 | 7 | 8 | 9 | 10 | 11 | 12 | 13 | 14 | 15 | 16 | 17 | 18 | | |
| 0001 | BAFFLE PLATE D155/50 8SL R 3DRIL. | 13009752 | | | • | • | • | | | | | | | | | | | | | | | |
| 0002 | BAFFLE PLATE HOLDER | 13009753 | | | • | • | • | | | | | | | | | | | | | | | |
| 0003 | NOZZLE LINE 3 TUBES L526 T1/KN | 13009757 | | | • | | | | | | | | | | | | | | | | | |
| | NOZZLE LINE 3 TUBES L626 T3/KM | 13009759 | | | | | | • | | | | | | | | | | | | | | |
| | NOZZLE LINE 3 TUBES L726 T2/KL | 13009758 | | | | | | • | | | | | | | | | | | | | | |
| 0004 | FLAME TUBE D227/160/190 L343 | 13009763 | | | • | | | | | | | | | | | | | | | | | |
| | FLAME TUBE D227/160/190 L443 | 13009765 | | | | | | | • | | | | | | | | | | | | | |
| | FLAME TUBE D227/160/190 L543 | 13009764 | | | | | | | • | | | | | | | | | | | | | |
| 0005 | GASKET/BURNER FLANGE 335X326X3 D250 | 13009719 | | | • | • | • | | | | | | | | | | | | | | | |
| 0007 | BURNER TUBE SCREW FIX. KIT (X3) | 13009723 | | | • | • | • | | | | | | | | | | | | | | | |
| 0008 | SPINDLE/HINGE BODY-HEAD D12X210+D12X83 | 13009724 | | | • | • | • | | | | | | | | | | | | | | | |
| 0010 | FLANGE 20X11X2,6 FIX. ELECTRODE | 13009725 | | | • | • | • | | | | | | | | | | | | | | | |
| 0011 | ELECTROD.BLOC.27X55 d6,4 D2X23 45°+SCREW | 13009726 | | | • | • | • | | | | | | | | | | | | | | | |
| 0012 | IGNITION CABLE D6,35/D6,35 L950 X2 HEAD | 13009727 | | | • | • | • | | | | | | | | | | | | | | | |
| 0013 | WASHER HEAD SCREW M4/ELECTRODES BLOCK | 13010049 | | | • | • | • | | | | | | | | | | | | | | | |
| 0015 | OIL DISTRIBUTOR 3 STAGES | 13009811 | | | • | • | • | | | | | | | | | | | | | | | |
| 0016 | O-RING D6X2 | 13009812 | | | • | • | • | | | | | | | | | | | | | | | |
| 0017 | LUC ELECTRO VALVE 121F63 2/2NF9W | 13009813 | | | • | • | • | | | | | | | | | | | | | | | |
| 0018 | LUCIFER COIL 9W | 13009814 | | | • | • | • | | | | | | | | | | | | | | | |
| 0019 | CENTRAL CONTROL PANEL | 13011508 | | • | | | | | | | | | | | | | | | | | | |
| 0020 | TRANSLUCENT SHUTTER/CONSOLE | 13009790 | | • | | | | | | | | | | | | | | | | | | |
| 0021 | SHUTTER/CONSOLE | 13009661 | | • | | | | | | | | | | | | | | | | | | |
| 0022 | LOAD CONTR. SUPPORT | 13009662 | | • | | | | | | | | | | | | | | | | | | |
| 0023 | IGNITION TRANSFORMER EBI 2X7.5 230V | 13009663 | | • | | | | | | | | | | | | | | | | | | |
| 0024 | CABLE IGNIT.TRANSFO+PLUG 2P 2X0,75 L420 | 13009773 | | • | | | | | | | | | | | | | | | | | | |
| 0025 | IGNITION CABLE BERU D6,35/D4 L750X2 BODY | 13009743 | | • | | | | | | | | | | | | | | | | | | |
| 0026 | PHOTOCELL QRB 1A A148B70B L1500 | 13009219 | | • | | | | | | | | | | | | | | | | | | |
| 0027 | WIELAND CONNECTOR 4P.MALE | 13009667 | | • | | | | | | | | | | | | | | | | | | |
| 0028 | HOOD/WIELAND PLUG 4P.ST18/4 | 13009668 | | • | | | | | | | | | | | | | | | | | | |
| 0029 | CABLE REGUL.+PLUGWIE. 4P 4X0,75 L620 | 13011515 | | • | | | | | | | | | | | | | | | | | | |
| 0030 | WIELAND PLUG 7P. | 13010523 | | • | | | | | | | | | | | | | | | | | | |
| 0031 | HOOD/WIELAND PLUG 7P | 13009671 | | • | | | | | | | | | | | | | | | | | | |
| 0032 | CABLE+PLUG 7P/7X0,75 L620 | 13009672 | | • | | | | | | | | | | | | | | | | | | |
| 0033 | SERVOMOTOR SQM 50.481 A2 | 13014677 | | • | | | | | | | | | | | | | | | | | | |
| 0034 | RUBBER CAP/IGNITION CABLE | 13009625 | | • | | | | | | | | | | | | | | | | | | |
| 0035 | FINDER RELAY 4RT 55.34.8230 | 13009795 | | • | | | | | | | | | | | | | | | | | | |
| 0036 | FINDER RELAY BASE 55.34 | 13009796 | | • | | | | | | | | | | | | | | | | | | |
| 0037 | THERMAL RELAY LR2K 5.5-8.0A | 13009746 | | • | | | | | | | | | | | | | | | | | | |
| 0038 | CONTACTOR | 13009778 | | • | | | | | | | | | | | | | | | | | | |
| 0039 | PLUG-IN BASE LAL AGM4104.9050.0 | 65320097 | | • | | | | | | | | | | | | | | | | | | |
| 0040 | CONTROL UNIT LAL 2.25 | 13009187 | | • | | | | | | | | | | | | | | | | | | |
| 0041 | CABLE+PLUG 4P./MOTOR VENTIL. | 13009681 | | • | | | | | | | | | | | | | | | | | | |
| 0042 | CABLE AIR P.SWITCH+PLUGDIN/3X0,75 L1200 | 13009799 | | • | | | | | | | | | | | | | | | | | | |
| 0043 | CABLE MOTOR GMP+PLUG 3P. L1700 | 13009800 | | • | | | | | | | | | | | | | | | | | | |
| 0044 | CABLE+PLUG 5P./SOLENOID VALVE | 13009785 | | • | | | | | | | | | | | | | | | | | | |
| 0045 | CABLE OILVALVE+P.DIN/WI.5P L1500VS+1+2+3 | 13014716 | | • | | | | | | | | | | | | | | | | | | |
| 0046 | PORTE-FUSE FPG EQUIPPED 6,3A | 13009685 | | • | | | | | | | | | | | | | | | | | | |
| 0047 | FUSE 5X20 6.3A | 13016028 | | • | | | | | | | | | | | | | | | | | | |
| 0048 | DOUBLE SWITCH 2 POS. | 13009801 | | • | | | | | | | | | | | | | | | | | | |
| 0049 | 3 POS SWITCH | 13009683 | | • | | | | | | | | | | | | | | | | | | |
| 0050 | SWITCH LIGHT 2 POSITION | 13009787 | | • | | | | | | | | | | | | | | | | | | |
| 0081 | ROUND CONNECTOR CABLE ALU.ION X2 | 13010056 | | | • | • | • | | | | | | | | | | | | | | | |
| 0082 | NOZZLE DAN 11,0GPH 60° B | 13016050 | | | • | • | • | | | | | | | | | | | | | | | |
| 0087 | RELAY + CLIP | 13017721 | | • | | | | | | | | | | | | | | | | | | |
| 0088 | FINDER RELAY SUPPORT 95.05 | 13017720 | | • | | | | | | | | | | | | | | | | | | |

Oil burner C210 H301



BB-C210 H301
 CH-OT31 - T1/KN
 CH-OT31 - T2/KL
 CH-OT31 - T3/KM

0-0
 31

| | Description | Manf. Pt. N | Type | | | | | | | | | | | | | | | | | | | | |
|------|--|-------------|------|---|---|---|---|---|---|---|---|---|----|----|----|----|----|----|----|----|----|------|----|
| | | | | 1 | 2 | 3 | 4 | 5 | 6 | 7 | 8 | 9 | 10 | 11 | 12 | 13 | 14 | 15 | 16 | 17 | 18 | From | to |
| 0051 | AIR DAMPER | 13009767 | | ● | | | | | | | | | | | | | | | | | | | |
| | TIMER | 13010452 | | ● | | | | | | | | | | | | | | | | | | | |
| 0052 | GASKET/CASING AIR109X6X7 PROFILE | 13009640 | | ● | | | | | | | | | | | | | | | | | | | |
| 0053 | AIR BOX INSULATION | 13009641 | | ● | | | | | | | | | | | | | | | | | | | |
| 0054 | AIR BOX COVER | 13009642 | | ● | | | | | | | | | | | | | | | | | | | |
| 0055 | AIR FLAP WITH FITTINGS | 13014117 | | ● | | | | | | | | | | | | | | | | | | | |
| 0056 | SPRING/AIR FLAP RED | 13011507 | | ● | | | | | | | | | | | | | | | | | | | |
| 0057 | CARDAN EQ./AIR FLAP | 13000970 | | ● | | | | | | | | | | | | | | | | | | | |
| 0058 | AIR RECTIFIER 148/162 4BL. | 13009748 | | ● | | | | | | | | | | | | | | | | | | | |
| 0059 | GASKET/HOUSING-HEAD D218X8/5X10 | 13010055 | | ● | | | | | | | | | | | | | | | | | | | |
| 0060 | CABLE GROMMET | 13009648 | | ● | | | | | | | | | | | | | | | | | | | |
| 0061 | FLAME MONITORING COVER W/FITTINGS | 13014118 | | ● | | | | | | | | | | | | | | | | | | | |
| 0062 | INSPECTION GLASS | 13010008 | | ● | | | | | | | | | | | | | | | | | | | |
| 0063 | MOTOR 0.45KW230V D12.7 GMP | 13009807 | | ● | | | | | | | | | | | | | | | | | | | |
| 0064 | CAPACITOR 12µF | 13015715 | | ● | | | | | | | | | | | | | | | | | | | |
| 0065 | FUEL HOSE L 1.5M | 13009815 | | ● | | | | | | | | | | | | | | | | | | | |
| 0066 | FUEL OIL PUMP AJ6 CC 1004 | 13009802 | | ● | | | | | | | | | | | | | | | | | | | |
| 0067 | PUMP FILTER AJ6 | 13014194 | | ● | | | | | | | | | | | | | | | | | | | |
| 0068 | GASKET/COVER-PUMP SUN AJ | 13014193 | | ● | | | | | | | | | | | | | | | | | | | |
| 0069 | CONNECTOR/HOSE G1/4/M16X1,5 | 13014419 | | ● | | | | | | | | | | | | | | | | | | | |
| 0070 | HOSE M14X1.5X2 L1300 | 13009809 | | ● | | | | | | | | | | | | | | | | | | | |
| 0071 | MOTOR/PUMP COUPLING H-B | 13009806 | | ● | | | | | | | | | | | | | | | | | | | |
| 0072 | FAN WHEEL D250X114 d24 | 13009737 | | ● | | | | | | | | | | | | | | | | | | | |
| 0073 | PRESSURE TAP | 13009738 | | ● | | | | | | | | | | | | | | | | | | | |
| 0074 | AIR PRESS. SWITCH LGW 3 A2 0.4-3MB DIN | 13010111 | | ● | | | | | | | | | | | | | | | | | | | |
| 0075 | MOTOR 2.5KW230/400V D24+PLUG | 13009740 | | ● | | | | | | | | | | | | | | | | | | | |
| 0076 | COVER C70...210 | 13015646 | | ● | | | | | | | | | | | | | | | | | | | |
| 0077 | FRONT PLATE | 13009656 | | ● | | | | | | | | | | | | | | | | | | | |
| 0078 | HOOD MOUNTING SCREW | 13009657 | | ● | | | | | | | | | | | | | | | | | | | |
| 0079 | SHUTTER/HOOD (LFL.)/RESET | 13009658 | | ● | | | | | | | | | | | | | | | | | | | |
| 0080 | HOOD COVER | 13009659 | | ● | | | | | | | | | | | | | | | | | | | |
| 0083 | CONNECTOR/HOSE G1/8/M14X1,5 | 13014676 | | ● | | | | | | | | | | | | | | | | | | | |
| 0084 | GASKET/COVER-LEAK 10X3 | 13009772 | | ● | | | | | | | | | | | | | | | | | | | |
| 0085 | CARDAN ROD | 13009769 | | ● | | | | | | | | | | | | | | | | | | | |

C210 H301

Oil burner

