

## SPARE PARTS EXPLODED VIEW OIL BURNER

Model

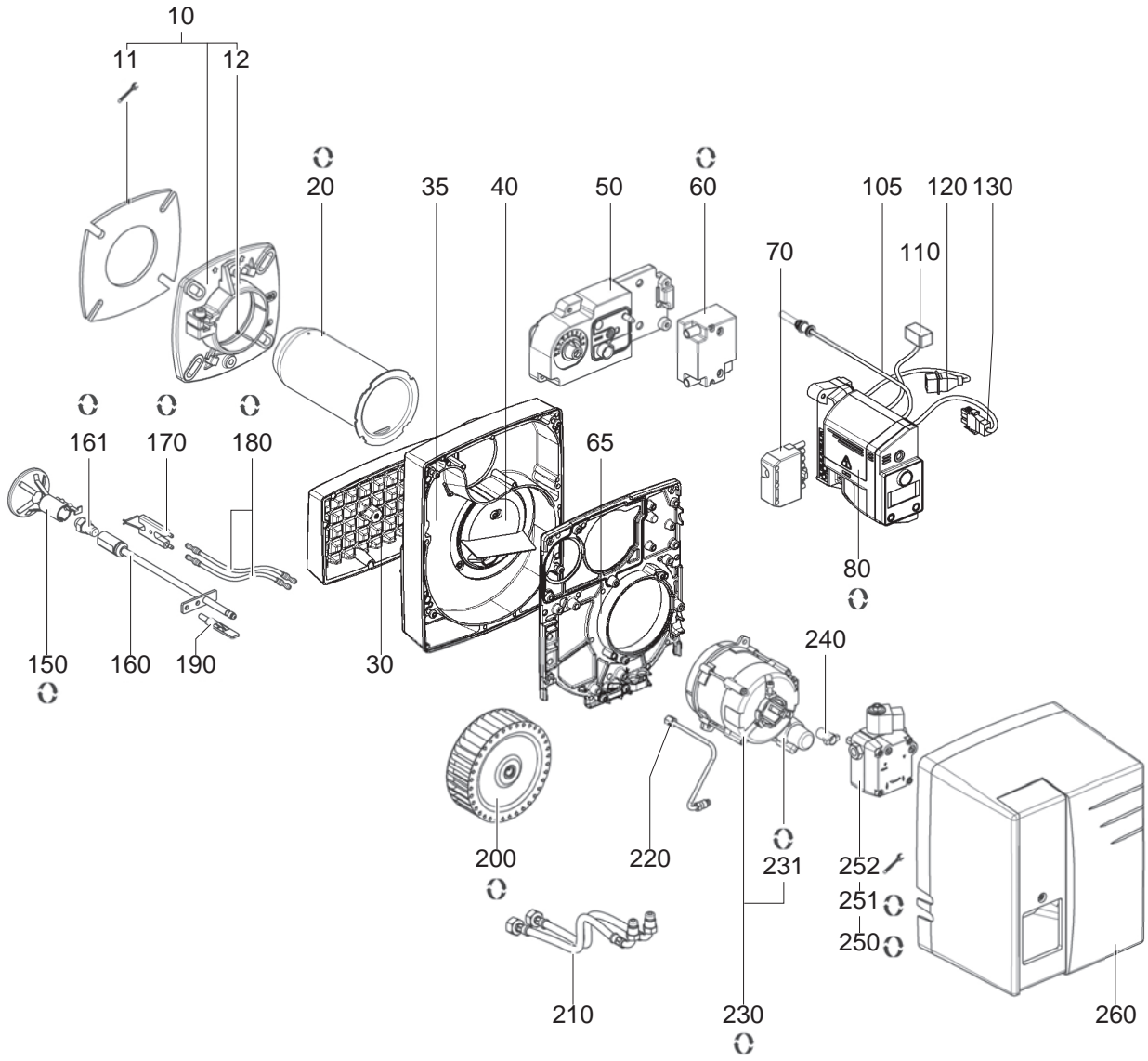
**CB-FC6, FC9 H101A**

R8220246-02 - 22/08/2019

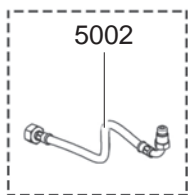
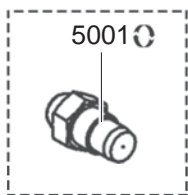
CB-FC6, FC9 H101A

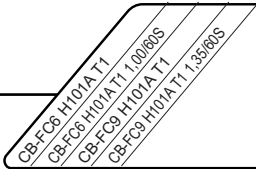

Oil burner

1	3832701	CB-FC6 H101A	12-2008	-
2	3836860	CB-FC6 H101A T1 1,00/60S	05-2019	-
3	3832702	CB-FC9 H101A T1	12-2008	-
4	3836861	CB-FC9 H101A T1 1,35/60S	04-2019	-
Col	Reference	Model type	Begin	End



5000



Description	Manf. Pt. N	Type																						
			1	2	3	4	5	6	7	8	9	10	11	12	13	14	15	16	17	18	From	to		
0010	BOILER ACCESSORY D80 ANGLE 2°EUROFLANGE	13021416	●	●																				
	BOILER ACCESSORY D90 ANGLE 2°EUROFLANGE	13021417			●	●																		
0011	GASKET/BURNER FLANGE 156X156X5 D80 A 2°	13015307	●	●																				
	GASKET/BURNER FLANGE 156X156X5 D90 A 2°	13015308			●	●																		
0012	GASKET/BRAID D80X5X5-267	13011148	●	●																				
	GASKET/BRAID D90X5X5-298	13011149			●	●																		
0020	FLAME TUBE D80/63 L177	13011116	●	●																				
	FLAME TUBE D90/75 L192	13010978			●	●																		
0030	AIR BOX (NOT PAINTED)	13018435	●	●																				
	AIR BOX 218X135X45	13018434			●	●																		
0035	HOUSING 227X224X45 D80 NC4-6H/VL1.40-55	65300460	●	●																				
	HOUSING 227X224X68D90 NC9-10H/VL1.95-105	65327970			●	●																		
0040	AIR RECYCLING D103/35 100X95 L39 108°	13010512	●	●																				
	AIR RECYCLING D103/45 SPO.100X97 L55 65°	13010513			●	●																		
0050	BOX ADJUST FLAP ASS.+PHOTOCELL TUBE/OIL	13010472	●	●	●	●																		
0060	IGNITION TRANSFO. EBI 2X7,5 230V	13009663	●	●	●	●																		
0065	MOTOR PLATE 275X222X23 D99+O-RING	13020416	●	●	●	●																		
0070	PLUG WIELAND 7P SCREENPRINTED	13010523	●	●	●	●																		
0080	CONTROL UNIT TCH 161.05 PRE V. 40S	65300304	●	●	●	●																		
0105	PHOTOCELL FTEB3 L255+RAST5	65328028	●	●	●	●																	09/19	
	PHOTOCELL QRB1A LG.220+RAST5	65326635	●	●	●	●																		08/19
0110	CABLE IGNIT.TRANSFO+PLUG 3P/RAST 3P L250	65300335	●	●	●	●																		
0120	CABLE SOL.VALVE+PLUG 3P/RAST3P L300V1	13012675	●	●	●	●																		
0130	CABLE MOTOR+PLUG 3P/RAST3P L300	13010519	●	●	●	●																		
0150	BAFFLE PLATE D63/20 6SL R	13011118	●	●																				
	BAFFLE PLATE D75/20 6SL L	13011040			●	●																		
0160	NOZZLE ROD D8 L252 M8	13011120	●	●																				
	NOZZLE ROD D8 L272 M8	13011041			●	●																		
0161	NOZZLE DAN 1,00GPH 45° S	13016070	●																					
	NOZZLE DAN 1,00GPH 60° S	13016088		●																				
	NOZZLE DAN 1,35GPH 60° S	13016085			●																			
	NOZZLE DAN 1,50GPH 45° S	13016068			●																			
0170	ELECTRODE BLOCK 25X48 d4 D1,5X19 52°	13011119	●	●	●	●																		
0180	IGNITION CABLE D4/D4 L270X2 + FUNNEL	13011123	●	●	●	●																		
0190	GRADUATED RULER 0 - 20 L70,5	13010100	●	●	●	●																		
0200	FAN WHEEL D133X42 D10	13010101	●	●																				
	FAN WHEEL D133X62 D10	13010517			●	●																		
0210	OIL HOSE DN6 L1,00M (x2)	13004801	●	●	●	●																		
0220	OIL FEED TUBE	13021624	●	●	●	●																		
0230	MOTOR 0,11KW 230V D10	65326746	●	●	●	●																		
0231	CAPACITOR 4μF 2P 3mm	13011117	ACC	●	●	●	●																	
	CAPACITOR 5μF 475V B P2 30X57	65326737	EBR	●	●	●	●																	
	CAPACITOR 6,3μF 2P 3mm	13010016	SIMEL	●	●	●	●																	
0240	COUPLING D18/14,7/11X22 PUMP/MOTOR	65074172	●	●	●	●																		
0250	OIL PUMP ASV 47 D 1696	13010118	ASV47	●	●	●	●																	
	OIL PUMP BFP 21 L3 R2	65300856	BFP	●	●	●	●																	
0251	COIL 220-230 V NC T85	65327118	BFP	●	●	●	●																	
	COIL SUN PUMP AS-AP-AL-AT-A2L	13010006	ASV47	●	●	●	●																	
0252	FILTER KIT H20-150μ/AS+ART.D16,3X43/BFP	65300834		●	●	●	●																	
0260	COVER GREY 229X292X181/NC4-6-10 A	65300029		●	●	●	●																	
<b>5000 ACCESSORIES</b>																								
5001	NOZZLE DAN 0,85GPH 45° S	13016062		●	●																			
	NOZZLE DAN 1,10GPH 45° S	13016065		●	●																			
	NOZZLE DAN 1,25GPH 45° S	13016066				●	●																	
	NOZZLE DAN 1,75GPH 45°S	13016069				●	●																	
5002	OIL HOSE L 1500 DN6,G3/8-G1/4A	12002251		●	●	●	●																	

