

SPARE PARTS EXPLODED VIEW
OIL BURNER
Model
CB-NC95-120-H2A (50/60HZ)

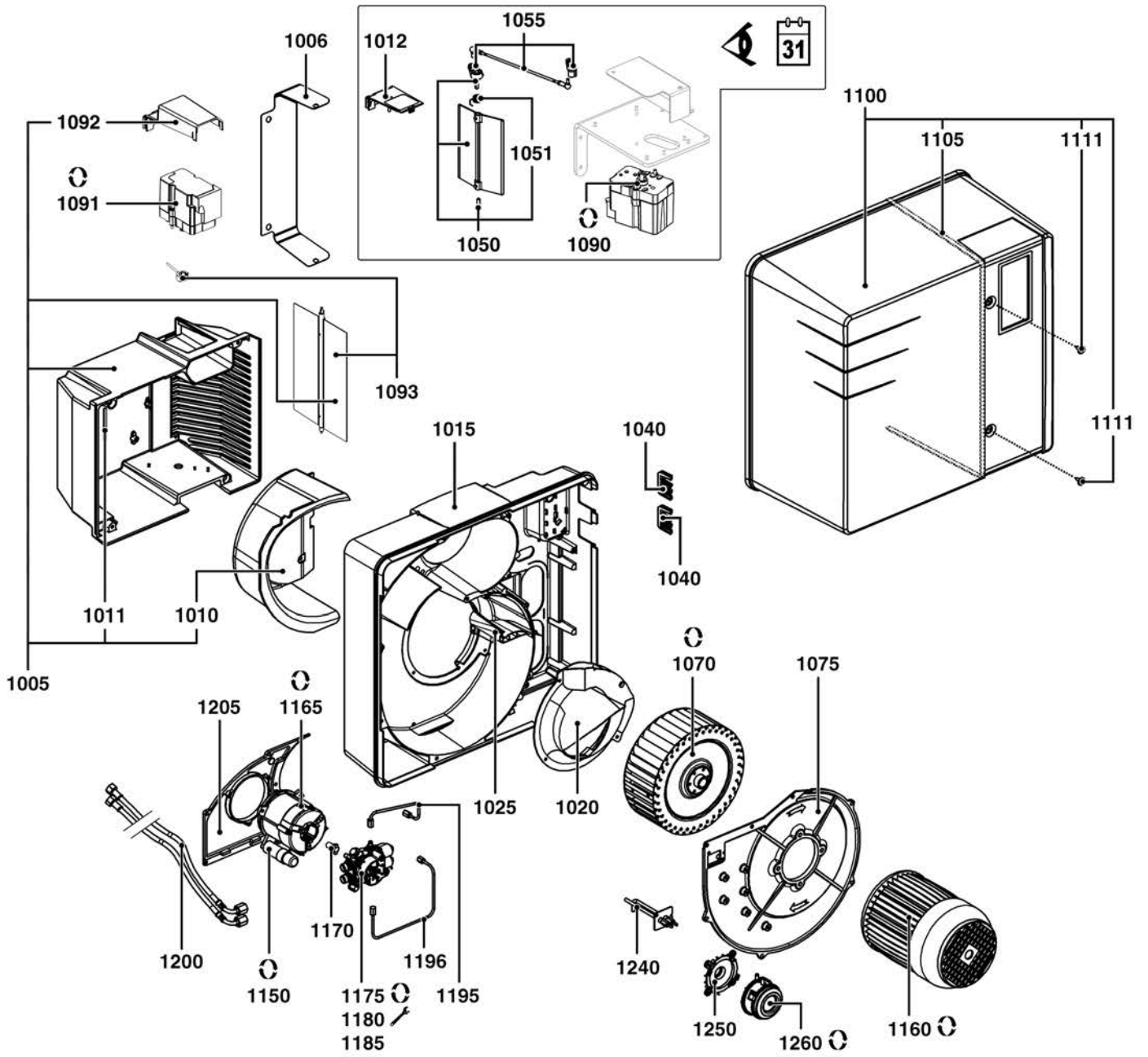
R8220114-03 - 14/11/2019

CB-NC95-120-H2A (50/60HZ)

Oil burner

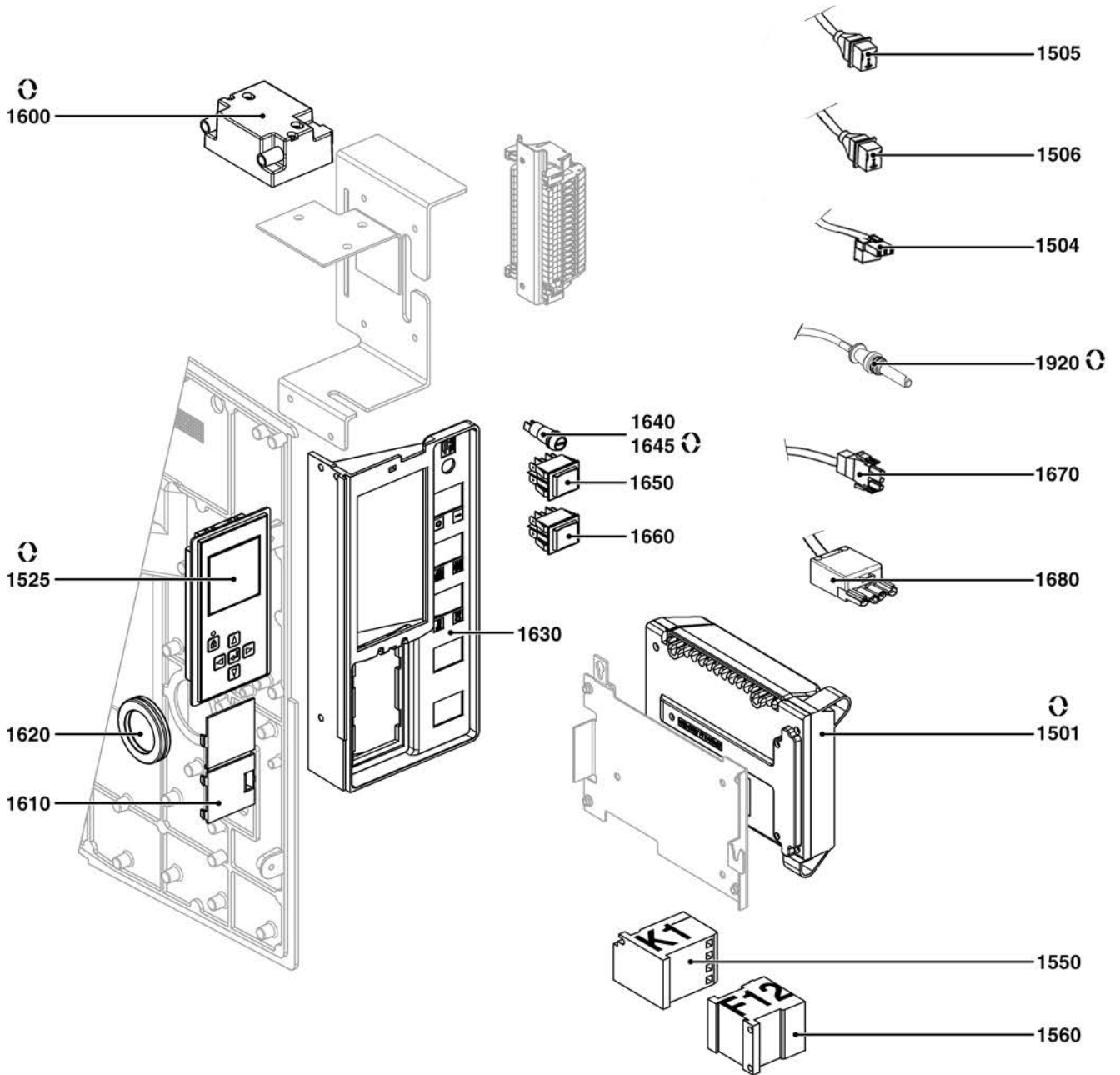
1	3833360	BB-NC95 H201A	12-2010	-
2	3836544	BB-NC95 H201A 60 HZ	05-2018	-
3	3833361	BB-NC120 H201A	12-2010	-
4	3836545	BB-NC120 H201A 60 HZ	05-2018	-
5	3833362	CH-O0621-T1/KN	12-2010	-
6	3833457	CH-O0621-T2/KL	12-2010	-
7	3833607	CH-O0621-T3/KM	09-2011	-
8	3833363	CH-O0622-T1/KN	12-2010	-
9	3833458	CH-O0622-T2/KL	12-2010	-
10	3833608	CH-O0622-T3/KM	01-2012	-

Col	Reference	Model type	Begin	End
-----	-----------	------------	-------	-----



☉⇒	Description	Manf. Pt. N	Type	<div style="display: flex; justify-content: space-between; font-size: 8px; border: 1px solid black; padding: 2px;"> BB-NC95-H201A BB-NC95-H201A BB-NC120-H201A 80 HZ BB-NC120-H201A CH-O082-T1/MN CH-O082-T2/MN CH-O082-T3/MN CH-O082-T1/KM CH-O082-T2/KM CH-O082-T3/KM </div>																		<div style="border: 1px solid black; padding: 2px; display: inline-block;"> 31 </div>	
				1	2	3	4	5	6	7	8	9	10	11	12	13	14	15	16	17	18	From	to
1000	BURNER BODY																						
1005	AIR BOX 318X414X167+METAL FLAP+COVER	65326951		•	•	•	•																
1006	AIR GUIDING PIECE	65326224			•		•																
	AIR GUIDING PIECE	65326224		•		•													06/15				
1010	AIR BOX INSULATION	13009641		•	•	•	•																
1011	GASKET/CASING AIR109X6X7 PROFILED	13009640		•	•	•	•																
1012	COVER 80X143X47/AIR BOX	13009642		•	•	•														05/15			
1015	HOUSING 565X522X133 D156 NC95-120/V5	65326271		•	•	•	•																
1020	AIR RECYCL.R176/87+SPOILER H106 WHITE	13009646		•	•																		
	AIR RECYCL.R176/87+SPOILER H132 BLACK	13009645				•	•																
1025	AIR RECYCLING 135X115X40 R16/VG5-NC120	65301017		•	•	•	•																
1040	GROMMET/HOUSING	13016845		•	•	•	•																
1050	AIR FLAP 232X154+SPRING+LEVER	13014117		•	•	•	•													05/15			
1051	AIR FLAP SPRING GREY	13011751		•	•															05/15			
1055	COUPLING CPL. L320/STE 4,5 B0	65301071		•	•															05/15			
1070	FAN WHEEL D215X82 d19	65300542			•		•																
	FAN WHEEL D240X82 D19	13009649		•	•																		
1075	MOTOR MOUNT.PLATE FAN WHE./V5-6/NC95-210	13018809		•	•	•	•																
1090	ACTUATOR STE 4,5 B0.37/6-R + CABLE L600	65300527		•	•	•														05/15			
1091	ACTUATOR STE 4,5 B0.37/6-L+CABLE L900	65326229			•		•																
	ACTUATOR STE 4,5 B0.37/6-L+CABLE L900	65326229		•		•														06/15			
1092	COVER 169X93X67/ACTUATOR	65326223			•		•													06/15			
	COVER 169X93X67/ACTUATOR	65326223		•		•														06/15			
1093	AIR FLAP 234/228X154 + INDICATOR	65326225			•		•													06/15			
	AIR FLAP 234/228X154 + INDICATOR	65326225		•		•														06/15			
1100	COVER GREY 590X547X476+SCREW/NC95-210	65300990		•	•	•	•																
1105	GASKET/COVER 10X3 L1000	13009772		•	•	•	•																
1111	FLAT HEAD SCREW M5X15	65300519		•	•	•	•																
1150	CAPACITOR 4µF 2P 3mm	13011117	ACC	•	•	•	•																
	CAPACITOR 6,3µF 2P 3mm	13010016	SIMEL	•	•	•	•																
1160	MOTOR 1.5KW 230/400V D19 + PLUG	13009654		•	•	•	•																
1165	MOTOR 0.16KW 230V GMP	13011607		•	•	•	•																
1170	COUPLING D18/14,7/11X22 PUMP/MOTOR	65074172		•	•	•	•																
1175	OIL PUMP A2L 95 D 9702	13011006		•	•	•	•																
1180	OIL FILTER H20-150µ /PUMP AT2-A2L	13011007		•	•	•	•																
1185	COIL SUN PUMP AS-AP-AL-AT-A2L	13010006		•	•	•	•																
1195	TUBES PUMP/NOZZLE LINE	13000969		•	•	•	•																
1196	TUBE PUMP/NOZZLE LINE 2 ST.	13018327		•	•	•	•																
1200	OIL HOSE DN8 G1/2M M16X38 90° L1500	13009815		•	•	•	•																
1205	MOTORPUMP PLATE 275X200 D115	65301276		•	•	•	•																
1240	AIR PRESSURE DIF.PLUG ADJUTAGE D0,7 L107	13009651		•	•	•	•																
1250	AIR PRESSURE SWITCH BASE D32	13020723		•	•	•	•																
1260	AIR PRESSURE SWITCH 604 1-10MBAR	65300991		•	•																		
	AIR PRESSURE SWITCH HUBA 604 5-20MBAR	65301048				•	•																

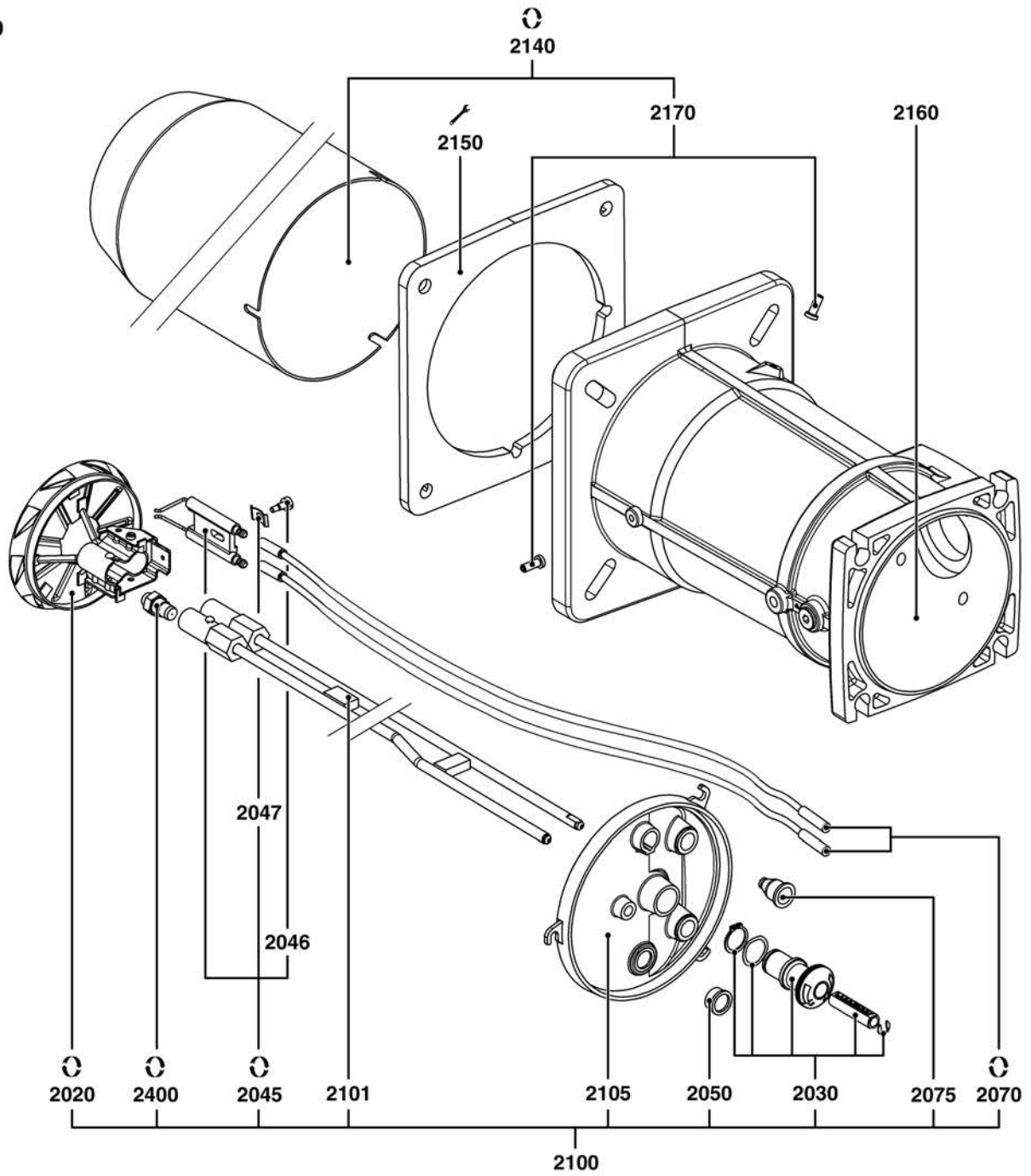
Oil burner CB-NC95-120-H2A (50/60HZ)



2000

CB-NC95-120-H2A (50/60HZ)

Oil burner



5000



Description	Manf. Pt. N	Type																		
			1	2	3	4	5	6	7	8	9	10	11	12	13	14	15	16	17	18
2000 COMBUSTION HEAD																				
2020 BAFFLE PLATE D114/60 6SL R	13017115										●	●	●							
BAFFLE PLATE D125/40 9SL R	13011594						●	●	●											
2030 BUTTON D35/20X60+VERNIER D12/8X48+CLIPS	13007852						●	●	●	●	●	●								
2045 ELECTROD.BLOC.25X48 D4D1,5X22 45° +SCREW	13007907										●	●	●							
ELECTROD.BLOC.27X55 d6,4 D2X23 45°+SCREW	13009726							●	●	●										
2046 WASHER HEAD SCREW M4/ELECTRODES BLOCK	13010049						●	●	●	●	●	●								
2047 FLANGE 20X11X2,6 FIX. ELECTRODE	13009725						●	●	●	●	●	●								
2050 SIGHT GLASS D20/18X10	13020327						●	●	●	●	●	●								
2070 IGNITION CABLE D4/D6,35 L1050X2	65301044							●	●	●	●	●								
IGNITION CABLE D4/D6,35 L850X2	13010059							●		●										
2075 RUBBER CAP D14/6X26//IGNITION CABLE	13009625						●	●	●	●	●	●								
2100 COMB.HEAD OIL L711 D114+NOZ.8,50+7,50GPH	65301041									●										
COMB.HEAD OIL L711 D125+NOZ.6,50+7,50GPH	65301038						●													
COMB.HEAD OIL L821 D114+NOZ.8,50+7,50GPH	65301043													●						
COMB.HEAD OIL L821 D125+NOZ.6,50+7,50GPH	65301040								●											
COMB.HEAD OIL L931 D114+NOZ.8,50+7,50GPH	65301042										●									
COMB.HEAD OIL L931 D125/40-9SL.CPL.	65301039								●											
2101 NOZZLE ROD D8 L711 M8 2 TUBES DIST.33	13011595						●			●										
NOZZLE ROD D8 L821 M8 2 TUBES DIST.33	13011597									●									●	
NOZZLE ROD D8 L931 M8 2 TUBES DIST.33	13011596								●			●								
2105 OIL COVER D168X39/C70-100-NC95-120 H/VL5	65326167							●	●	●	●	●	●							
2140 FLAME TUBE D170/141/125 L305	13011601							●												
FLAME TUBE D170/141/125 L415	13011603									●										
FLAME TUBE D170/141/125 L525	13011602								●											
FLAME TUBE D170/155 L305	65301045										●									
FLAME TUBE D170/155 L415	65301047											●								
FLAME TUBE D170/155 L525	65301046											●								
2150 GASKET/BURNER FLANGE 228X220X10 D180	13009619							●	●	●	●	●	●							
2160 FLANGE FIX. HEAD D171 L321/VL5-NC95/120H	65326207							●	●	●	●	●	●							
2170 SCREWS M6 FIX FLAME TUBE (3 PIECES)	13007804							●	●	●	●	●	●							
2400 NOZZLE DAN 6,50 GPH 45° B	13016045							●	●	●	●	●	●							
NOZZLE DAN 7,50 GPH 45° B	13016047							●	●	●	●	●	●							
NOZZLE DAN 8,50 GPH 45° B	13016048										●	●	●							
5000 ACCESSORIES																				
5001 NOZZLE DAN 10,00 GPH 45° B	13016039							●	●	●	●	●	●							
NOZZLE DAN 10,00 GPH 60° B	13016049							●	●	●	●	●	●							
NOZZLE DAN 11,00 GPH 45° B	13023430							●	●	●	●	●	●							
NOZZLE DAN 11,00 GPH 60° B	13016050							●	●	●	●	●	●							
NOZZLE DAN 12,00 GPH 60° B	65300688							●	●	●	●	●	●							
NOZZLE DAN 4,50 GPH 45° B	13016042							●	●	●	●	●	●							
NOZZLE DAN 4,50 GPH 60° B	13016053							●	●	●	●	●	●							
NOZZLE DAN 5,00 GPH 45° B	13016044							●	●	●	●	●	●							
NOZZLE DAN 5,00 GPH 60° B	65300630							●	●	●	●	●	●							
NOZZLE DAN 5,50 GPH 45° B	13016043							●	●	●	●	●	●							
NOZZLE DAN 5,50 GPH 60° B	13016054							●	●	●	●	●	●							
NOZZLE DAN 6,50 GPH 45° B	13016045							●	●	●	●	●	●							
NOZZLE DAN 6,50 GPH 60° B	13016056							●	●	●	●	●	●							
NOZZLE DAN 7,50 GPH 45° B	13016047							●	●	●	●	●	●							
NOZZLE DAN 7,50 GPH 60° B	13016058							●	●	●	●	●	●							
NOZZLE DAN 8,50 GPH 45° B	13016048							●	●	●	●	●	●							
NOZZLE DAN 8,50 GPH 60° B	13016059							●	●	●	●	●	●							

CB-NC95-120-H2A (50/60HZ)

Oil burner

ADDRESSES

www.oventrac.com



DESCRIZIONE DEI PANNELLI DI CONTROLLO

- 🔧** = **Manutenzione** / **Manutenção** / **Wartung**
 = **Reparação** / **Reparare** / **Reparieren**
- 🔄** = **Manutenzione** / **Manutenção** / **Wartung**
 = **Reparação** / **Reparare** / **Reparieren**
- ⚙️** = **Manutenzione** / **Manutenção** / **Wartung**
 = **Reparação** / **Reparare** / **Reparieren**
- ⚙️** = **Manutenzione** / **Manutenção** / **Wartung**
 = **Reparação** / **Reparare** / **Reparieren**

NUMEROSI DI REGISTRO

REGISTRO 77

77 **Caratteristiche:** 000001 / HRA
Operazione: Fortlaufende u. Gerätenummer
Finestra di installazione: FF000000000000000000000000
Finestra di installazione: FF000000000000000000000000
 LL → 2004 L It 2004
 MM → 2005 M M 2005
 etc... etc...

80 **Caratteristiche:** 000001 / HCB
Operazione: Fortlaufende u. Gerätenummer
Finestra di installazione: FF000000000000000000000000
Finestra di installazione: FF000000000000000000000000
 LL → 2004 L It 2004
 MM → 2005 M M 2005
 etc... etc...

111 **Caratteristiche:** 200071 1370 PR 07
Assegnazione: Assegnazione
Finestra di installazione: FF000000000000000000000000
Finestra di installazione: FF000000000000000000000000
Codice di errore: RR 000008
Operazione: SSS-6202009
 TT → 20010
 UU → 20011
 VVV → 20012
 XX → 20013
 YY → 20014
 ZZ → 20015