

SPARE PARTS EXPLODED VIEW GAS BURNERS

Model

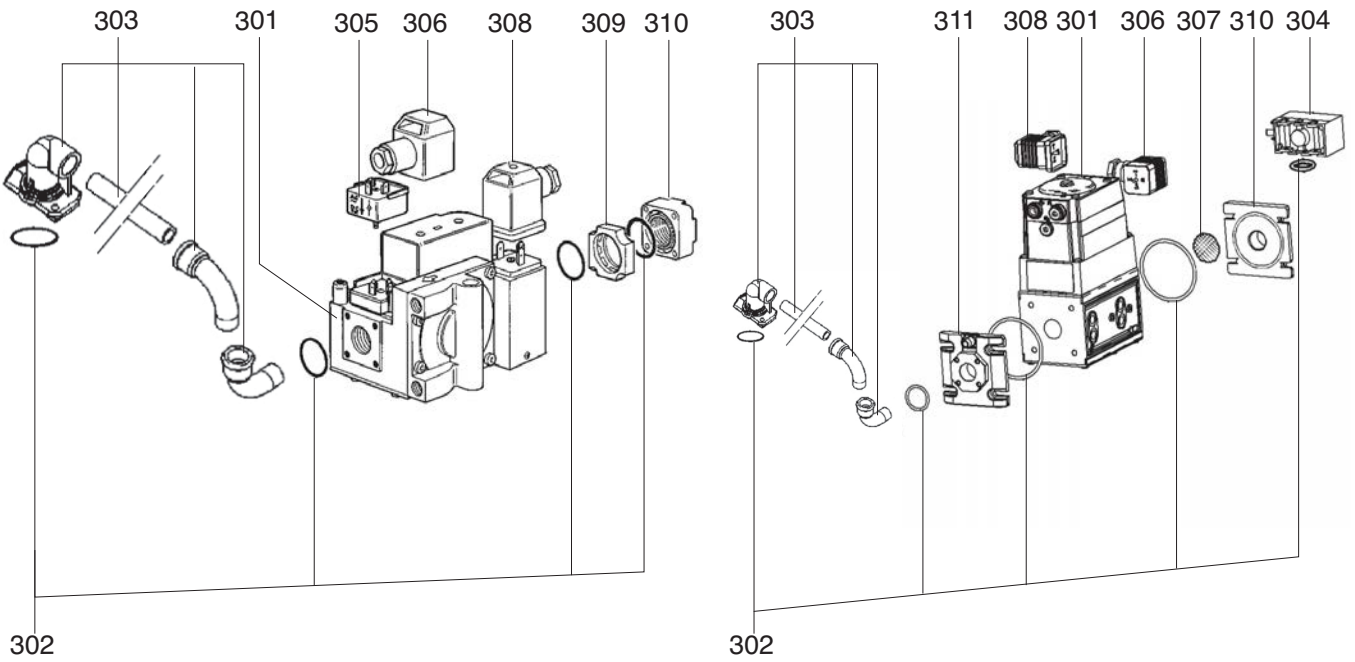
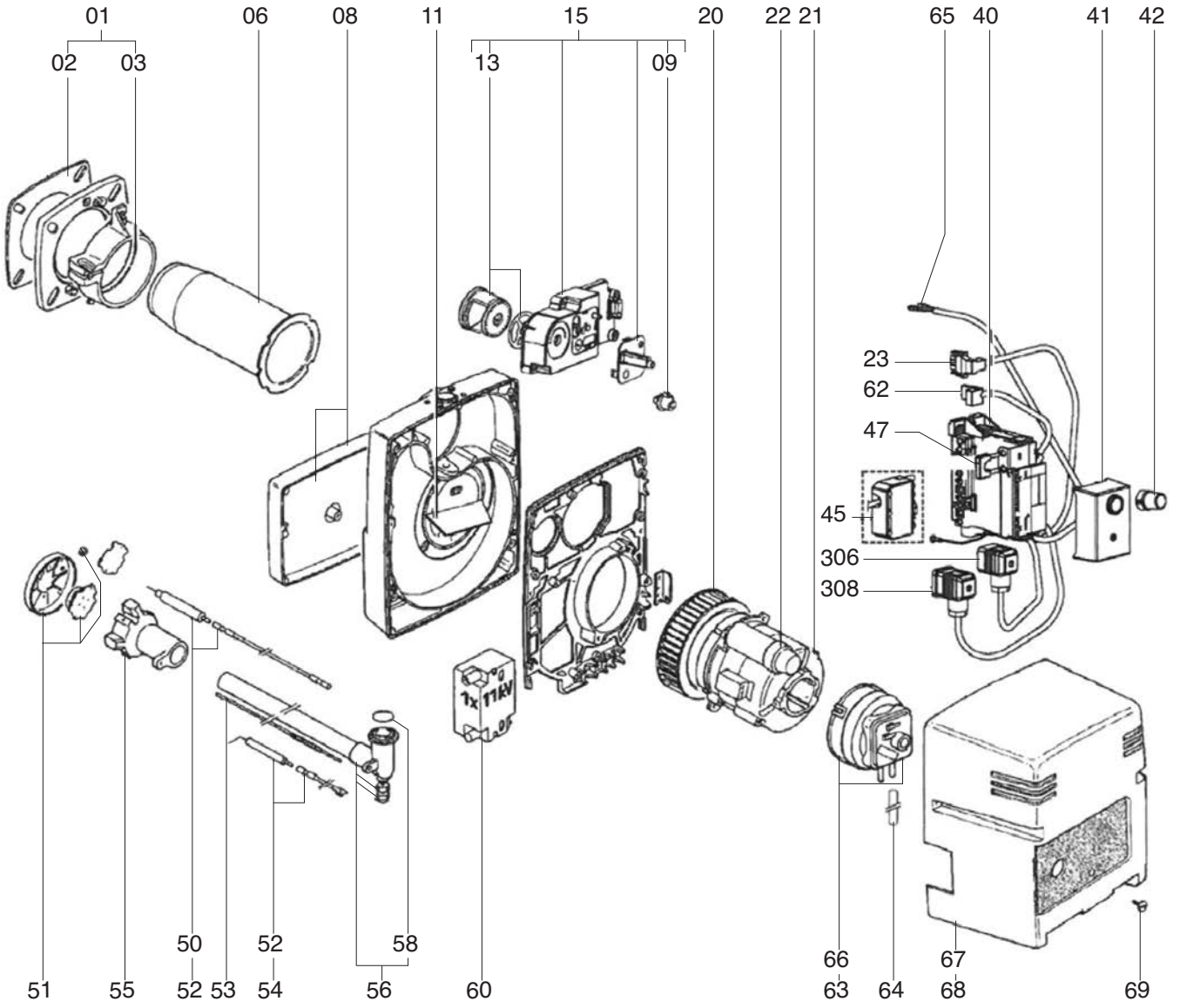
FC6, FC9 GX107/8

R8220265-01 - 30/05/2018

FC6, FC9 GX107/8

Gas burners

1	13011651	FC6 GX107/8 P20	10-2002	06-2008
2	13011653	FC9 GX107/8 P20/300	10-2002	06-2008
3	13014015	FC6 GX107/8 P20	10-2002	06-2008
4	13014016	FC9 GX107/8 P20/300	10-2002	06-2008
5	13020032	FC6 GX107/8 P20	10-2002	06-2008
6	13020033	FC9 GX107/8 P20/300	10-2002	06-2008
Col	Reference	Model type	Begin	End



13011681
 13011683
 13014015
 13014016
 13020092
 13020093

0-0
31

	Description	Manf. Pt N	Type	1	2	3	4	5	6	7	8	9	10	11	12	13	14	15	16	17	18	From	to
0001	BOILER ACCESSORY D80 EUROFLANGE	13022754		●		●		●															
	BOILER ACCESSORY D90 EUROFLANGE	13018849			●		●		●		●												
0002	GASKET/BURNER FLANGE 156X156X5 D90	13010502			●		●		●		●												
	GASKET/BURNER FLANGE 156X156X6 D80	13022749			●		●		●		●												
0003	GASKET/BRAID D80X5X5-267	13011148			●		●		●														
	GASKET/BRAID D90X5X5-298	13011149			●		●		●		●												
0006	FLAME TUBE D80/65/58 L193	13007732		●		●		●		●													
	FLAME TUBE D90/75/68 L193	13007733			●		●		●		●												
0008	AIR ADMISSION (LAS)	13019633							●		●												
	INSULATION NC9/V1.95	13018442			●		●																
	SOUND INSULATION / CASING AIR	13019512		●		●																	
0009	BUTTON ADJUST FLAP D28,5X28	13010509		●	●	●	●	●	●														
0011	AIR RECYCLING D103/35 100X95 L39 108°	13010512		●		●		●															
	AIR RECYCLING D103/45 SPO.100X97 L55 65°	13010513			●		●		●		●												
0013	AIR FLAP D59/55X30+SPRING	13010515		●	●	●	●	●	●														
0015	BOX ADJUST FLAP ASS. /GAS	13010473		●	●	●	●	●	●														
0020	FAN WHEEL D133X42 D10	13010101		●		●		●															
	FAN WHEEL D133X62 D10	13010517			●		●		●		●												
0021	MOTOR 0,085KW 230V D10	13010518		●	●	●	●	●	●														
0022	CAPACITOR 3µF 4P 6,4MM	13010520		●	●	●	●	●	●														
0023	CABLE MOTOR+PLUG 3P/RAST3P L300	13010519		●	●	●	●	●	●														
0040	ELECTRIC CONNECTION BOX GAS	13010521		●	●	●	●	●	●														
0041	CONTROL UNIT SG 113 C1	13010522		●	●	●	●	●	●														
0042	BUTTON EXTENSION/RESET CONTROL UNIT	13010964		●	●	●	●	●	●														
0045	WIELAND PLUG 7P.	13009670		●	●	●	●	●	●														
0047	IONISATION BRIDGE	13010524		●	●	●	●	●	●														
0050	IGNITION CABLE D4/D4 L380	65300077		●	●	●	●	●	●														
0051	SET BAFFLE PLATE D64,5 + NOZZLE D45 +CAP	13007726		●		●		●															
	SET BAFFLE PLATE D74 + NOZZLE D59 + CAP	13007727			●		●		●														
0052	IGNIT.ELECTRODE D6X80 d4 D2X7 FLANGE	13007797		●	●	●	●	●	●														
0053	ADJUST ROD D4,8 L233 M6/M5+NUT M5X0,8	13010526		●		●		●															
	ADJUST ROD D4,8 L255 M6/M5+NUT M5X0,8	13010527			●		●		●														
0054	IONISATION PROBE D8X80 D4 D2X27 80° F+S	13010529		●	●	●	●	●	●														
0055	GAS HEAD L67 D62/20	65300237		●		●		●															
	GAS HEAD L67 D72/22 +O-RING 4 BRANCH.	13010532			●		●		●														
0056	GAS ELBOW+TUBE LG.160	13010533		●	●	●	●	●	●														
0058	O-RING D24X3	13010534		●	●	●	●	●	●														
0060	IGNITION TRANSFO.EBI 1X11 230V+EARTH CO.	65300715		●	●	●	●	●	●														
0062	CABLE IGNIT.TRANSFO+PLUG 3P/RAST 2P L250	13010535		●	●	●	●	●	●														
0063	AIR PRESS.SWITCH 604.92 1-10MBSAV LGW10	65300017		●	●	●	●	●	●														
0064	IGNITION CABLE D8/4X150	12001953		●	●	●	●	●	●														
0065	CABLE AIR P.SWITCH+RAST2P/FAST.6,3 L200	13010537		●	●	●	●	●	●														
0066	HOLDER PRESSURE SWITCH LGWC	13003919		●	●	●	●	●	●														
0067	STANDARD FRONT COVER.NC4	13010540		●	●	●	●	●	●														
0068	BURNER COVER GREY CPL. NC4..9 H-GX	13015666		●	●	●	●	●	●														
0069	OVAL HEAD SCREW/FIX COVER	13007853		●	●	●	●	●	●														
0300	GAS VALVE																						
0301	GAS VALVE CG10 R70 D1T5WZ	13010541		●		●		●															
	GAS VALVE CG15 R03 D2W5 +FLANGE	13010542			●		●		●														
0302	O-RING KIT D24X3+ D22X2,5 (3)/CG10	13010543		●		●		●															
	O-RING KIT D24X3+D22X2,5+D7X2/CG15	13010961			●		●		●														
0303	GAS TUBE CPL.	13014094		●	●	●	●	●	●														
0304	GAS PRESS.SWITCH DG 45 10-45MB	13010960		●	●	●	●	●	●														
0305	SUPPLY RECTIFIER VALVE CG10(AC=DC/BO)	13010544		●	●	●	●	●	●														
0306	STRAIGHT PLUG GDMW 3011DF BLACK	6148542727		●	●	●	●	●	●														
0307	STRAINER 76X76 /VALVE CG15	13010966		●	●	●	●	●	●														
0308	STRAIGHT PLUG GDMW 3011DF GREY	6148542738		●	●	●	●	●	●														
0309	STRAINER+SPACER+2 O-RING/CG10	13010547		●	●	●	●	●	●														
0310	FLANGE CG10 RP1/2	13010548		●		●		●															
	FLANGE CG15 RP1/2	13010968			●		●		●														
0311	FLANGE CG15 RP1/2	13010968		●	●	●	●	●	●														

FC6, FC9 GX107/8

Gas burners

