



# SPARE PARTS EXPLODED VIEW GAS BURNERS

Model

**CB-NC160-210-GX9A-GX10A/TC (/PED)**

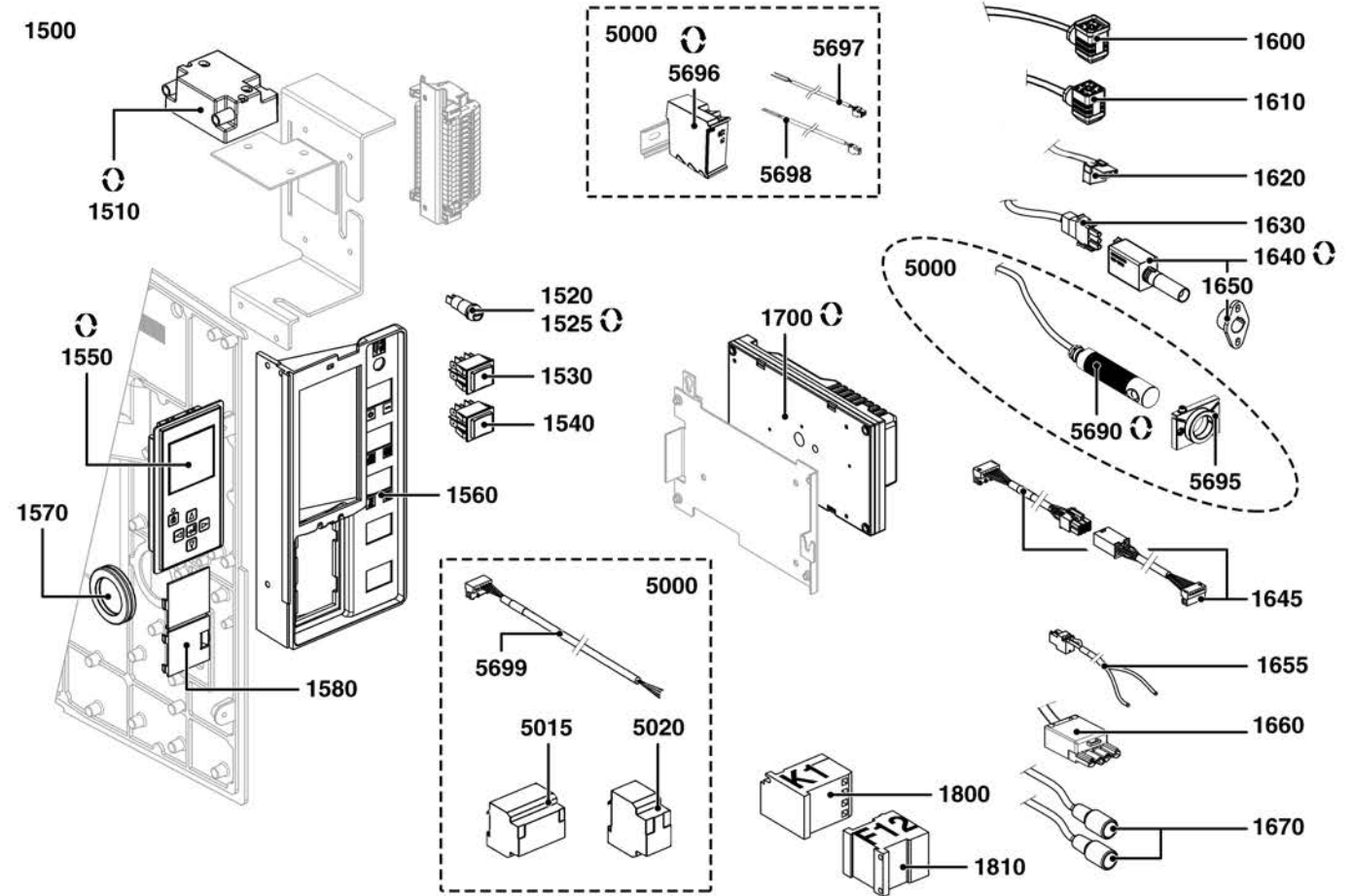
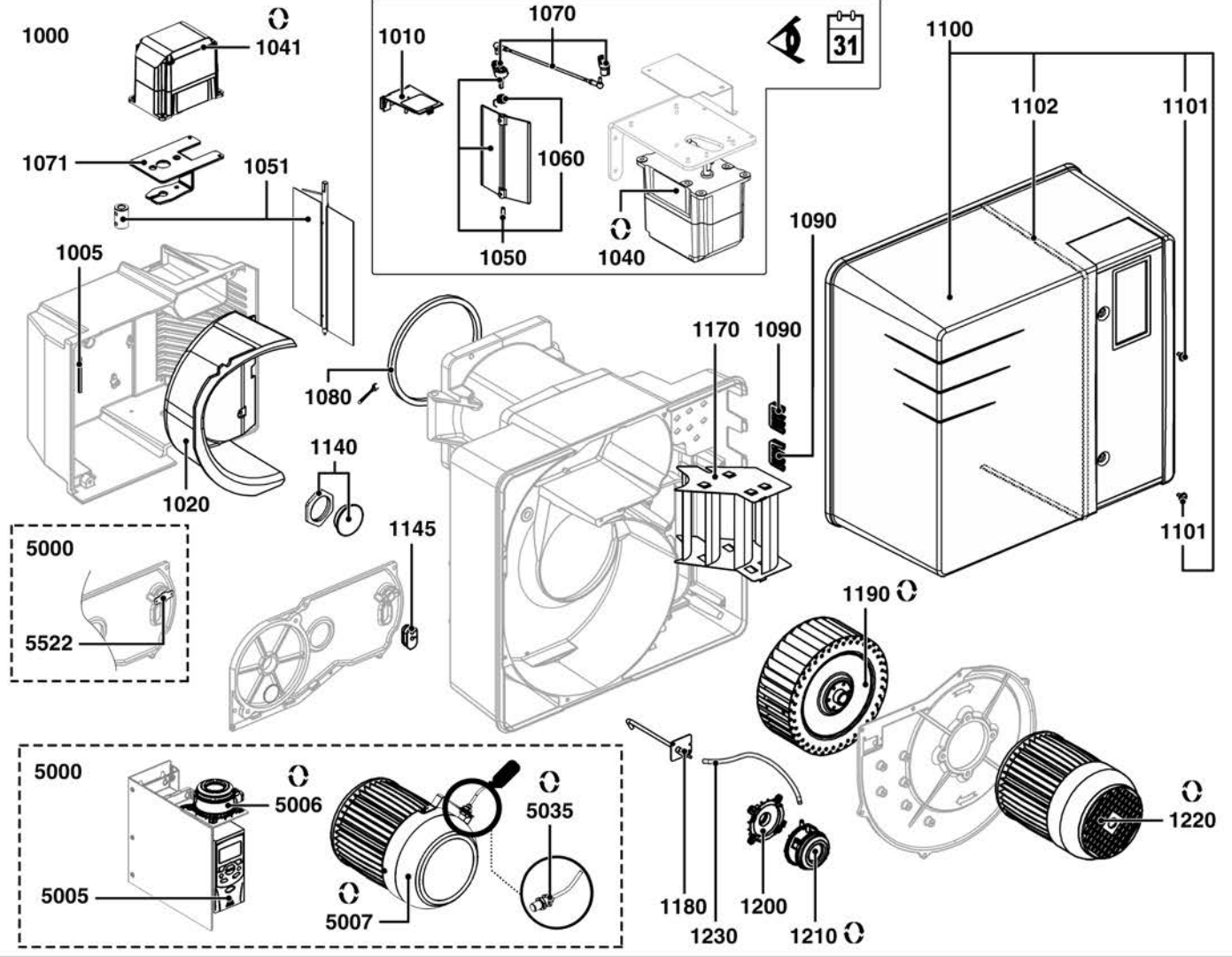
R8220138-06 - 22/11/2021

CB-NC160-210-GX9A-GX10A/TC (/PED)

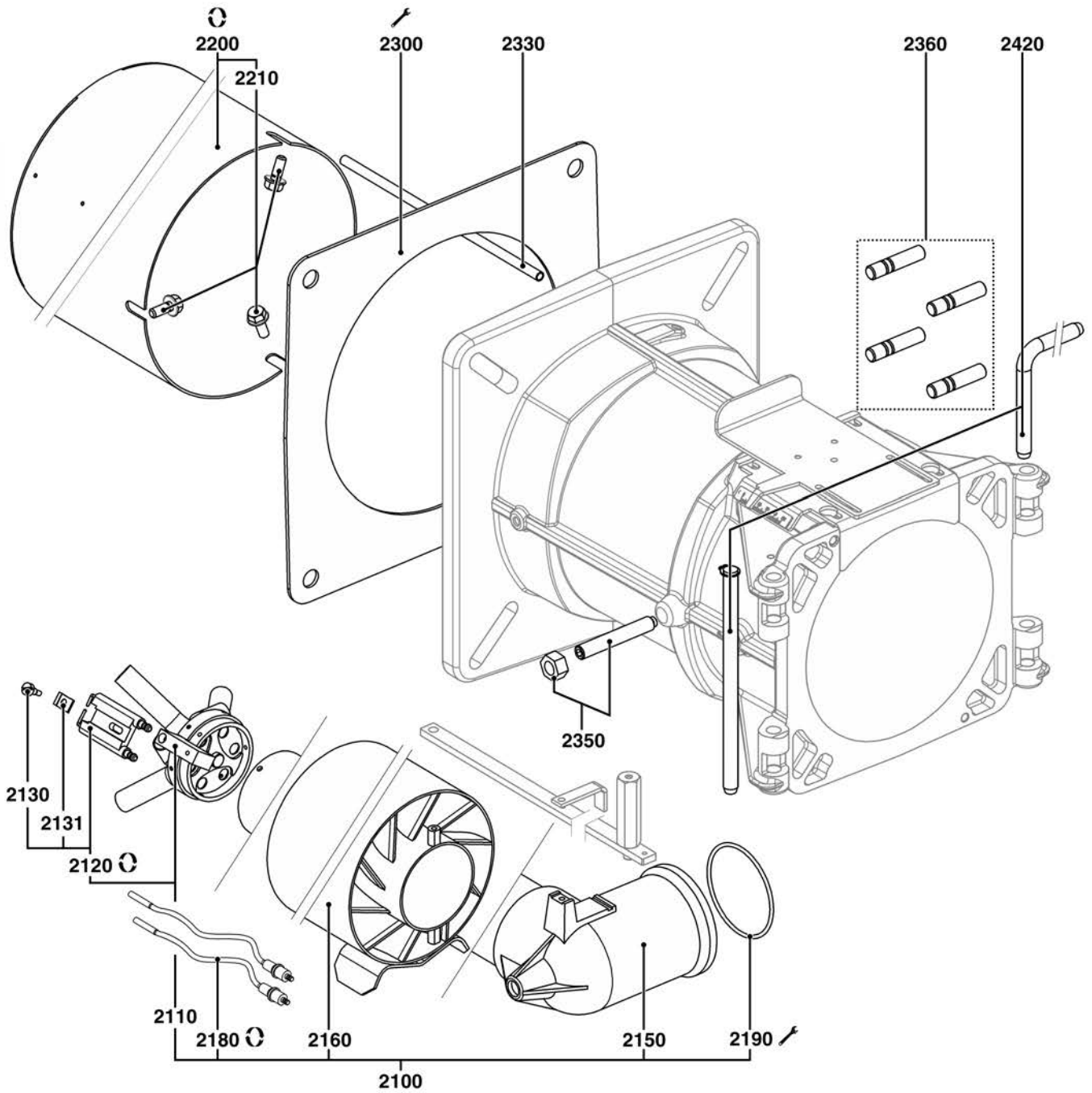
Gas burners

1	3833685	BB-NC160 GX907A /TC	03-2013	-
2	3834675	BB-NC160 GX907/8A/TC/PED	04-2015	-
3	3834762	BB-NC160 GX1007/8A /TC	09-2015	-
4	3834766	BB-NC160 GX1007/8A/TC/PED	09-2015	-
5	3833686	BB-NC210 GX907A /TC	03-2013	-
6	3834676	BB-NC210 GX907/8A/TC/PED	04-2015	-
7	3834763	BB-NC210 GX1007/8A /TC	09-2015	-
8	3834767	BB-NC210 GX1007/8A/TC/PED	09-2015	-
9	3833422	CH-G0731-T1/KN	02-2011	-
10	3833484	CH-G0731-T2/KL	10-2011	-
11	3833615	CH-G0731-T3/KM	10-2011	-
12	3837118	GT - D423 - 2"-RP 2" /TC	07-2021	-
13	3834659	GT-D420-1"1/2-RP2"/TC	02-2015	-
14	3834660	GT-D421-2"-RP2"/TC	02-2015	-
15	3834661	GT-D422-65-DN65 /TC	02-2015	-
16	3834662	GT-S42-65-DN65/TC	02-2015	-

Col	Reference	Model type	Begin	End
-----	-----------	------------	-------	-----



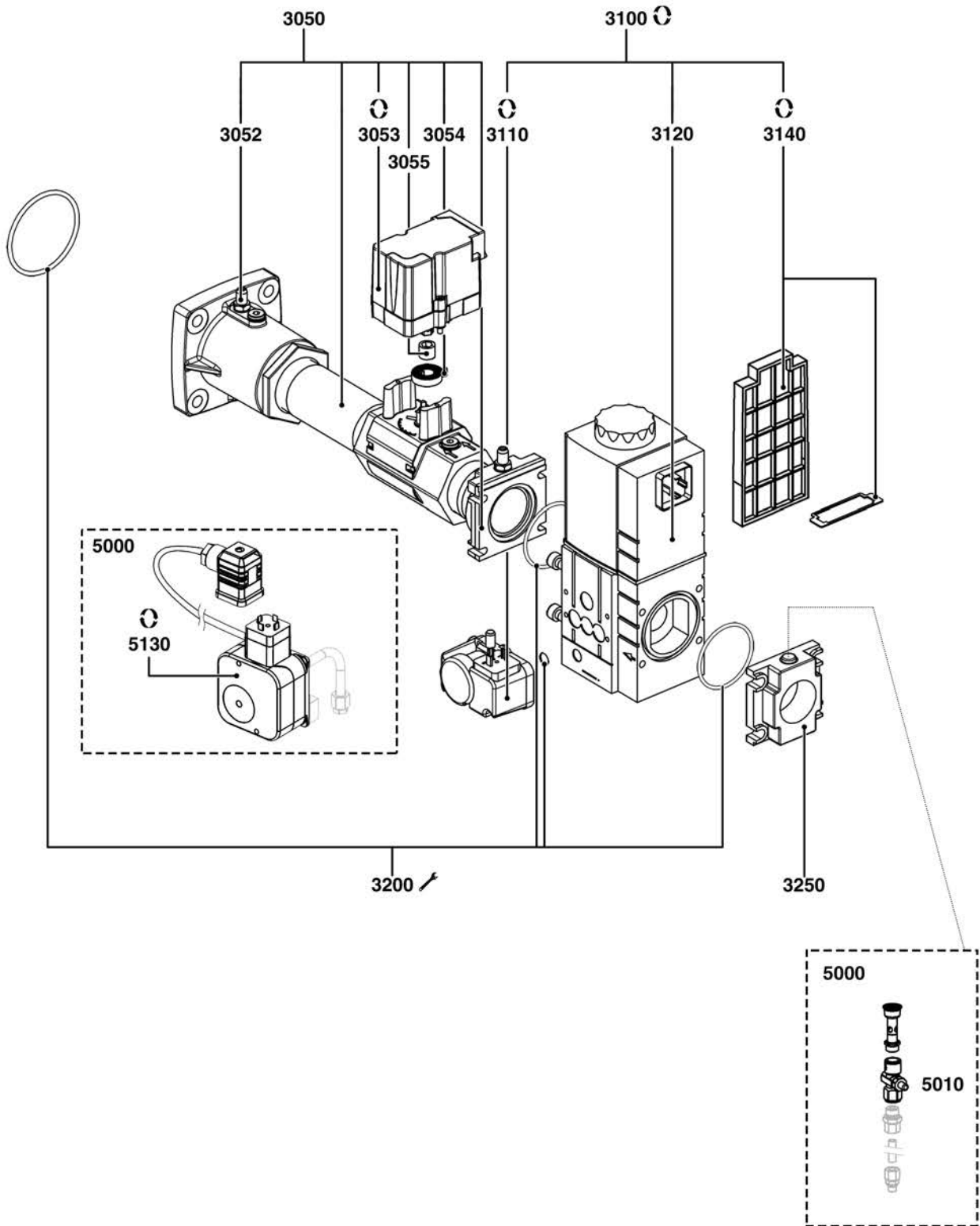




☉→	Description	Manf. Pt. N	Type	<div style="display: flex; justify-content: space-between; font-size: small; transform: rotate(-45deg);"> <span>BB-NC160-GX907A/TC</span> <span>BB-NC160-GX907BA/TC/PED</span> <span>BB-NC160-GX1007BA/TC</span> <span>BB-NC210-GX907A/TC</span> <span>BB-NC210-GX907BA/TC</span> <span>BB-NC210-GX1007BA/TC/PED</span> <span>CH-G073-1-11KN</span> <span>CH-G073-1-12KN</span> <span>CH-G073-1-T2IKL</span> <span>GT-D42-2-1-12-RP2/TC</span> <span>GT-D42-2-2-RP2/TC</span> <span>GT-D42-2-3-RP2/TC</span> <span>GT-S42-65-DN65/TC</span> </div>																		<div style="border: 1px solid black; padding: 2px; display: inline-block;">31</div>	
				1	2	3	4	5	6	7	8	9	10	11	12	13	14	15	16	17	18	From	to
2000	<b>COMBUSTION HEAD</b>																						
2100	COMB.HEAD GAS L506 D151 F3 PLATE CPL.	65301027								●													
	COMB.HEAD GAS L606 D151 F3 PLATE CPL.	65301029									●												
	COMB.HEAD GAS L706 D151 F3 PLATE CPL.	65301028								●													
2110	GAS HEAD D75/70X22+GAS TUBE D18+ELECT.	65301030							●	●	●												
2120	ELECTROD.BLOC.27X55 d6,4 D2X23 45°+SCREW	13009726							●	●	●												
2130	CYLINDRIC SCREW D10/5/M4X17,5/ELECTRODE	13010049							●	●	●												
2131	FLANGE 20X11X2,6 FIX. ELECTRODE	13009725							●	●	●												
2150	GAS ELBOW D95/70 L125/506 90°	65301117							●														
	GAS ELBOW D95/70 L125/606 90°	65301119									●												
	GAS ELBOW D95/70 L125/706 90°	65301118								●													
2160	SWIRLER D155/75X220 10SL	65301120							●	●	●												
2180	IGNITION CABLE D6,35/D6,35 L950 X2 HEAD	13009727							●	●	●												
2190	O-RING D75X4	13009731							●	●	●												
2200	FLAME TUBE D227/157 L380	65301031							●														
	FLAME TUBE D227/157 L530	65301033									●												
	FLAME TUBE D227/157 L623	65301032								●													
2210	SCREW HEX.13 D18/M8X20 (X.3)/FLAME TUBE	13009723							●	●	●												
2300	GASKET/BURNER FLANGE 335X326X3 D250	13009719							●	●	●												
2330	FURNACE PRESSURE TUBE LG. 250MM	65300252							●														
	FURNACE PRESSURE TUBE LG. 350MM	65300597								●	●												
2350	HEADLESS SCREW M12X80+NUT/FIX.GAS ELBOW	65300854							●	●	●												
2360	STUDS SET M12X40+NUT	13022998							●	●	●												
2420	SPINDLE/HINGE BODY-HEAD D12X210+D12X83	13009724							●	●	●												

CB-NC160-210-GX9A-GX10A/TC (/PED)

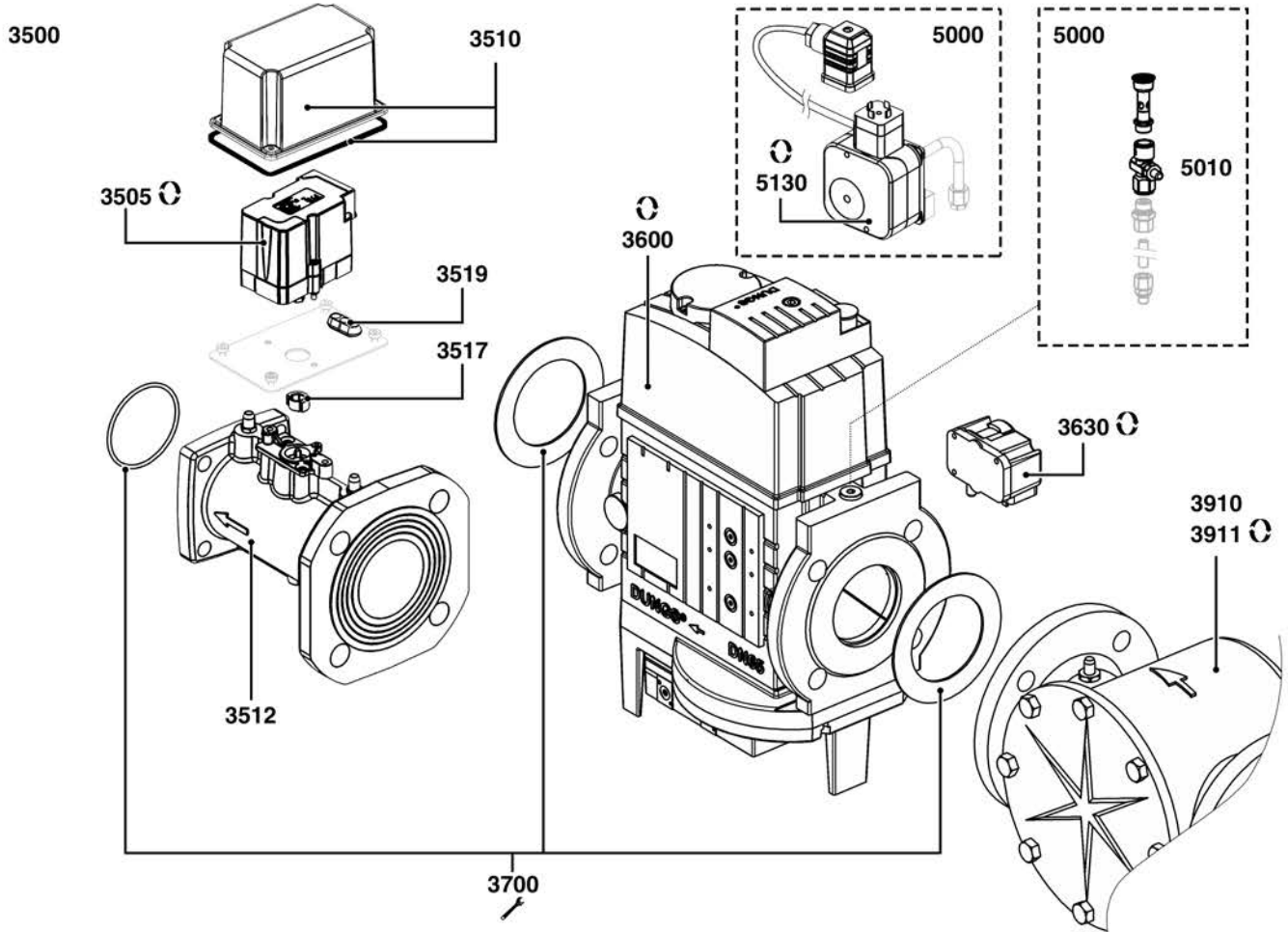
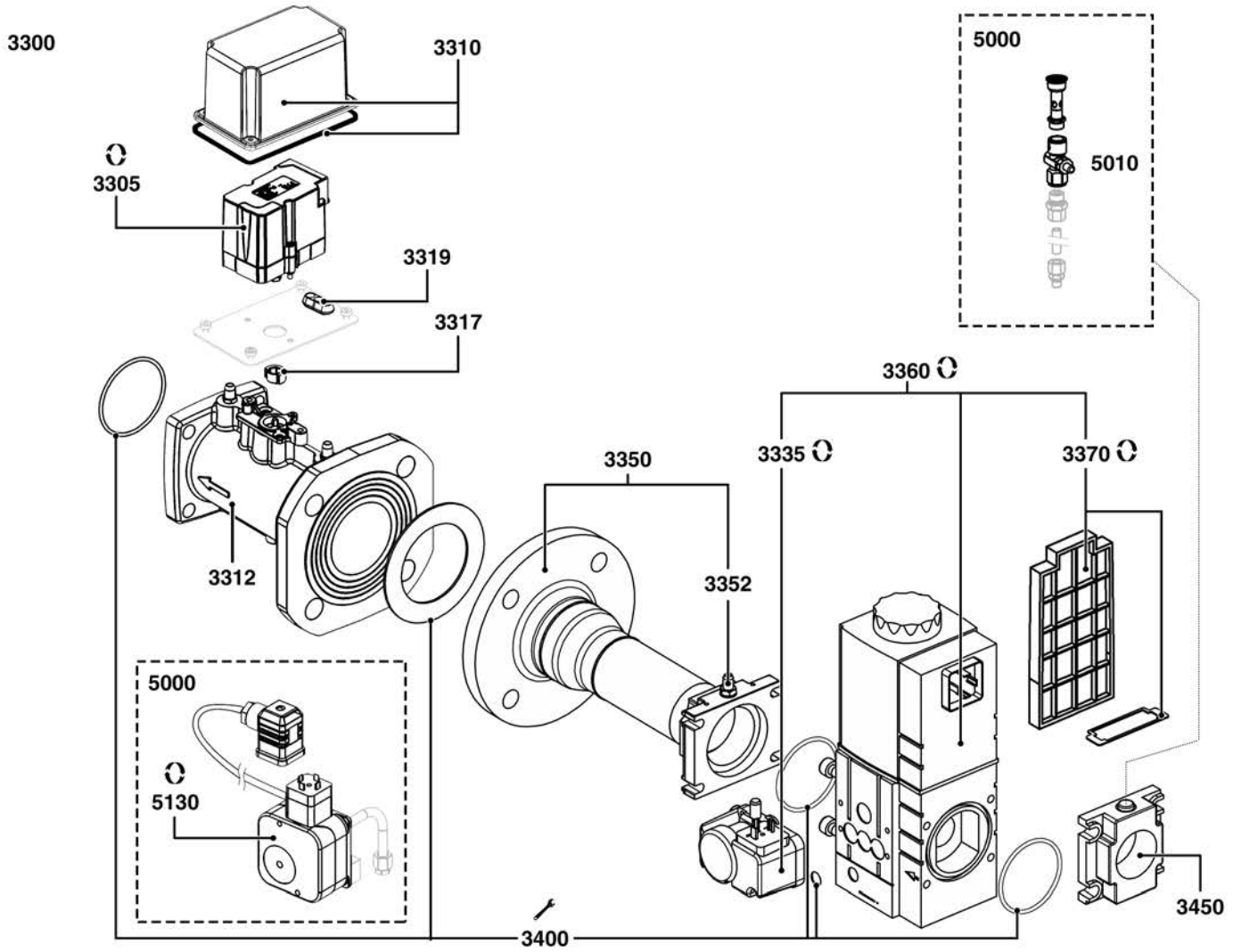
Gas burners



☉⇒	Description	Manf. Pt. N	Type	<div style="display: flex; justify-content: space-between; font-size: 8px; transform: rotate(-45deg);"> <span>BB-NC160 GX907A /TC</span> <span>BB-NC160 GX907BA /TC</span> <span>BB-NC160 GX1007BA /TC</span> <span>BB-NC160 GX1007BA /TC</span> <span>BB-NC210 GX907A /TC</span> <span>BB-NC210 GX907BA /TC</span> <span>CH-G0731-T1/KN</span> <span>CH-G0731-T2/KL</span> <span>GT-D421-2-RP2 /TC</span> <span>GT-D421-2-RP2 /TC</span> <span>GT-D422-85-DN65 /TC</span> <span>GT-S42-65-DN65 /TC</span> </div>																		31	
				1	2	3	4	5	6	7	8	9	10	11	12	13	14	15	16	17	18	From	to
<b>3000</b>	<b>GAS TRAIN</b>																						
3050	GAS COLLECTOR 106X106/RP2 2" L444+STE4	65329189																					
3052	PRESSURE TAP R1/8	13009722																					
3053	ACTUATOR STE 4,5 B0.37/6-R + CABLE L600	65300527																					
3054	SPRING SPIRAL D35X6,5 1,2NM/ACTUATOR	13009688																					
3055	RING D12,8/11,4X10/ACTUATOR	13014901																					
3100	GAS VALVE MB DLE 420 B01S52	65329190																					
3110	GAS PRESS.SWITCH GW 150 A5 5-150MB	13010078																					
3120	COIL DUNGS MB-DLE 420 B01 SX2	65300708																					
3140	STRAINER MBC 300	13022415																					
3200	O-RING KIT D70X3+D74X3 (2)D11X2/MBC700	65300981																					
3250	FLANGE MBC300 RP1 1/4	13022621																					
<b>5000</b>	<b>ACCESSORIES</b>																						
5010	TRIAL BURNER WITH PUSH-BUTTON PB2	65311362																					
5130	MAX. GAS PRES. SWITCH UB50 A2+CABLE L600	65326220	PED																				

CB-NC160-210-GX9A-GX10A/TC (/PED)

Gas burners

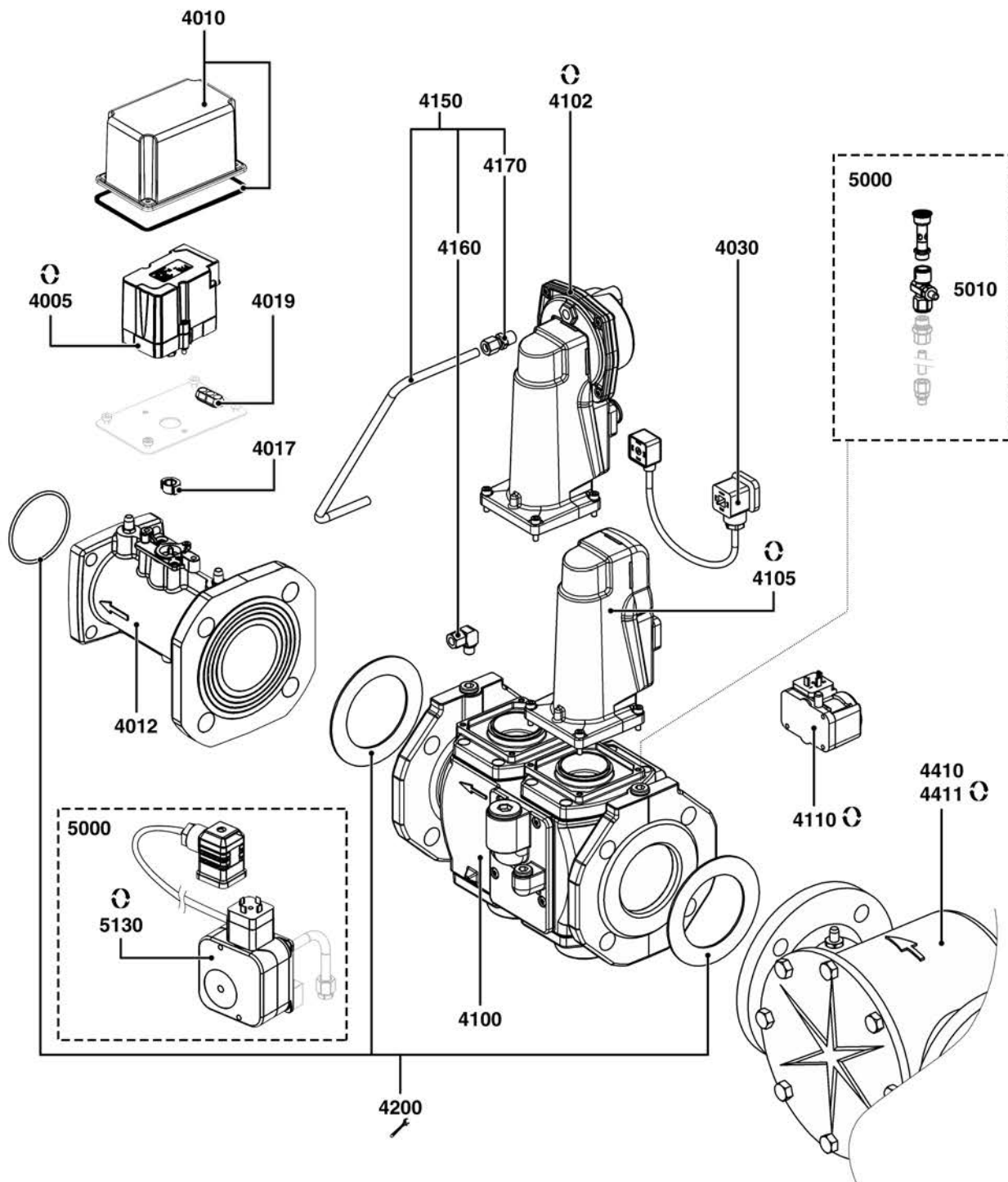




☉⇒	Description	Manf. Pt N	Type	<div style="display: flex; justify-content: space-between; font-size: 8px; transform: rotate(-45deg);"> <span>BB-NC160 GX907A /TC</span> <span>BB-NC160 GX907BA/TC/PED</span> <span>BB-NC160 GX1007BA /TC</span> <span>BB-NC160 GX1007BA/TC/PED</span> <span>BB-NC210 GX907A /TC</span> <span>BB-NC210 GX907BA/TC/PED</span> <span>CH-G0731-L1/KN</span> <span>CH-G0731-T2/KN</span> <span>GT-D42-2-PP2 /TC</span> <span>GT-D42-2-PP2 /TC</span> <span>GT-D42-2-PP2 /TC</span> <span>GT-D42-2-PP2 /TC</span> <span>GT-D42-2-PP2 /TC</span> <span>GT-D42-2-PP2 /TC</span> <span>GT-D42-2-PP2 /TC</span> <span>GT-D42-2-PP2 /TC</span> <span>GT-D42-2-PP2 /TC</span> </div>																		From	to
				1	2	3	4	5	6	7	8	9	10	11	12	13	14	15	16	17	18		
<b>3300</b>	<b>GAS TRAIN</b>																						
3305	ACTUATOR STE 4,5 B0.37/6-R + CABLE L600	65300527																					
3310	COVER 125X79X73/ACTUATOR STE 4,5	65312327																					
3312	GASFLAP 164X164 DN65 L200	65301268																					
3317	ROTATION STOP F. SHAFT STE4.5 0.8NM	65301267																					
3319	CABLE GROMMET 34X15 D6,2	65312458																					
3335	GAS PRESS.SWITCH GW 150 A5 5-150MB	13010078																					
3350	GAS COLLECTOR DN65/RP2 L248	13009693																					
3352	PRESSURE TAP R1/8	13009722																					
3360	GAS VALVE MBC1200 SE S82 RP2+GPS GW150	65300008																					
	GAS VALVE MBC700 SE S82 RP1 1/2+GW150	13022996																					
3370	STRAINER MBC 1200	13022417																					
	STRAINER MBC 700	13022416																					
3400	O-RING KIT D70+D74X3+D115/77/MBC700-1200	65301065																					
3450	FLANGE MB415/420 RP1 1/2 + PRES.PLUG	65322637																					
<b>3500</b>	<b>GAS TRAIN</b>																						
3505	ACTUATOR STE 4,5 B0.37/6-R + CABLE L600	65300527																					
3510	COVER 125X79X73/ACTUATOR STE 4,5	65312327																					
3512	GASFLAP 164X164 DN65 L200	65301268																					
3517	ROTATION STOP F. SHAFT STE4.5 0.8NM	65301267																					
3519	CABLE GROMMET 34X15 D6,2	65312458																					
3600	GAS VALVE MBC1900 SE DN65+GW150 (258846)	65301067																					
3630	GAS PRESS.SWITCH GW 150 A5 5-150MB	13010078																					
3700	O-RING KIT D70X3+ D115/77(2)/MBC1900/VGD	65301066																					
3910	EXTERNAL GAS FILTER DN65	13009703																					
3911	STRAINER DN65 /ANELLO	13009704																					
<b>5000</b>	<b>ACCESSORIES</b>																						
5010	TRIAL BURNER WITH PUSH-BUTTON PB2	65311362																					
5130	MAX. GAS PRES. SWITCH UB50 A2+CABLE L600	65326220	PED																				

CB-NC160-210-GX9A-GX10A/TC (/PED)

Gas burners



☉⇒	Description	Manf. Pt. N	Type	<div style="border: 1px solid black; padding: 2px; transform: rotate(-45deg); font-size: 8px;">             BB-NC160 GX907A /TC              BB-NC160 GX907BA /TC /PED              BB-NC160 GX1007BA /TC              BB-NC160 GX1007BA /TC              BB-NC210 GX907A /TC              BB-NC210 GX907BA /TC              CH-G0731-T1 /KN              CH-G0731-T2 /KL              GT-D421-1-T3 /KM              GT-D421-2-RP2 /TC              GT-D422-85-DN65 /TC              GT-S42-65-DN65 /TC           </div>																		From	to
				1	2	3	4	5	6	7	8	9	10	11	12	13	14	15	16	17	18		
<b>4000</b>	<b>GAS TRAIN</b>																						
4005	ACTUATOR STE 4,5 B0.37/6-R + CABLE L600	65300527																	•				
4010	COVER 125X79X73/ACTUATOR STE 4,5	65312327																	•				
4012	GASFLAP 164X164 DN65 L200	65301268																	•				
4017	ROTATION STOP F. SHAFT STE4.5 0.8NM	65301267																	•				
4019	CABLE GROMMET 34X15 D6,2	65312458																	•				
4030	CABLE CONNECT AGA 62 PLUG DIN L270	13020958																	•				
4100	GAS VALVE VGD40 065 DN65	65323661																	•				
4102	GAS ACTUATOR SKP25.003E2 W.O.END SWITCH	65107100																	•				
4105	GAS SERVOM. SKP15.000E2 W/O LIMIT SW.	13020951																	•				
4110	GAS PRESS.SWITCH GW 150 A5 5-150MB	13010078																	•				
4150	GAS PRESSURE TUBE WITH UNION	65301068																	•				
4160	ANGLED UNION	13023188																	•				
4170	STRAIGHT UNION	13009721																	•				
4200	O-RING KIT D70X3+ D115/77(2)/MBC1900/VGD	65301066																	•				
4410	EXTERNAL GAS FILTER DN65	13009703																	•				
4411	STRAINER DN65 /ANELLO	13009704																	•				
<b>5000</b>	<b>ACCESSORIES</b>																						
5010	TRIAL BURNER WITH PUSH-BUTTON PB2	65311362																	•				
5130	MAX. GAS PRES. SWITCH UB50 A2+CABLE L600	65326220	PED																•				

# ADDRESSES

www.bosch.com

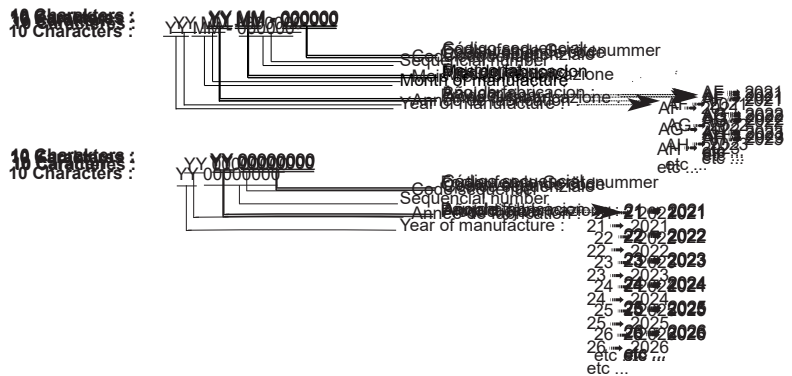


# DESCRIZIONE DEI RIFERIMENTI SCHEMIZZATE

- = **Strumenti** / **Tools**
- = **Accessori** / **Accessories**
- = **Gas** / **Gas**
- = **Wiring** / **Wiring**
- = **Parts** / **Parts**

# NUMEROSI DI IDENTIFICAZIONE

## SCHEMIZZATE IDENTIFICAZIONE



Dispositivo a gas. Leggere attentamente il manuale di istruzioni. Per informazioni sui punti vendita Bosch, visitate il sito [www.bosch.it](http://www.bosch.it).  
 Gas appliance. Read the instruction manual carefully. For information on sales points, visit the website [www.bosch.it](http://www.bosch.it).  
 Gasgerät. Bitte lesen Sie das Handbuch sorgfältig durch. Für Informationen zu den Verkaufsstellen besuchen Sie die Website [www.bosch.it](http://www.bosch.it).