

SPARE PARTS EXPLODED VIEW GAS BURNERS

Model

C70, C100 GX 507/8

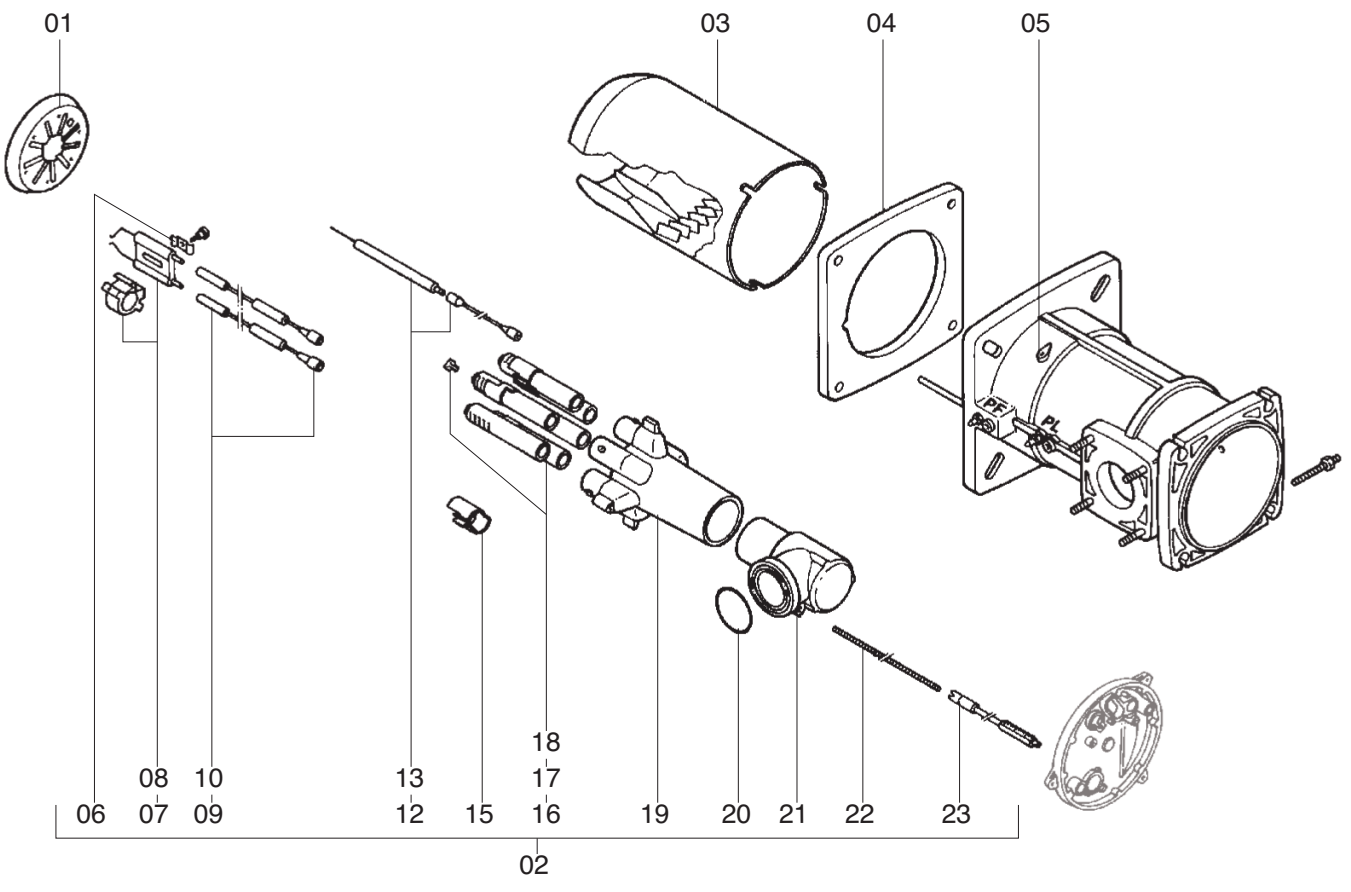
R8220254-01 - 19/03/2018

C70, C100 GX507/8

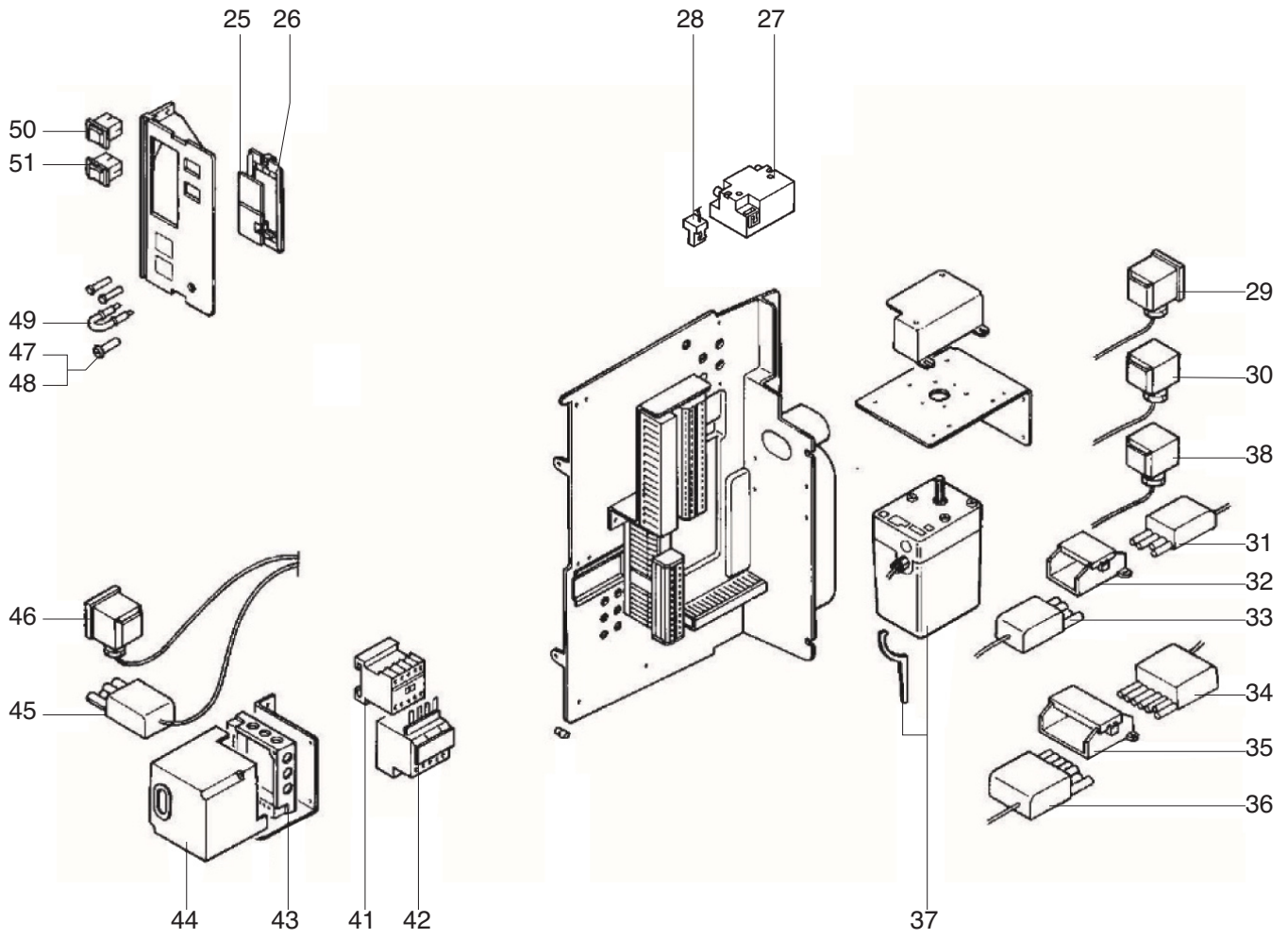
Gas burners

| | | | | |
|----|----------|------------------------|---------|---------|
| 1 | 13000175 | BB-C70 G507/8 FR IT | 12-1995 | 09-2002 |
| 2 | 13000176 | BB-C100 G507/8 FR IT | 12-1995 | 09-2002 |
| 3 | 13000436 | CH - G631 - T1/KN | 12-1995 | 12-2011 |
| 4 | 13000437 | CH - G631 - T2/KL | 12-1995 | 12-2011 |
| 5 | 13000438 | CH - G631 - T3/KM | 12-1995 | 12-2011 |
| 6 | 13000445 | CH - G632 - T1/KN | 12-1995 | - |
| 7 | 13000446 | CH - G632 - T2/KL | 12-1995 | 12-2011 |
| 8 | 13000447 | CH - G632 - T3/KM | 12-1995 | 12-2011 |
| 9 | 13004912 | GT -D35 - 1"1/2 - RP2" | 12-1995 | 12-2011 |
| 10 | 13000341 | GT -D321 - 1 1/4-RP2 | 12-1995 | 12-2011 |
| 11 | 13000192 | GT -D33 - 3/4 - RP1 | 12-1995 | 12-2011 |
| 12 | 13000193 | GT-S3xx-1"1/2-RP2" | 12-1995 | 09-2002 |
| 13 | 13000194 | GROUPE VANNE GV VGG.10 | 12-1995 | 09-2002 |
| 14 | 13000216 | GT-S3xx-65-DN65 | 12-1995 | 09-2002 |

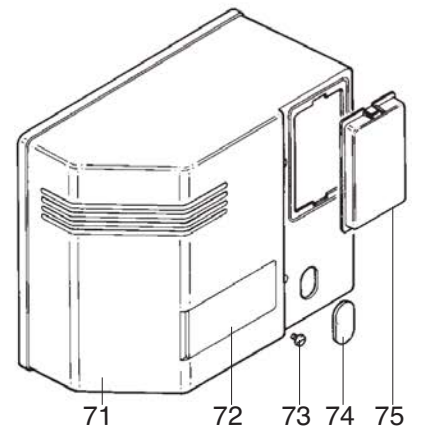
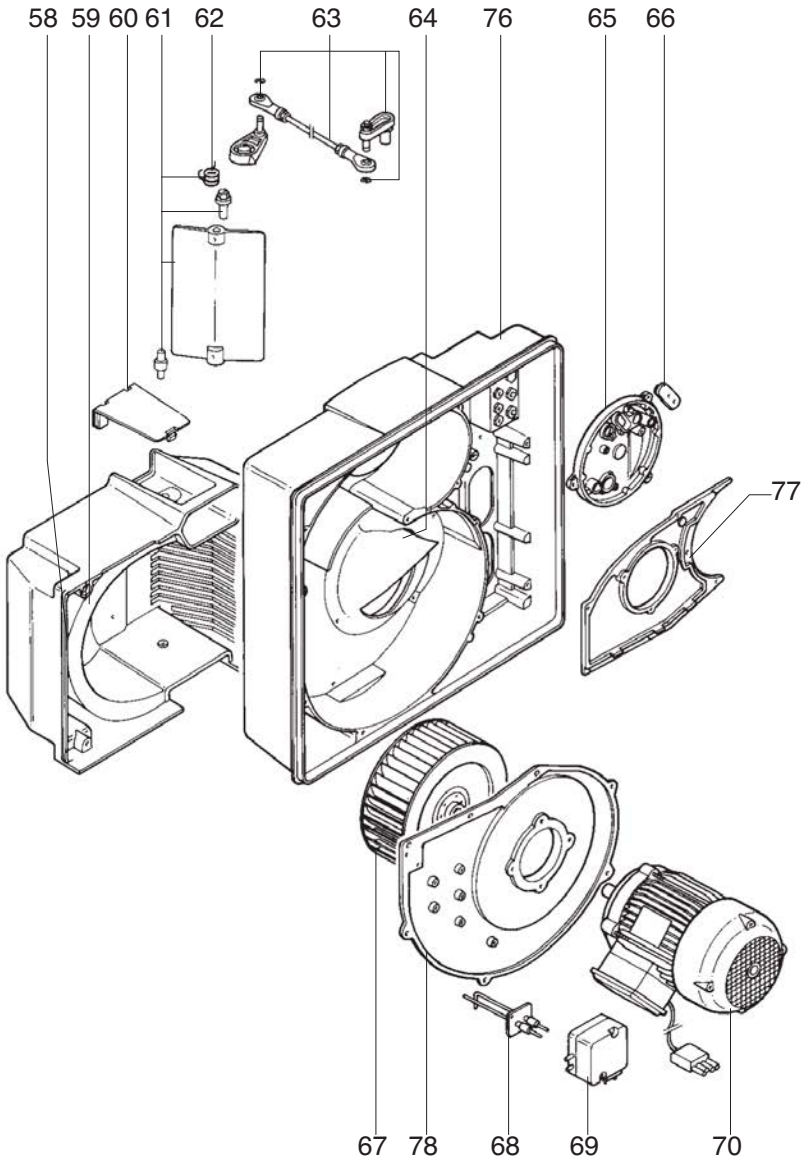
| Col | Reference | Model type | Begin | End |
|-----|-----------|------------|-------|-----|
|-----|-----------|------------|-------|-----|



| ☉→ | Description | Manf. Pt. N | Type | <div style="display: flex; justify-content: space-between; align-items: center;"> <div style="writing-mode: vertical-rl; transform: rotate(180deg); font-size: 8px;"> BB-C70 G807/8 FR IT BR-C100 G507/8 CH G681-T1/KN CH G681-T2/KL CH G681-T3/KM CH G682-T1/KN CH G682-T2/KL GT -835 -1"1/2-R92" GT -831 -1"1/4-R92" GT -833 -3/4" -R91" GV VGG-10 GT-S3X4-65-DN65 </div> <div style="border: 1px solid black; padding: 2px; font-weight: bold; font-size: 12px;">31</div> </div> | | | | | | | | | | | | | | | | | | From | to |
|------|--|-------------|------|--|---|---|---|---|---|---|---|---|----|----|----|----|----|----|----|----|----|------|----|
| | | | | 1 | 2 | 3 | 4 | 5 | 6 | 7 | 8 | 9 | 10 | 11 | 12 | 13 | 14 | 15 | 16 | 17 | 18 | | |
| 0001 | BAFFLE PLATE D125/40 9SL R 6DRIL. | 13009612 | | | | | | ● | ● | ● | | | | | | | | | | | | | |
| | BAFFLE PLATE D130/40 9SL R 6DRIL. | 13009611 | | ● | ● | ● | | | | | | | | | | | | | | | | | |
| 0002 | COMB.HEAD GAS L288 D90 CPL. | 13010064 | | ● | | | ● | | | | | | | | | | | | | | | | |
| | COMB.HEAD GAS L398 D90 CPL. | 13010066 | | | | ● | | | ● | | | | | | | | | | | | | | |
| | COMB.HEAD GAS L508 D90 CPL. | 13010065 | | | ● | | | ● | | | | | | | | | | | | | | | |
| 0003 | FLAME TUBE D170/141/125 L305 TURBU.D128 | 13009616 | | | | | | ● | | | | | | | | | | | | | | | |
| | FLAME TUBE D170/141/125 L415 TURBU.D128 | 13009618 | | | | | | | ● | | | | | | | | | | | | | | |
| | FLAME TUBE D170/141/125 L525 TURBU.D128 | 13009617 | | | | | | | ● | | | | | | | | | | | | | | |
| | FLAME TUBE D170/141/130 L305 TURBU.D133 | 13009613 | | ● | | | | | | | | | | | | | | | | | | | |
| | FLAME TUBE D170/141/130 L415 TURBU.D133 | 13009615 | | | | ● | | | | | | | | | | | | | | | | | |
| | FLAME TUBE D170/141/130 L525 TURBU.D133 | 13009614 | | | ● | | | | | | | | | | | | | | | | | | |
| 0004 | GASKET/BURNER FLANGE 228X220X10 D180 | 13009619 | | ● | ● | ● | ● | ● | ● | | | | | | | | | | | | | | |
| 0005 | SCREWS M6 FIX FLAME TUBE (3 PIECES) | 13007804 | | ● | ● | ● | ● | ● | ● | ● | | | | | | | | | | | | | |
| 0006 | IONI. SENSOR FIX. PLATE | 13010054 | | ● | ● | ● | ● | ● | ● | ● | | | | | | | | | | | | | |
| 0007 | ELECTROD.BLOC.27X55 d6,4 D2X23 45°+SCREW | 13009726 | | ● | ● | ● | ● | ● | ● | ● | | | | | | | | | | | | | |
| 0008 | ELECTRODE SUPPORT | 13009622 | | ● | ● | ● | ● | ● | ● | ● | | | | | | | | | | | | | |
| 0009 | IGNITION CABLE D4/D6,35 L1050 | 13009624 | | | ● | ● | ● | ● | ● | ● | | | | | | | | | | | | | |
| | IGNITION CABLE D4/D6,35 L850 | 13009623 | | ● | | | ● | | | | | | | | | | | | | | | | |
| 0010 | RUBBER CAP/IGNITION CABLE | 13009625 | | ● | ● | ● | ● | ● | ● | ● | | | | | | | | | | | | | |
| 0012 | IONISATION CABLE MC4/D6,35 L1050 | 13009628 | | | ● | ● | | ● | ● | ● | | | | | | | | | | | | | |
| | IONISATION CABLE MC4/D6,35 L750 | 13009627 | | ● | | | | ● | | | | | | | | | | | | | | | |
| 0013 | IONISATION PROBE D8X120 d6,4 D4X36 | 13009626 | | ● | ● | ● | ● | ● | ● | ● | | | | | | | | | | | | | |
| 0015 | SLIDING RING/GAS NOZZLE D21,8 | 65301274 | | ● | ● | ● | ● | ● | ● | ● | | | | | | | | | | | | | |
| 0016 | GAS NOZZLES (X6) | 13010063 | | ● | ● | ● | ● | ● | ● | ● | | | | | | | | | | | | | |
| 0017 | SCREW SET NATURAL GAS | 13010062 | | ● | ● | ● | ● | ● | ● | ● | | | | | | | | | | | | | |
| 0018 | PROPANE ACCESS. KIT | 13007041 | | ● | ● | ● | ● | ● | ● | ● | | | | | | | | | | | | | |
| 0019 | GAS HEAD L119 D90/55 6 TUBES D22 | 13009630 | | ● | ● | ● | ● | ● | ● | ● | | | | | | | | | | | | | |
| 0020 | O-RING D55X4 | 13009631 | | ● | ● | ● | ● | ● | ● | ● | | | | | | | | | | | | | |
| 0021 | GAS BEND LG.173 | 13009632 | | ● | | | ● | | | | | | | | | | | | | | | | |
| | GAS BEND LG.283 | 13009634 | | | | ● | | | ● | | | | | | | | | | | | | | |
| | GAS BEND LG.393 | 13009633 | | | ● | | | | ● | | | | | | | | | | | | | | |
| 0022 | ADJUST ROD D10/8 L344 M10 | 13009635 | | ● | | | | ● | | | | | | | | | | | | | | | |
| | ADJUST ROD D10/8 L454 M10 | 13009637 | | | | ● | | | ● | | | | | | | | | | | | | | |
| | ADJUST ROD D10/8 L664 M10 | 13009636 | | | ● | | | ● | | | | | | | | | | | | | | | |
| 0023 | ADJUSTMENT SPINDLE EXTENSION | 13009638 | | ● | ● | ● | ● | ● | ● | | | | | | | | | | | | | | |



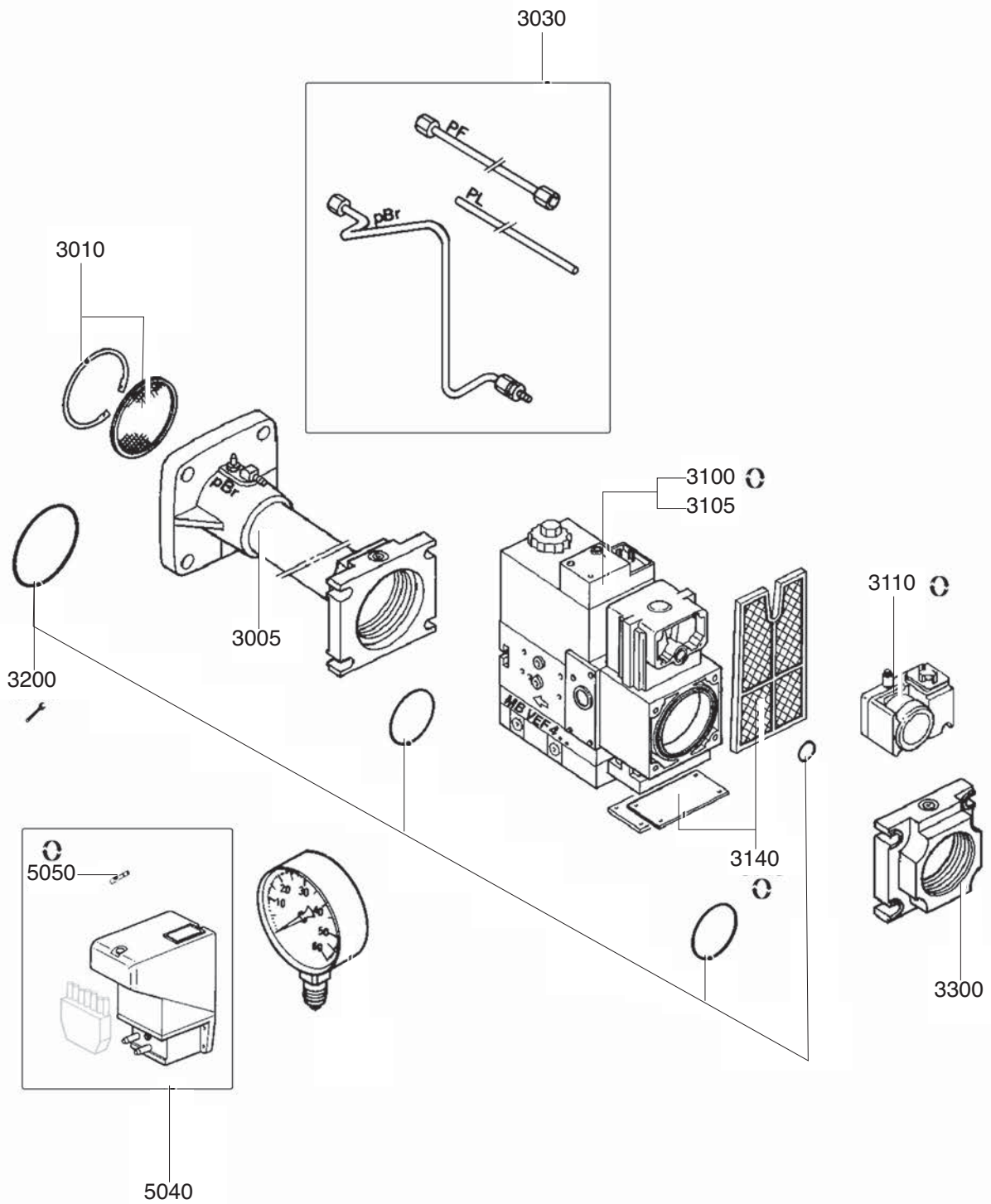
| ☉⇒ | Description | Manf. Pt. N | Type | <div style="display: flex; justify-content: space-between; font-size: small;"> BB-C70-G807/8 FR IT BB-C100-G507/8 CH-G681-T1/KN CH-G681-T2/KN CH-G681-T3/KN CH-G682-T1/KN CH-G682-T2/KN GT-835-T1/12-R92 GT-835-T1/14-R92 GT-835-T3/4-R92 GV VGG-10 GT-S3X4-65-DN65 </div> | | | | | | | | | | | | | | | | | | <div style="border: 1px solid black; padding: 2px; display: inline-block;"> 0-0 31 </div> | |
|------|--|-------------|------|--|---|---|---|---|---|---|---|---|----|----|----|----|----|----|----|----|----|---|----|
| | | | | 1 | 2 | 3 | 4 | 5 | 6 | 7 | 8 | 9 | 10 | 11 | 12 | 13 | 14 | 15 | 16 | 17 | 18 | From | to |
| 0025 | SHUTTER/CONSOLE | 13009661 | | ● | ● | | | | | | | | | | | | | | | | | | |
| 0026 | LOAD CONTR. SUPPORT | 13009662 | | ● | ● | | | | | | | | | | | | | | | | | | |
| 0027 | IGNITION TRANSFO. EBI 2X7,5 230V | 13009663 | | ● | ● | | | | | | | | | | | | | | | | | | |
| 0028 | CABLE IGNIT.TRANSFO+PLUG 2P 2X0,75 L420 | 13009773 | | ● | ● | | | | | | | | | | | | | | | | | | |
| 0029 | CABLE GAS P.SWITCH+P.DIN/3X0,75L2000(X3) | 13009665 | | ● | ● | | | | | | | | | | | | | | | | | | |
| 0030 | CABLE GAS VALVE+P.DIN/3X0,75L2000(X4) | 13009666 | | ● | ● | | | | | | | | | | | | | | | | | | |
| 0031 | WIELAND PLUG 4P.MALE GREEN | 13009667 | | ● | ● | | | | | | | | | | | | | | | | | | |
| 0032 | HOOD/WIELAND PLUG 4P.ST18/4 | 13009668 | | ● | ● | | | | | | | | | | | | | | | | | | |
| 0033 | CABLE+PLUG 4P/3X0,75 L620 | 13009669 | | ● | ● | | | | | | | | | | | | | | | | | | |
| 0034 | WIELAND PLUG 7P. | 13009670 | | ● | ● | | | | | | | | | | | | | | | | | | |
| 0035 | HOOD/WIELAND PLUG 7P | 13009671 | | ● | ● | | | | | | | | | | | | | | | | | | |
| 0036 | CABLE+PLUG 7P/7X0,75 L620 | 13009672 | | ● | ● | | | | | | | | | | | | | | | | | | |
| 0037 | ACTUATOR SQN 31.401 A2760 | 13011761 | | ● | ● | | | | | | | | | | | | | | | | | | |
| 0038 | CABLE SKP PLUG DIN/3X0,75 L2000 "X5" | 13011760 | | ● | ● | | | | | | | | | | | | | | | | | | |
| 0041 | CONTACTOR LC1K0610M7 | 13009675 | | ● | ● | | | | | | | | | | | | | | | | | | |
| 0042 | THERM. RELAY T.LR2K 2.6-3.7 | 13009674 | | ● | ● | | | | | | | | | | | | | | | | | | |
| 0043 | AGM410490550 (LFL BASE) | 13009176 | | ● | ● | | | | | | | | | | | | | | | | | | |
| 0044 | CONTROL UNIT LFL 1.333 | 13011763 | | ● | ● | | | | | | | | | | | | | | | | | | |
| 0045 | CABLE MOTOR+PLUG WIE. 4P 4X1,5 L600 | 13009782 | | ● | ● | | | | | | | | | | | | | | | | | | |
| 0046 | CABLE AIR P.SWITCH+PLUGDIN/3X0,75 L1200 | 13009799 | | ● | ● | | | | | | | | | | | | | | | | | | |
| 0047 | FUSE HOLDER + FUSE 6.3A | 13016457 | | ● | ● | | | | | | | | | | | | | | | | | | |
| 0048 | FUSE 5X20 6.3A | 13016028 | | ● | ● | | | | | | | | | | | | | | | | | | |
| 0049 | IONISATION BRIDGE | 13010019 | | ● | ● | | | | | | | | | | | | | | | | | | |
| 0050 | 3 POS SWITCH | 13009683 | | ● | ● | | | | | | | | | | | | | | | | | | |
| 0051 | SWITCH LIGHT 2 POSITION | 13009787 | | ● | ● | | | | | | | | | | | | | | | | | | |

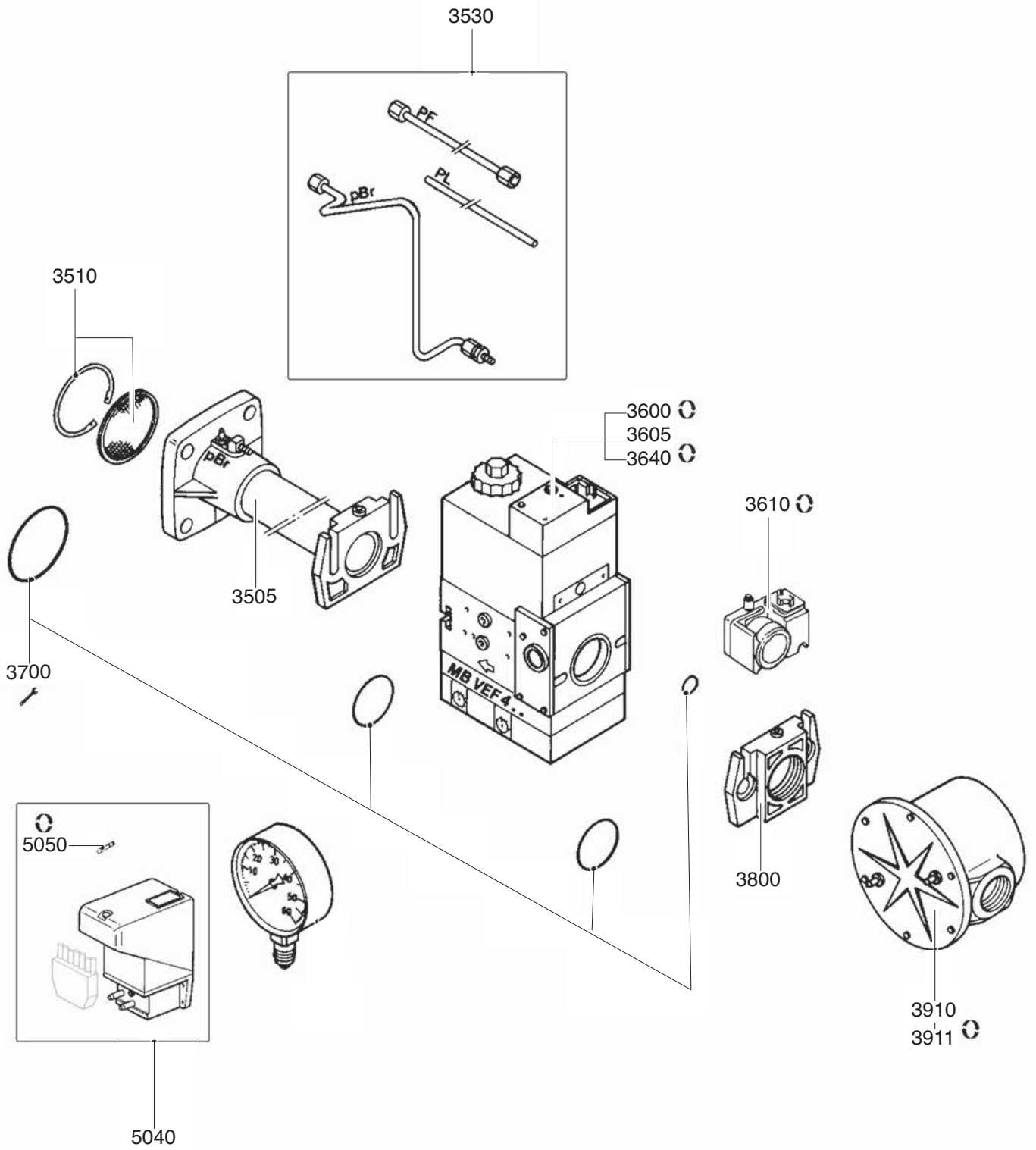


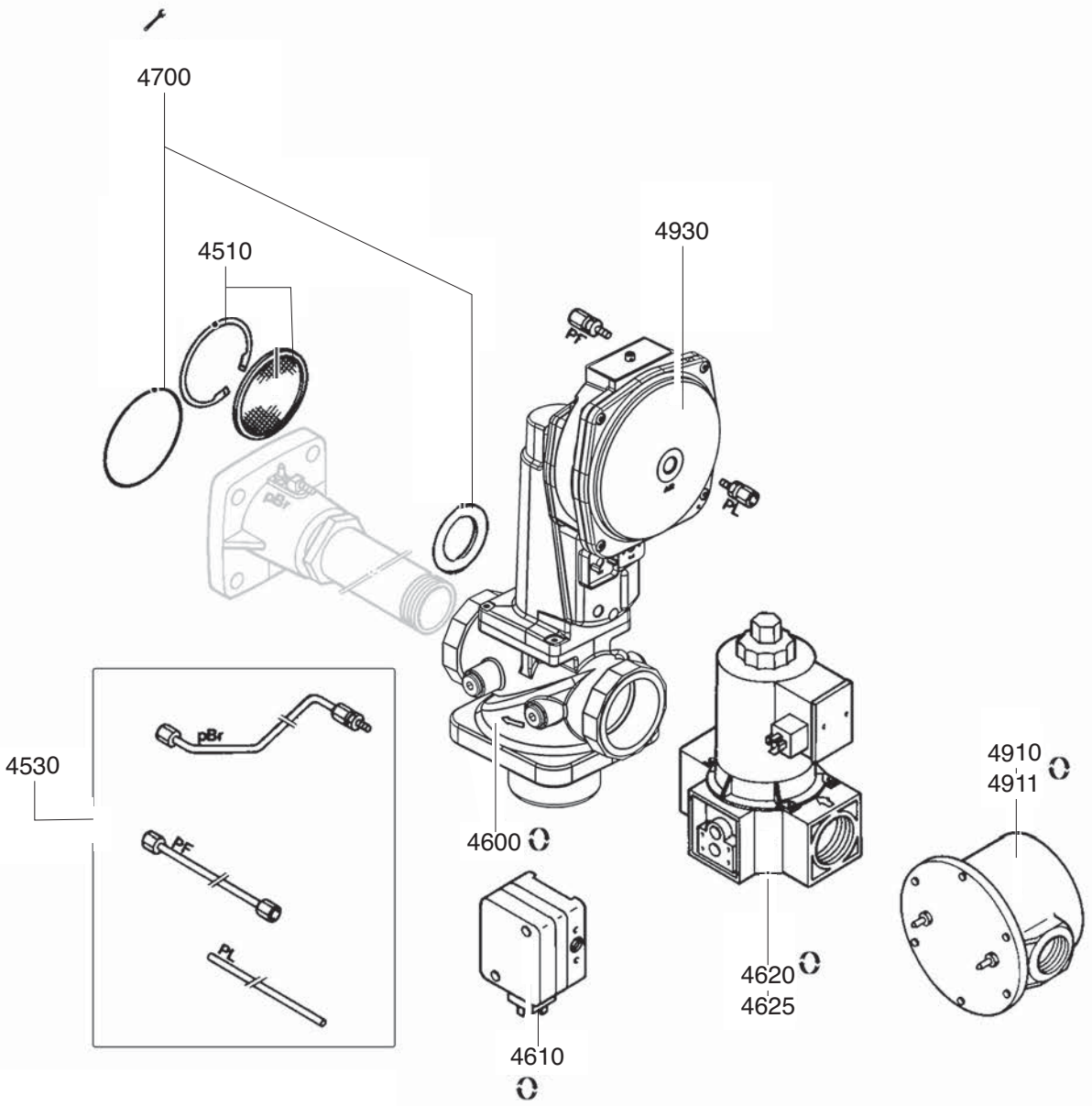
| ☺⇒ | Description | Manf. Pt. N | Type | <div style="border: 1px solid black; padding: 2px;"> <i>BB-C70 GX507/8 FR IT</i> <i>BB-C100 GX507/8</i> <i>CH-G631-T1/KN</i> <i>CH-G631-T2/KL</i> <i>CH-G631-T3/KM</i> <i>CH-G632-T1/KN</i> <i>CH-G632-T2/KL</i> <i>GT-835-T1/2-R92"</i> <i>GT-835-T1/4-R92"</i> <i>GT-835-T3/4-R92"</i> <i>GV VGG-10</i> <i>GT-S34-65-DN65</i> </div> | | | | | | | | | | | | | | | | | | From | to |
|------|--|-------------|------|---|---|---|---|---|---|---|---|---|----|----|----|----|----|----|----|----|----|------|----|
| | | | | 1 | 2 | 3 | 4 | 5 | 6 | 7 | 8 | 9 | 10 | 11 | 12 | 13 | 14 | 15 | 16 | 17 | 18 | | |
| 0058 | GASKET/CASING AIR109X6X7 PROFILED | 13009640 | | • | • | | | | | | | | | | | | | | | | | | |
| 0059 | AIR BOX INSULATION | 13009641 | | • | • | | | | | | | | | | | | | | | | | | |
| 0060 | AIR BOX COVER | 13009642 | | • | • | | | | | | | | | | | | | | | | | | |
| 0061 | AIR FLAP WITH FITTINGS | 13014117 | | • | • | | | | | | | | | | | | | | | | | | |
| 0062 | AIR FLAP SPRING GREY | 13011751 | | • | • | | | | | | | | | | | | | | | | | | |
| 0063 | AIR FLAP COUPLING/SQN-SQM EQ.L247 | 13011564 | | • | • | | | | | | | | | | | | | | | | | | |
| 0064 | AIR RECIRCULATION (BLACK) | 13009645 | | • | | | | | | | | | | | | | | | | | | | |
| | AIR RECIRCULATION (WHITE) | 13009646 | | | • | | | | | | | | | | | | | | | | | | |
| 0065 | GAS COVER | 13009647 | | • | • | | | | | | | | | | | | | | | | | | |
| 0066 | CABLE GROMMET | 13009648 | | • | • | | | | | | | | | | | | | | | | | | |
| 0067 | FAN WHEEL D240X82 D19 | 13009649 | | • | • | | | | | | | | | | | | | | | | | | |
| 0068 | AIR PRES. TAP NOZZLE BLACK | 13009650 | | • | | | | | | | | | | | | | | | | | | | |
| | DIFFERENTIAL PRESS. TAP (WHITE) | 13009651 | | | • | | | | | | | | | | | | | | | | | | |
| 0069 | AIR PRESS. SWITCH LGW 10 A2 1-10MB DIN | 13009652 | | • | • | | | | | | | | | | | | | | | | | | |
| 0070 | MOTOR 1.1KW 230/400V D19 + PLUG | 13009653 | | • | | | | | | | | | | | | | | | | | | | |
| | MOTOR 1.5KW 230/400V D19 + PLUG | 13009654 | | | • | | | | | | | | | | | | | | | | | | |
| 0071 | COVER C70...210 | 13015646 | | • | • | | | | | | | | | | | | | | | | | | |
| 0072 | PRINTED FRONT COVER C 70 | 13016415 | | • | | | | | | | | | | | | | | | | | | | |
| | PRINTED FRONT PLATE C 100 | 13016419 | | | • | | | | | | | | | | | | | | | | | | |
| 0073 | SCREW FIXING COVER D16 M5X15 | 13009657 | | • | • | | | | | | | | | | | | | | | | | | |
| 0074 | SHUTTER/HOOD (LFL.)/RESET | 13009658 | | • | • | | | | | | | | | | | | | | | | | | |
| 0075 | HOOD COVER | 13009659 | | • | • | | | | | | | | | | | | | | | | | | |
| 0076 | HOUSING VECTRON 5- NC95/NC120 | 65326271 | | • | • | | | | | | | | | | | | | | | | | | |
| 0077 | MOTOPUMP PLATE 275X200 D115 | 65301276 | | • | • | | | | | | | | | | | | | | | | | | |
| 0078 | PLATE MOTOR/AIR FAN | 13018809 | | • | • | | | | | | | | | | | | | | | | | | |

C70, C100 GX507/8

Gas burners







BB-C70 GX507/8 FR IT
 BR-C100 GX507/8
 CH-G681-T1/KN
 CH-G681-T2/KL
 CH-G681-T3/KM
 CH-G682-T1/KN
 CH-G682-T2/KL
 GT-835-T1/1/2-Rp2"
 GT-835-T1/4-Rp2"
 GT-835-T3/4-Rp1"
 GT-835-T3/4-Rp2"
 GV VGG-10
 GT-S34-65-DN65

0-0
 31
 From to

| Description | Manf. Pt. N | Type | <div style="display: flex; justify-content: space-between;"> BB-C70 GX507/8 FR IT BR-C100 GX507/8 CH-G681-T1/KN CH-G681-T2/KL CH-G681-T3/KM CH-G682-T1/KN CH-G682-T2/KL GT-835-T1/1/2-Rp2" GT-835-T1/4-Rp2" GT-835-T3/4-Rp1" GT-835-T3/4-Rp2" GV VGG-10 GT-S34-65-DN65 </div> | | | | | | | | | | | | | | | | | |
|--|-------------|------|--|---|---|---|---|---|---|---|---|----|----|----|----|----|----|----|----|----|
| | | | 1 | 2 | 3 | 4 | 5 | 6 | 7 | 8 | 9 | 10 | 11 | 12 | 13 | 14 | 15 | 16 | 17 | 18 |
| 4500 GAS VALVE | | | | | | | | | | | | | | | | | | | | |
| 4510 STABILISER + CIRCLIP D.60 | 13011367 | | | | | | | | | | | | | ● | ● | ● | | | | |
| 4530 TUBES PL+PF L+R SKP75 DN65 | 13021385 | | | | | | | | | | | | | | | | | | ● | |
| TUBES PL+PF L+R SKP75 RP2 | 13021384 | | | | | | | | | | | | | ● | ● | | | | | |
| 4600 GAS VALVE VGF10 654P DN65 | 13011735 | | | | | | | | | | | | | | | | | | ● | |
| GAS VALVE VGG10 404P RP1"1/2 | 13016751 | | | | | | | | | | | | | ● | | | | | | |
| GAS VALVE VGG10 504P RP2" | 13011734 | | | | | | | | | | | | | | ● | | | | | |
| 4610 GAS PRESS.SWITCH GW 50 A6 5-50MB DIN | 65312399 | | | | | | | | | | | | | ● | ● | ● | | | | |
| 4620 GAS VALVE MVD-215/5 RP1-1/2 | 65327145 | | | | | | | | | | | | | ● | | | | | | |
| GAS VALVE MVD-220/5 2 | 65327146 | | | | | | | | | | | | | | ● | | | | | |
| GAS VALVE MVD2065/5 DN65 | 13011738 | | | | | | | | | | | | | | | | | | ● | |
| 4625 DUN COIL No. 400 MVD2065 | 13011750 | | | | | | | | | | | | | | | | | | ● | |
| 4700 O-RING D70X3 | 13018810 | | | | | | | | | | | | | ● | ● | | | | | |
| O-RING KIT D70X3+ D115/77(2)/MBC1900/VGD | 13013781 | | | | | | | | | | | | | | | | | | ● | |
| 4911 STRAINER DN65 /ANELLO | 13009704 | | | | | | | | | | | | | | | | | | ● | |
| STRAINER GF 520+O-RING | 13010044 | | | | | | | | | | | | | ● | ● | | | | | |
| 4930 GAS SERVOM. SKP75.003E2 W/O LIMIT SW. | 13020950 | | | | | | | | | | | | | ● | ● | ● | | | | |

C70, C100 GX507/8

Gas burners

