

SPARE PARTS EXPLODED VIEW GAS BURNERS

Model

CB-NC4-6-9-10 GX1A(/TC)

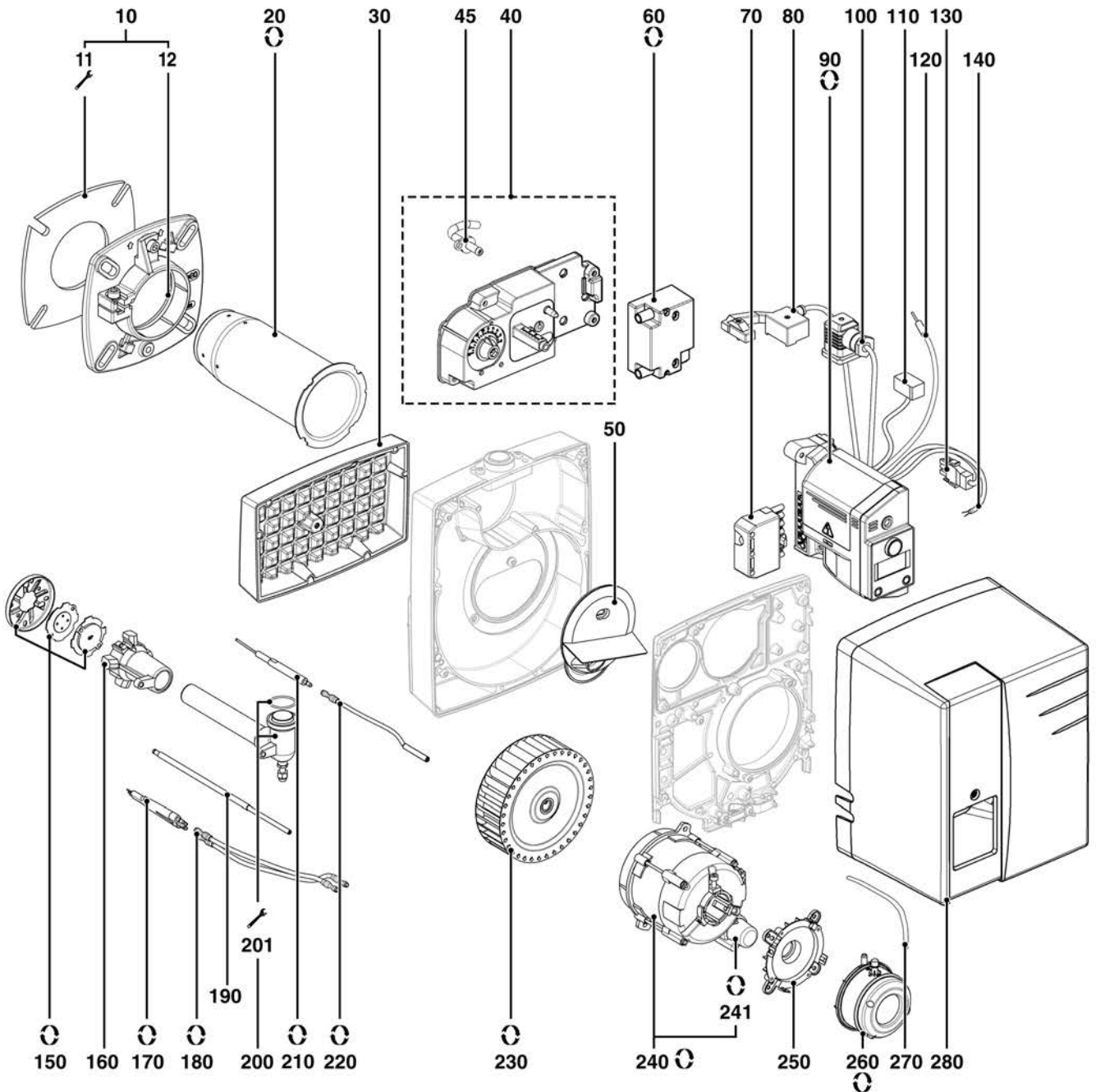
R8220011-04 - 02/07/2018

CB-NC4-6-9-10 GX1A(/TC)

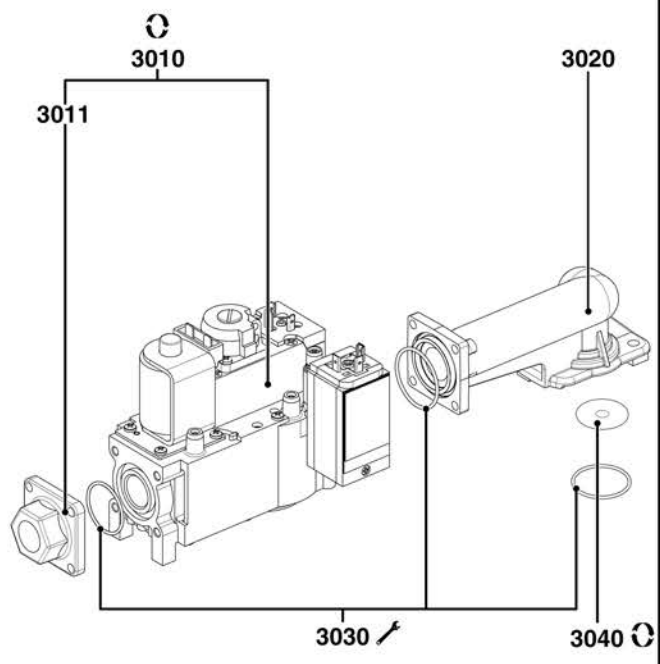
Gas burners

| | | | | |
|---|---------|--|---------|---|
| 1 | 3835883 | CB-NC4 GX107/8A H3/8"-RP1/2" | 01-2017 | - |
| 2 | 3832023 | CB-NC4 GX107/8A P20 50 H3/8 -RP1/2 TC | 09-2008 | - |
| 3 | 3835884 | CB-NC6 GX107/8A H3/8"-RP1/2" | 01-2017 | - |
| 4 | 3832027 | CB-NC6 GX107/8A P20 H3/8 -RP1/2 TC | 09-2008 | - |
| 5 | 3835888 | CB-NC9 GX107/8A D3/4"-RP3/4" | 01-2017 | - |
| 6 | 3832076 | CB-NC9 GX107/8A P20-300 D3/4 -RP3/4 TC | 10-2008 | - |
| 7 | 3835880 | CB-NC10 GX107/8A D3/4"-RP3/4" | 11-2016 | - |

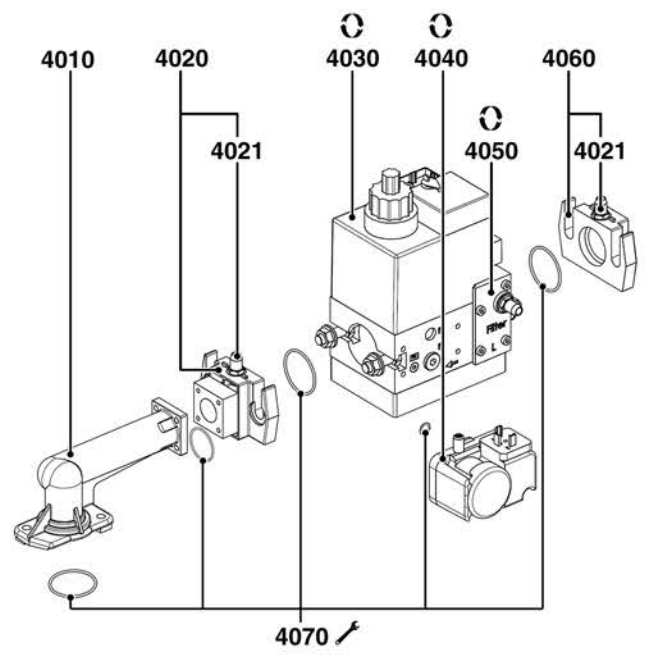
| Col | Reference | Model type | Begin | End |
|-----|-----------|------------|-------|-----|
|-----|-----------|------------|-------|-----|



3000



4000



| Description | Manf. Pt. N | Type | <div style="display: flex; justify-content: space-between; font-size: 8px; font-weight: bold;"> CB-NC4 GX107/8A F08-RP1/2 CB-NC6 GX107/8A F08-RP1/2 TC CB-NC8 GX107/8A F08-RP1/2 CB-NC9 GX107/8A F08-RP1/2 TC CB-NC10 GX107/8A F08-RP1/2 CB-NC4 GX107/8A D304-RP3/4 CB-NC6 GX107/8A D304-RP3/4 TC CB-NC8 GX107/8A D304-RP3/4 CB-NC9 GX107/8A D304-RP3/4 TC CB-NC10 GX107/8A D304-RP3/4 </div> | | | | | | | | | | | | | | | | | | 31 | |
|-------------|--|----------|---|---|---|---|---|---|---|---|---|----|----|----|----|----|----|----|----|----|---------------|----|
| | | | 1 | 2 | 3 | 4 | 5 | 6 | 7 | 8 | 9 | 10 | 11 | 12 | 13 | 14 | 15 | 16 | 17 | 18 | From | to |
| 0010 | BOILER ACCESSORY D80 EUROFLANGE | 13022754 | | • | • | • | • | | | | | | | | | | | | | | | |
| | BOILER ACCESSORY D90 EUROFLANGE | 13018849 | | | | | | | | | | | | | | | | | | | | |
| 0011 | GASKET/BURNER FLANGE 156X156X5 D90 | 13010502 | | | | | | | • | • | • | | | | | | | | | | | |
| | GASKET/BURNER FLANGE 156X156X6 D80 | 13010501 | | • | • | • | • | | | | | | | | | | | | | | | |
| 0012 | GASKET/BRAID D80X5X5-267 | 13011148 | | • | • | • | • | | | | | | | | | | | | | | | |
| | GASKET/BRAID D90X5X5-298 | 13011149 | | | | | | | • | • | • | | | | | | | | | | | |
| 0020 | FLAME TUBE D80/65/58 L193 | 13007732 | | • | • | • | • | | | | | | | | | | | | | | | |
| | FLAME TUBE D90/75/68 L193 | 13007733 | | | | | | | • | • | • | | | | | | | | | | | |
| 0030 | AIR BOX 218X134+ INSULATION | 65300231 | | • | • | • | • | | | | | | | | | | | | | | | |
| | AIR BOX 218X135X45 | 13018434 | | | | | | | • | • | • | | | | | | | | | | | |
| 0040 | BOX ADJUST FLAP ASS. /GAS | 13010473 | | • | • | • | • | • | • | • | | | | | | | | | | | | |
| | BOX ADJUST FLAP D61-30X10 /GAS | 65326750 | | | | | | | | | | | | | | | | | | | | |
| 0045 | AIR TEST NIPPLE | 13008244 | | • | • | • | • | • | • | • | | | | | | | | | | | | |
| 0050 | AIR RECYCLING D103/35 100X95 L39 108° | 13010512 | | | | • | • | | | | | | | | | | | | | | | |
| | AIR RECYCLING D103/35 SPO.80X68 L39 108° | 13010511 | | • | • | | | | | | | | | | | | | | | | | |
| | AIR RECYCLING D103/45 SPO.100X97 L55 65° | 13010513 | | | | | | | • | • | • | | | | | | | | | | | |
| 0060 | IGNITION TRANSFO. EBI 2X7,5 230V | 13009663 | 2P | • | • | • | • | • | • | • | | | | | | | | | | | | |
| 0070 | WIELAND PLUG 7P SILK-SCREEN PRINTED | 13010523 | | • | • | • | • | • | • | • | | | | | | | | | | | | |
| 0080 | CABLE GAS VALVE+PLUG DIN/RAST 4P L1500 | 13011101 | | | | | | | • | • | • | | | | | | | | | | | |
| | CABLE GASVALVE+PLUG HON 3+2/RAST4P L1000 | 65300234 | | • | • | • | • | | | | | | | | | | | | | | | |
| 0090 | CONTROL UNIT TCG 141.00 | 65300226 | | | • | | • | | • | | | | | | | | | | | | | |
| | CONTROL UNIT TCG 141.02 NO TC | 65300838 | | • | | • | | • | | • | | | | | | | | | | | | |
| 0100 | CABLE GAS P.SWITCH+PLUG DIN/RAST2P L1000 | 65300235 | | • | • | • | • | | | | | | | | | | | | | | | |
| | CABLE GAS P.SWITCH+PLUG DIN/RAST2P L1500 | 13023698 | | | | | | | • | • | • | | | | | | | | | | | |
| 0110 | CABLE IGNIT.TRANSFO+PLUG 3P/RAST 2P L250 | 13010535 | | • | • | • | • | • | • | • | | | | | | | | | | | | |
| 0120 | IONISATION CABLE D4 BAN/RAST1P L230 | 13015185 | | • | • | • | • | • | • | • | | | | | | | | | | | | |
| 0130 | CABLE MOTOR+PLUG 3P/RAST3P L300 | 13010519 | | • | • | • | • | • | • | • | | | | | | | | | | | | |
| 0140 | CABLE AIR PRES.SWITCH+RAST2P/2X0,75 L450 | 13011100 | | • | • | • | • | • | • | • | | | | | | | | | | | | |
| 0150 | SET BAFFLE PLATE D64,5 + NOZZLE D45 +CAP | 13007726 | | • | • | • | • | | | | | | | | | | | | | | | |
| | SET BAFFLE PLATE D74 + NOZZLE D59 + CAP | 13007727 | | | | | | | • | • | • | | | | | | | | | | | |
| 0160 | GAS HEAD L67 D62/20 | 65300237 | | • | • | • | • | | | | | | | | | | | | | | | |
| | GAS HEAD L67 D72/22 +O-RING 4 BRANCH. | 13010532 | | | | | | | • | • | • | | | | | | | | | | | |
| 0170 | ELECTRODE BLOCK 12X46 D4 D1,2X10 | 65300738 | 2P | • | • | • | • | • | • | • | | | | | | | | | | | | |
| 0180 | IGNITION CABLE D4/D4 L353X2 | 65300240 | 2P | • | • | • | • | • | • | • | | | | | | | | | | | | |
| | IGNITION CABLE D4/D4 L380 | 65300077 | 2P | | | | | | | | | | | | | | | | | • | | |
| 0190 | ADJUST ROD D4,8 L233 M6/M5+NUT M5X0,8 | 13010526 | | • | • | • | • | | | | | | | | | | | | | | | |
| | ADJUST ROD D4,8 L255 M6/M5+NUT M5X0,8 | 13010527 | | | | | | | | • | • | • | | | | | | | | | | |
| 0200 | GAS ELBOW+TUBE LG.154 | 13020042 | | | | | | | • | • | • | | | | | | | | | | | |
| | GAS ELBOW+TUBE LG.160 | 13010533 | | • | • | • | • | | | | | | | | | | | | | | | |
| 0201 | O-RING D24X3 | 13010534 | | • | • | • | • | • | • | • | | | | | | | | | | | | |
| 0210 | IONISATION PROBE D8X80 D4 D2X27 80° F+S | 13010529 | | • | • | • | • | • | • | • | | | | | | | | | | | | |
| 0220 | IONISATION CABLE MC4/D4 L500 | 13014989 | | • | • | • | • | • | • | • | | | | | | | | | | | | |
| 0230 | FAN WHEEL D133X42 D10 | 13010101 | | • | • | • | • | | | | | | | | | | | | | | | |
| | FAN WHEEL D133X62 D10 | 13010517 | | | | | | | • | • | • | | | | | | | | | | | |
| 0240 | MOTOR 0,085KW 230V D10 | 13010518 | | • | • | • | • | • | • | • | | | | | | | | | | | | |
| 0241 | CAPACITOR 3µF 4P 6,4MM | 13010520 | ACC | | • | • | • | | • | | | | | | | | | | | | | |
| | CAPACITOR 4µF 2P 3mm | 13011117 | EBR | • | • | • | • | • | • | • | | | | | | | | | | | | |
| | CAPACITOR 4µF PLASTIC | 65321851 | SIMEL | • | | • | | • | | • | | | | | | | | | | | | |
| 0250 | AIR PRESSURE SWITCH BASE D32 | 13020723 | | • | • | • | • | • | • | • | | | | | | | | | | | | |
| 0260 | AIR PRESS.SWITCH 604.92 1-10MB+RAST | 13020722 | | • | • | • | • | • | • | • | | | | | | | | | | | | |
| 0270 | HOSE D4/7 L500 SILICONE | 13015497 | | • | • | • | • | • | • | • | | | | | | | | | | | | |
| 0280 | COVER NC4, NC6, NC9, NC10A | 65300029 | | • | • | • | • | • | • | • | | | | | | | | | | | | |
| 3000 | GAS TRAIN | | | | | | | | | | | | | | | | | | | | | |
| 3010 | GAS VALVE VR4625 AA RP1/2" | 65300243 | | | • | | • | | | | | | | | | | | | | | | |
| | GAS VALVE VR4625AA RP1/2 NO TC | 65326915 | | • | | • | | | | | | | | | | | | | | | | |
| 3011 | FLANGE VALVE VR4625AA RP1/2+SCREWS | 65300244 | | • | • | • | • | | | | | | | | | | | | | | | |
| 3020 | CONNEX.TUBE/FLANGE L115 VG1/NC4/6/9/10GX | 65300246 | | • | • | • | • | | | | | | | | | | | | | | | |
| 3030 | O-RING KIT D24X3+D36X3+D33X2,6/VR 4625 | 65300247 | | • | • | • | • | | | | | | | | | | | | | | | |
| 3040 | ORIF.RESTRICT.PIECE(VG1.40/55-NC4/6GX1A) | 65300248 | | • | • | • | • | | | | | | | | | | | | | | | |
| 4000 | GAS TRAIN | | | | | | | | | | | | | | | | | | | | | |
| 4010 | CONNEX.TUBE/FLANGE L115 VG1/NC4/6/9/10GX | 65300246 | | | | | | | • | • | • | | | | | | | | | | | |
| 4020 | FLANGE MB407 RP1/2+ADAPTER GAS TUBE | 65300249 | | | | | | | • | • | • | | | | | | | | | | | |
| 4021 | PRESSURE TAP R1/8 | 13009722 | | | | | | | • | • | • | | | | | | | | | | | |
| 4030 | GAS VALVE MB-DLE407 B01 S20 RP3/4 | 13012424 | | | | | | | • | | • | | | | | | | | | | | |
| | GAS VALVE MBDLE407 B01 S22 RP3/4" | 13023734 | | | | | | | | • | | | | | | | | | | | | |
| 4040 | GAS PRESS.SWITCH GW 10 A5/1 1-10MB DIN | 13023736 | | | | | | | • | • | | | | | | | | | | | | |
| | GAS PRESS.SWITCH GW 150 A5 5-150MB | 13010078 | | | | | | | | | • | | | | | | | | | | | |
| 4050 | STRAINER MB..405-407 | 13016011 | | | | | | | • | • | • | | | | | | | | | | | |
| 4060 | FLANGE MB405/407 RP3/4 +O-RING | 13010074 | | | | | | | • | • | • | | | | | | | | | | | |
| 4070 | O-RING KIT D24X3+D11X2+D33X2,6/MB..407 | 65300251 | | | | | | | • | • | • | | | | | | | | | | | |

