



## SPARE PARTS EXPLODED VIEW GAS BURNERS

Model

**CB-NC95-120-G5A**

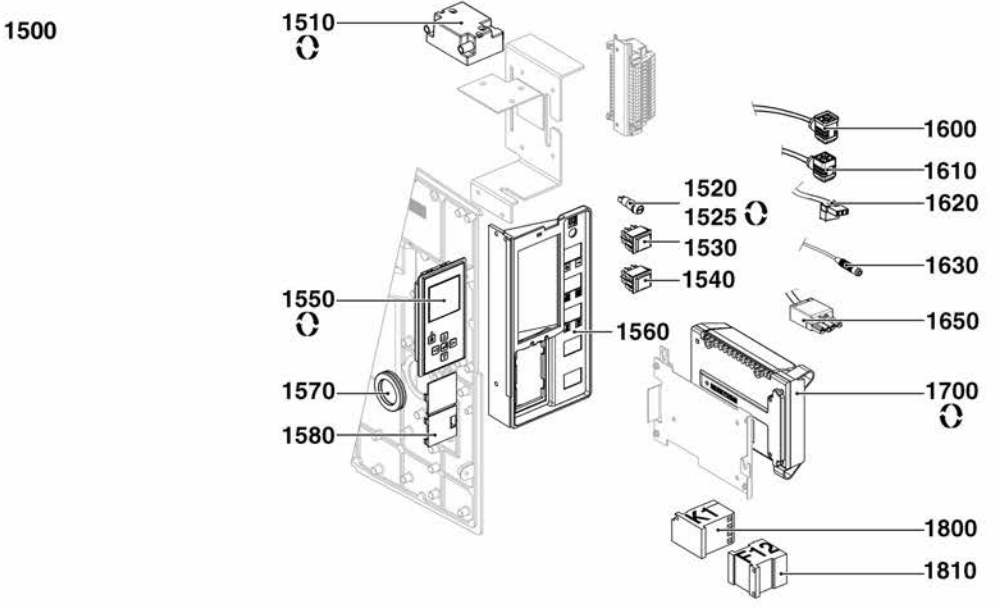
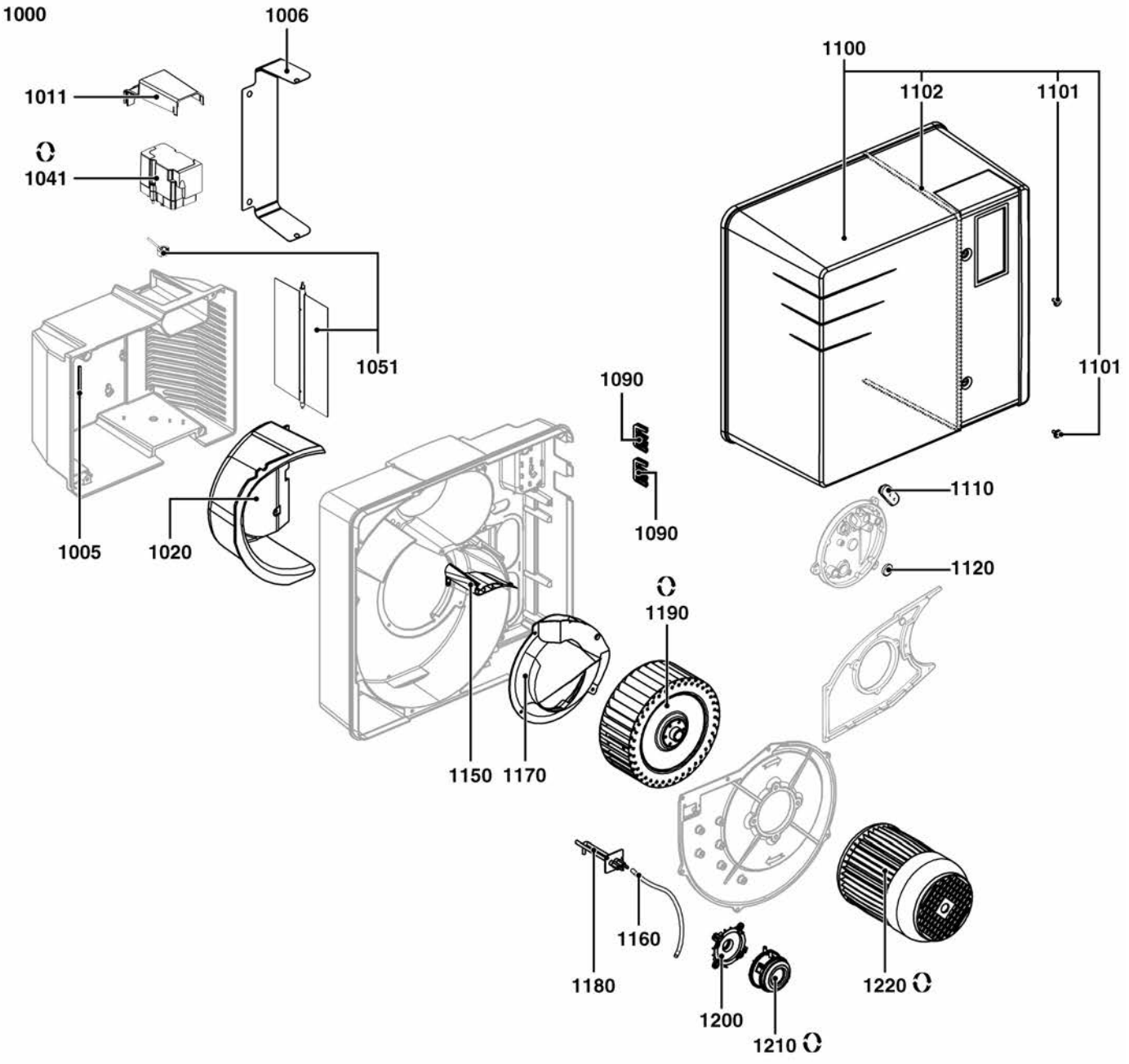
R8220162-01 - 28/01/2016

CB-NC95-120-G5A

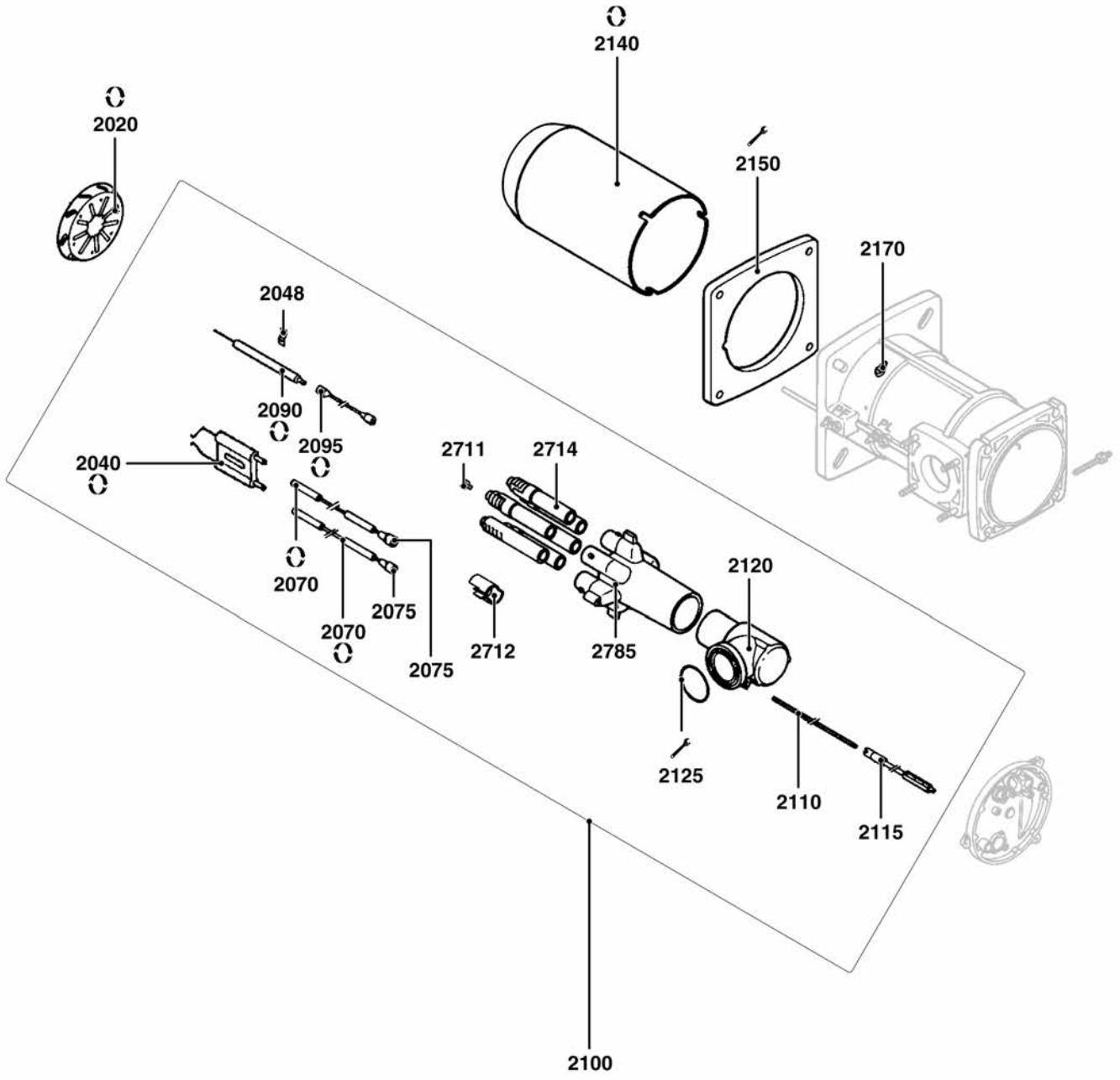
Gas burners

1	3834736	BB-NC95 G507/8A	01-2016	-
2	3834737	BB-NC120 G507/8A	01-2016	-
3	3835823	CH-G0633 - T1/KN	01-2016	-
4	3835824	CH-G0633 - T2/KL	01-2016	-
5	3835825	CH-G0633 - T3/KM	01-2016	-
6	3835826	CH-G0634 - T1/KN	01-2016	-
7	3835827	CH-G0634 - T2/KL	01-2016	-
8	3835828	CH-G0634 - T3/KM	01-2016	-
9	3832064	GT-d311 - 3/4" - Rp1"	06-2010	-
10	3833474	GT-d331 - 1"1/4-Rp2"	01-2011	-
11	3833192	GT-d327 - 1"1/2-Rp2"	02-2011	-
12	3833482	GT-s313 - 2"-Rp2"	07-2012	-
13	3833483	GT-s314 - 65-DN65	07-2012	-

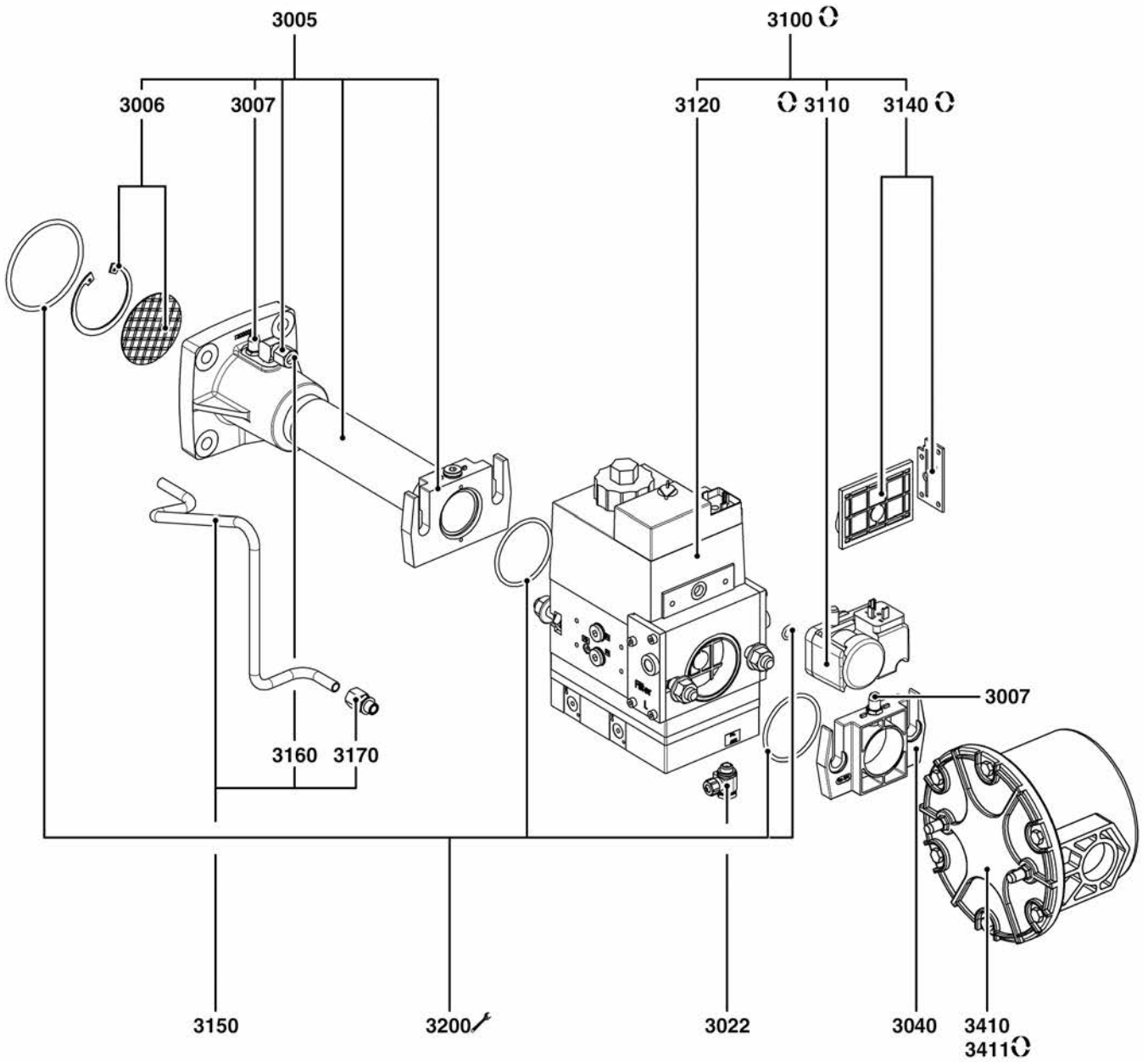
Col	Reference	Model type	Begin	End
-----	-----------	------------	-------	-----



☉⇒	Description	Manf. Pt. N	Type																			From	to
				1	2	3	4	5	6	7	8	9	10	11	12	13	14	15	16	17	18		
	<b>1000 BURNER BODY</b>																						
	1005 AIR BOX GASKET	13009640		●	●																		
	1006 AIR GUIDING PIECE	65326224		●	●																		
	1011 ACTUATOR COVER	65326223		●	●																		
	1020 AIR BOX INSULATION	13009641		●	●																		
	1041 ACTUATOR STE 4,5 B0.37/6-L	65326229		●	●																		
	1051 AIR FLAP CPL.	65326225		●	●																		
	1090 GROMMET/HOUSING	13016845		●	●																		
	1100 COVER NC95...210	65300990		●	●																		
	1101 FLAT HEAD SCREW M5X15	65300519		●	●																		
	1102 GASKET STRIP/COVER	13009772		●	●																		
	1110 CABLE GROMMET	13009648		●	●																		
	1120 INDICATOR LIGHT	13020327		●	●																		
	1150 AIR RECYCLING	65301017		●	●																		
	1160 HOSE D.4/7 LG. 500 MM	13015497		●	●																		
	1170 AIR RECIRCULATION (BLACK)	13009645		●	●																		
	1180 DIFFERENTIAL PRESS. TAP (WHITE)	13009651		●	●																		
	1190 FAN WHEEL D240X82 d19	13009649		●	●																		
	1200 AIR PRESSURE SWITCH BASE D32	13020723		●	●																		
	1210 AIR PRESSURE SWITCH 604 1-10MBAR	65300991		●																			
	AIR PRESSURE SWITCH HUBA 604 5-20MBAR	65301048			●																		
	1220 MOTOR 1.5KW 230/400V D19 + PLUG	13009654		●	●																		
	<b>1500 ELECTRIC PART</b>																						
	1510 IGNITION TRANSFORMER EBI 2X7.5 230V	13009663		●	●																		
	1520 FUSE HOLDER + FUSE 6.3A	13016457		●	●																		
	1525 FUSE 5X20 6.3A	13016028		●	●																		
	1530 OPERATING SWITCH ON/OFF	13010007		●	●																		
	1540 OPERATING SWITCH - OPERATION	13014009		●	●																		
	1550 DISPLAY FOR CONTROL UNIT TCG-TCH REL.2.2	65301109		●	●																		
	1560 PLASTIC CONTROL BOARD	65300992		●	●																		
	1570 CABLE GROMMET D54/D47/D36	65300993		●	●																		
	1580 SHUTTER/CONSOLE	13009661		●	●																		
	1600 CABLE + CONNECT. / GAS PRESSURE SWITCH	65301019		●	●																		
	1610 CABLE + CONNECT. / GAS VALVE	65301020		●	●																		
	1620 CABLE / IGNITER	65300997		●	●																		
	1630 IONISATION CABLE+CONNECT.	65300158		●	●																		
	1650 CABLE L560+PLUG 4P/MOTOR	65301000		●	●																		
	1700 CONTROL UNIT TCG 511.00	65301021		●	●																		
	1800 CONTACTOR	13009778		●	●																		
	1810 RELAY MOTOR PROT.	13020693		●	●																		

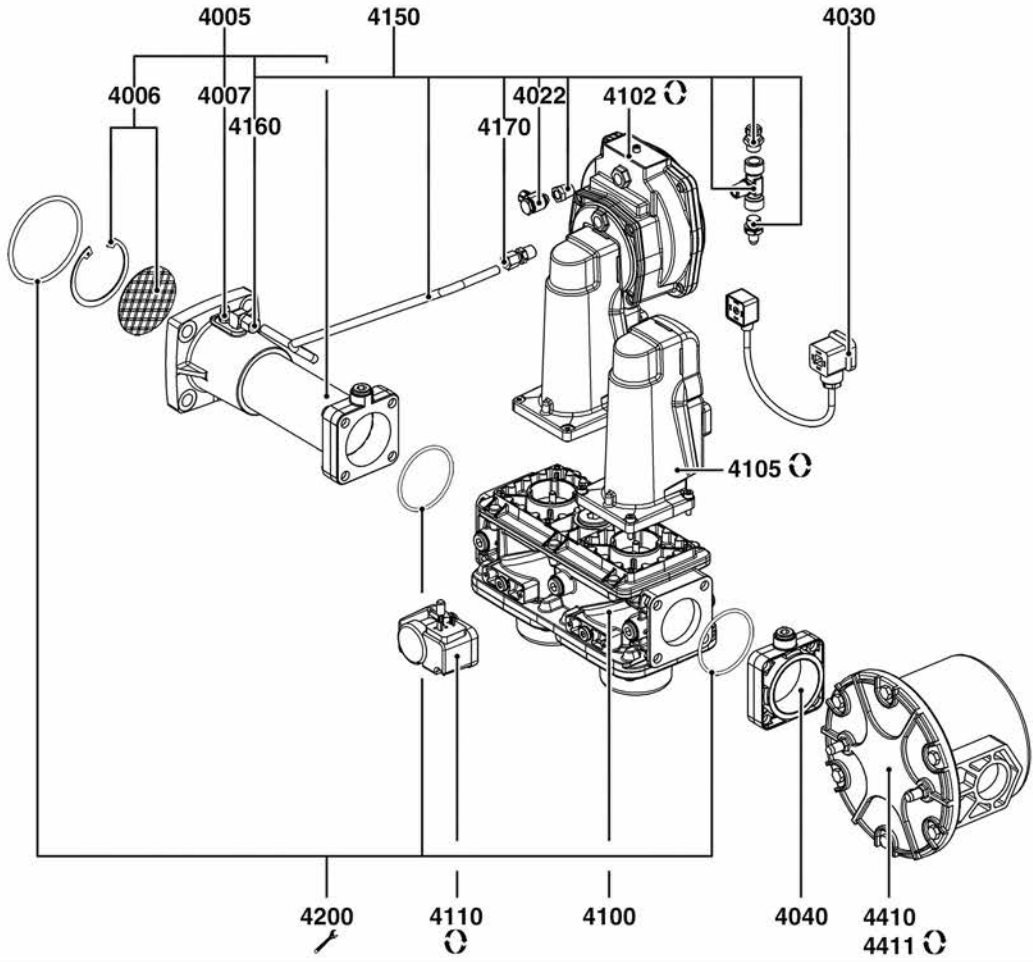








4000



4500

