

SPARE PARTS EXPLODED VIEW OIL BURNER

Model

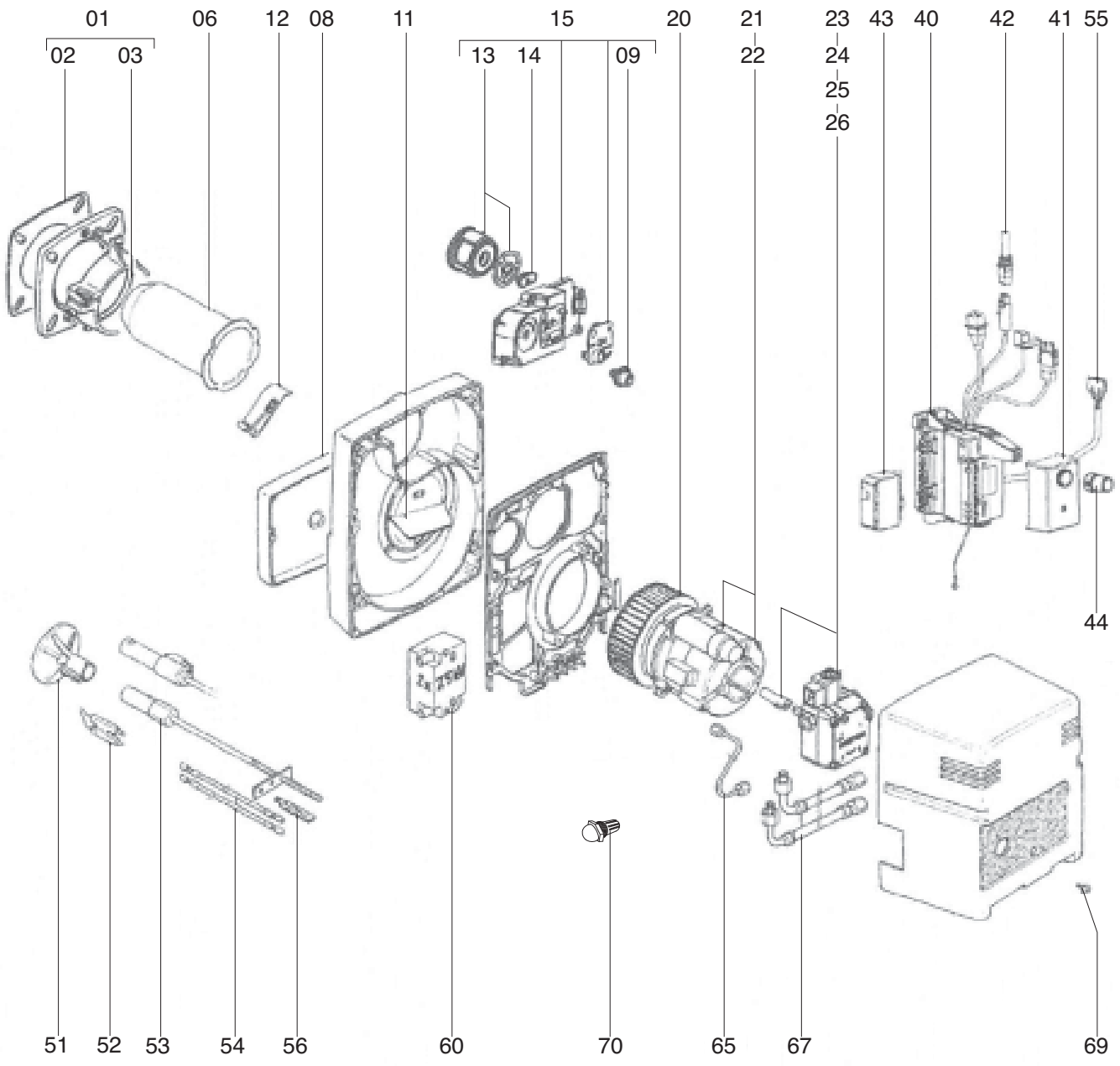
NC4/6/9 H/R101, FC6/9 H101

R8220197-01 - 23/11/2016

NC4/6/9 H/R101, FC6/9 H101

Oil burner

1	13009037	NC4 H101 0,75	05-2002	06-2008
1	13009330	NC4 H101 0,60	05-2002	06-2008
2	13009331	NC6 H101	05-2002	06-2008
2	13011652	FC6 H101	02-2003	02-2007
3	13009305	NC9 H101	05-2002	06-2008
3	13011654	FC9 H101	05-2002	09-2008
4	13009332	NC4 R101	05-2002	09-2008
5	13012303	NC6 R101	05-2002	09-2008
Col	Reference	Model type	Begin	End



☉⇒	Description	Manf. Pt. N	Type	<div style="display: flex; justify-content: space-between; align-items: center;"> <div style="transform: rotate(-45deg); font-size: 8px; white-space: nowrap;"> CB-NC4 H101 0.75A/B, GPH CB-NC6 H101 1.00GPH-FC6 CB-NC9 H101 1.50GPH-FC9 CB-NC4 R101 0.80GPH CB-NC6 R101 1.00GPH </div> <div style="border: 1px solid black; padding: 2px; font-size: 10px;"> 31 </div> </div>																		From	to
				1	2	3	4	5	6	7	8	9	10	11	12	13	14	15	16	17	18		
0001	BOILER ACCESSORY D80 EUROFLANGE	13022754		•	•		•	•															
	BOILER ACCESSORY D90 EUROFLANGE	13018849				•																	
0002	GASKET/BURNER FLANGE 156X156X5 D90	13010502				•																	
	GASKET/BURNER FLANGE 156X156X6 D80	13010501		•	•		•	•															
0003	GASKET/BRAID D80X5X5-267	13011148		•	•		•	•															
	GASKET/BRAID D90X5X5-298	13011149				•																	
0006	FLAME TUBE D80/63 L177	13011116		•	•		•	•															
	FLAME TUBE D90/75 L192	13010978				•																	
0008	AIR BOX 218X135X35 PAINTED	13015574		•	•		•	•															
	INSULATION NC9	13018442				•																	
0009	MANU. CONTROL AIR FLAP	13010509		•	•	•	•	•															
0011	AIR RECYCLING	13010512		•	•		•	•															
	AIR RECYCLING	13010513				•																	
0012	AIR SHUTTER + SPRING	13010096		•	•	•	•	•															
0013	AIR FLAP D59/55X30+SPRING	13010515		•	•	•	•	•															
0014	FUNNEL / PRE-HEATER	13011186		•	•	•	•	•															
0015	BOX ADJUST FLAP ASS.+PHOTOCELL TUBE/OIL	13010472		•	•	•	•	•															
0020	FAN WHEEL D133X42 D10	13010101		•	•		•	•															
	FAN WHEEL D133X62 D10	13010517				•																	
0021	MOTOR 0,11KW 230V D10	13010980		•	•	•	•	•															
0022	CAPACITOR 4µF 2P 3mm	13011117		•	•	•	•	•															
0023	OIL PUMP ASV 47 D 1696	13010118		•	•	•	•	•															
0024	COUPLING D18/14,7/11X22 PUMP/MOTOR	65074172		•	•	•	•	•															
0025	PUMP COIL AS47/AL35 220/240V	13010006		•	•	•	•	•															
0026	FILTER KIT D20 A 47/57/67(NM)	13010470		•	•	•	•	•															
0040	OIL ELECTRIC CONNECTION BOX PRE-WIRED	13010979		•	•	•	•	•															
0041	CONTROL UNIT SH 113 C2	13011039		•	•	•	•	•															
0042	PHOTOCELL MZ 770 S	13009774		•	•	•	•	•															
0043	WIELAND PLUG 7P.	13009670		•	•	•	•	•															
0044	EXTENSION BUTTON	13010964		•	•	•	•	•															
0051	BAFFLE PLATE D63/16 4SL R	13011150		•			•	•															
	BAFFLE PLATE D63/20 6SL R	13011118			•																		
	BAFFLE PLATE D75/20 6SL L	13011040				•																	
0052	ELECTRODE BLOCK 25X48 D4 D1,5X19 52°	13011119		•	•	•	•	•															
0053	NOZZLE ROD DAN FPHE5 L.246	13011125					•	•															
	NOZZLE ROD LG.252	13011120		•	•																		
	NOZZLE ROD LG.272	13011041				•																	
0054	IGNITION CABLE D4/D4 L270X2 + FUNNEL	13011123		•	•	•	•	•															
0055	CABLE HEATER DAN+PLUG4P/RAST4P L450	13011126		•	•	•	•	•															
0056	RULER	13010100		•	•	•	•	•															
0060	IGNITION TRANSFORMER EBI 2X7.5 230V	13009663		•	•	•	•	•															
0065	OIL FEED TUBE	13021624		•	•	•	•	•															
0067	OIL HOSE DN6 LG.1,00 M (x1)	13007665		•	•	•	•	•															
0069	SCREW FOR FIXATION COVER 20MM	13016776		•	•	•	•	•															
0070	NOZZLE DAN 0,50GPH 60° S	13021666					•	•															
	NOZZLE DAN 0,60GPH 60° S	13016080		•																			
	NOZZLE DAN 1,00GPH 45° S	13016070			•																		
	NOZZLE DAN 1,25GPH 45° S	13016066				•																	

NC4/6/9 H/R101, FC6/9 H101

Oil burner

