



## SPARE PARTS EXPLODED VIEW GAS BURNERS

Model

**CB-NC12-16-21-GX2A**

R8220023-02 - 20/03/2018

CB-NC12-16-21-GX2A

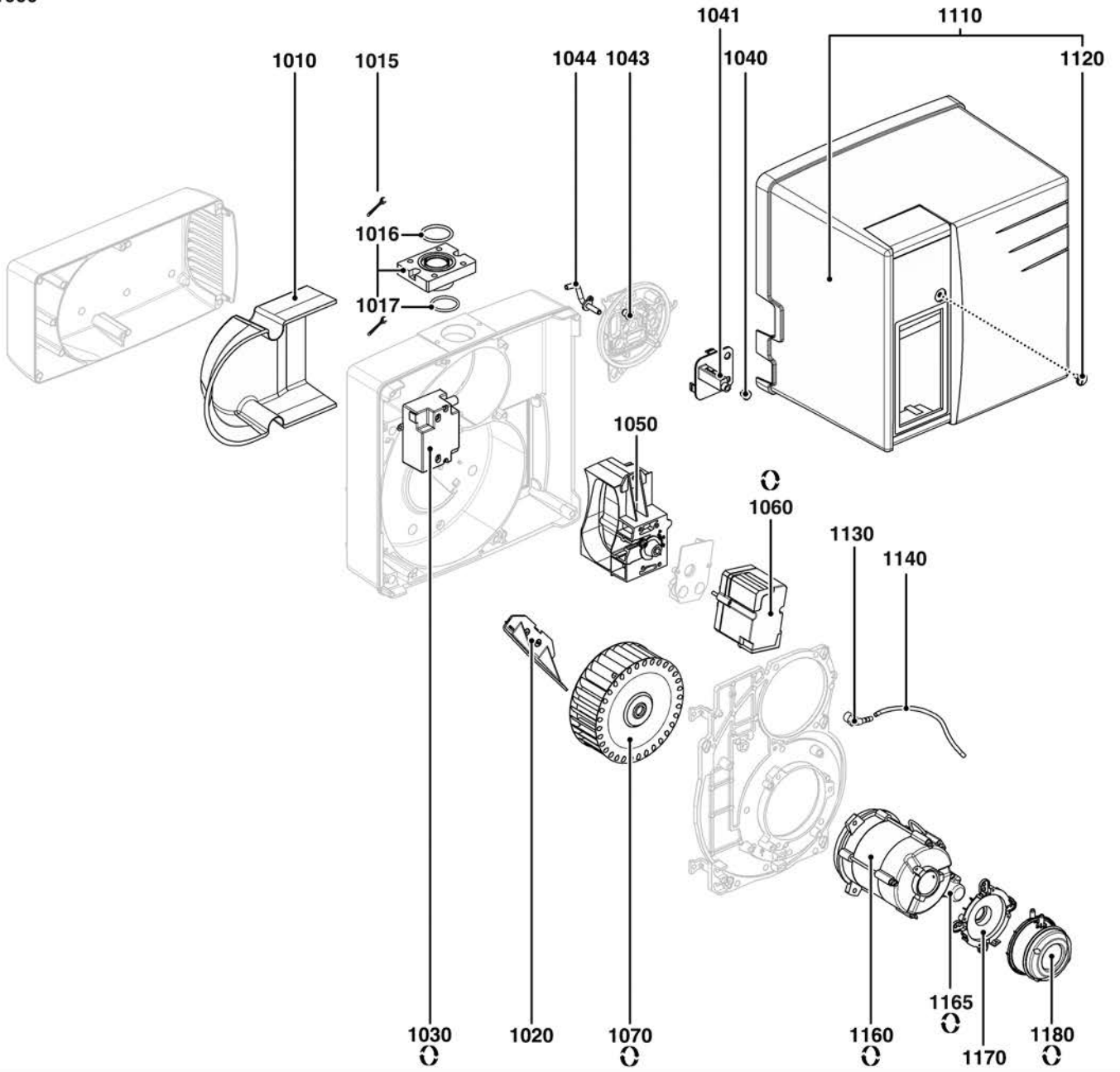
Gas burners

1	3833207	CB-NC12 GX207/8A P20-300 D3/4 -RP3/4 T1	02-2011	-
2	3833208	CB-NC12 GX207/8A P20-300 D3/4 -RP3/4 T2	02-2011	-
3	3833209	CB-NC16 GX207/8A P20-300 D3/4 -RP3/4 T1	02-2011	-
4	3833210	CB-NC16 GX207/8A P20-300 D3/4 -RP3/4 T2	02-2011	-
5	3833023	CB-NC21 GX207/8A P20-300 D3/4 -RP3/4 T1	02-2011	-
6	3833196	CB-NC21 GX207/8A P20-300 D3/4 -RP3/4 T2	01-2011	-
7	3833211	CB-NC21 GX207/8A P20 D1 1/4-RP1 1/4 T1	02-2011	-
8	3833212	CB-NC21 GX207/8A P20 D1 1/4-RP1 1/4 T2	02-2011	-

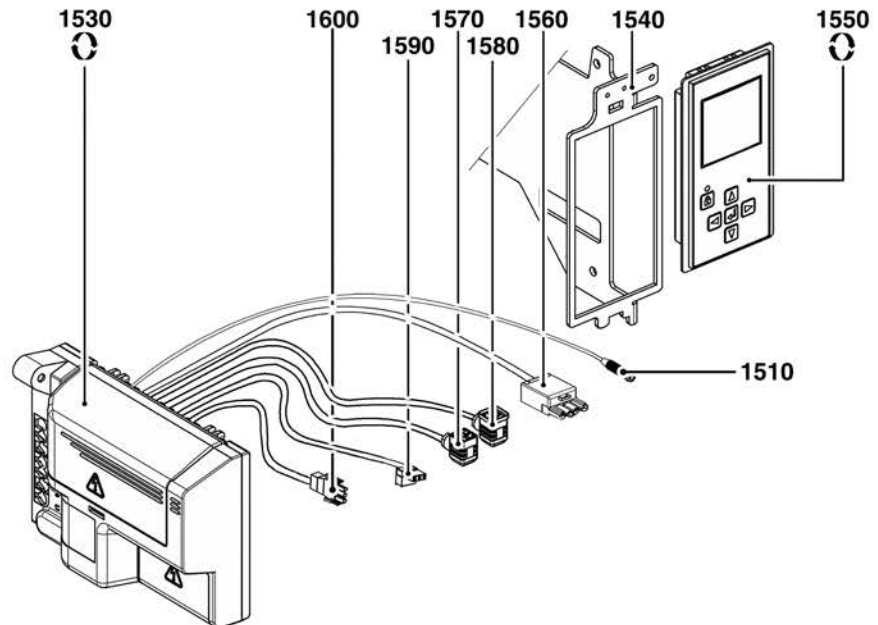
  

Col	Reference	Model type	Begin	End
-----	-----------	------------	-------	-----

1000



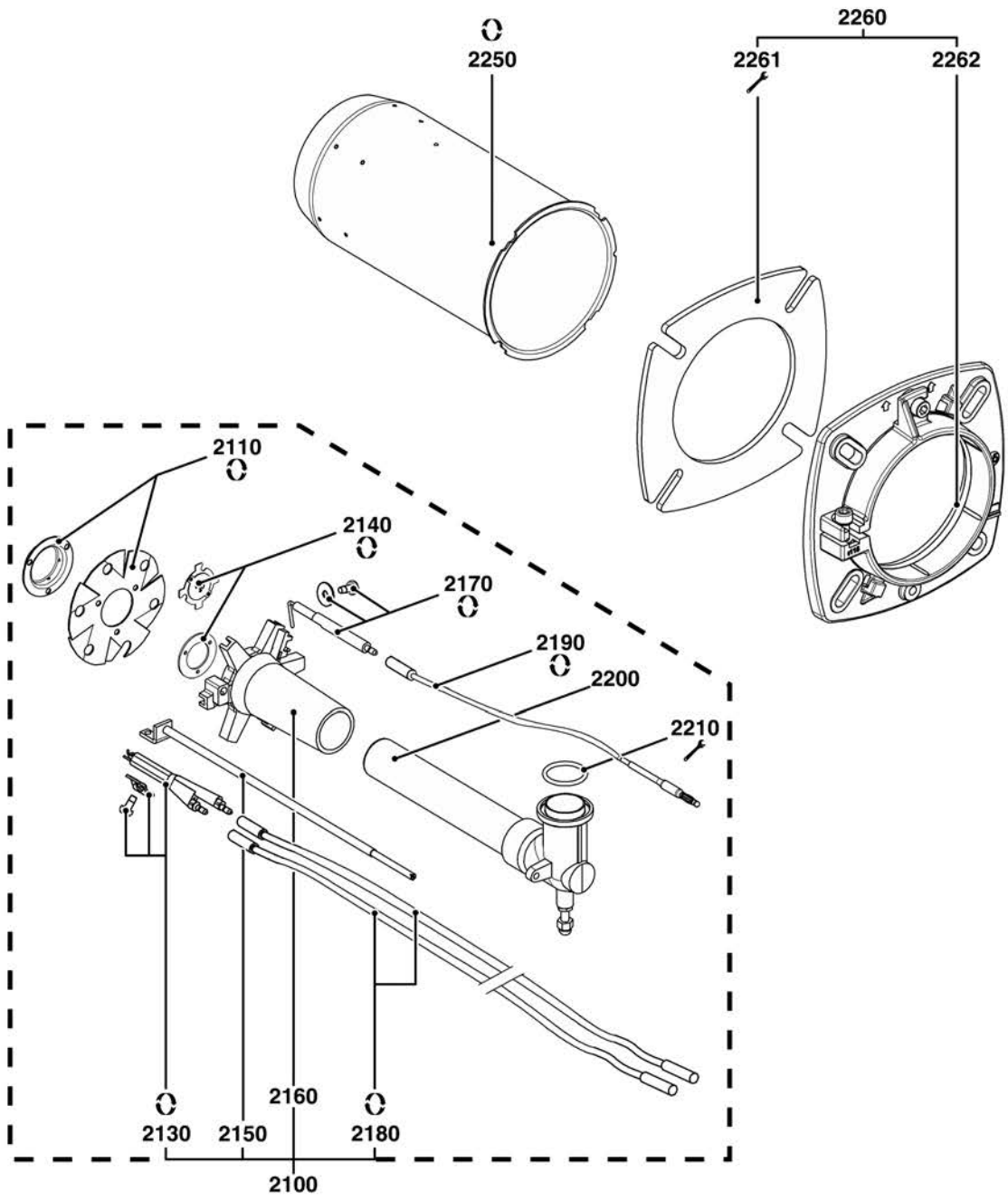
1500



☰	Description	Manf. Pt. N	Type	<div style="text-align: right; font-size: small; margin-bottom: 0;"> CB-NC12 GX207/8A 2G34/4* 292/4* T1  CB-NC12 GX207/8A 2G34/4* 292/4* T2  CB-NC16 GX207/8A 2G34/4* 292/4* T1  CB-NC16 GX207/8A 2G34/4* 292/4* T2  CB-NC21 GX207/8A 2G34/4* 292/4* T1  CB-NC21 GX207/8A 2G34/4* 292/4* T2  CB-NC2 GX207/8A 2G34/4* 292/4* T1  CB-NC2 GX207/8A 2G34/4* 292/4* T2 </div>																		From	to
				1	2	3	4	5	6	7	8	9	10	11	12	13	14	15	16	17	18		
<b>1000</b>	<b>BURNER BODY</b>																						
1010	INSULATION AIR INTAKE BOX	13017369		●	●	●	●	●	●	●	●	●	●	●									
1015	FLANGE 82X62X30 D27 GAS TUBE + O-RING	13022109		●	●	●	●	●	●	●	●	●	●	●									
1016	O-RING 4137 D34,52X3,53 NBR	13022908		●	●	●	●	●	●	●	●	●	●	●									
1017	O-RING D30X3	13018089		●	●	●	●	●	●	●	●	●	●	●									
1020	AIR RECYCLING 109/102X60 78° (WHITE)	13017363		●	●																		
	AIR RECYCLING 119/114X60 78° (BLACK)	13017364				●	●	●	●	●	●	●	●										
1030	IGNITION TRANSFO. EBI 2X7,5 230V	13009663		●	●	●	●	●	●	●	●	●	●	●									
1040	CABLE GROMMET BLACK D2,3/9	13010058		●	●	●	●	●	●	●	●	●	●	●									
1041	GAS DASHBOARD PLATE 60X60 GRADUATED L52	13021960		●	●	●	●	●	●	●	●	●	●	●									
1043	CABLE GROMMET D5/9 (2 pieces)	13007808		●	●	●	●	●	●	●	●	●	●	●									
1044	TUBE D.6+ AIR MEASURE FLANGE	13021961		●	●	●	●	●	●	●	●	●	●	●									
1050	AIR FLAP	13018138		●	●	●	●	●	●	●	●	●	●	●									
1060	ACTUATOR STE 4,5 B0.37/6-R + CABLE L600	65300527		●	●	●	●	●	●	●	●	●	●	●									
1070	FAN WHEEL D146 X52 D12,7	13010012		●	●																		
	FAN WHEEL D160X52 D12,7	13010095				●	●	●	●	●	●	●	●	●									
1110	COVER NC12...21A-FC12/16A + SCREW	65300769		●	●	●	●	●	●	●	●	●	●	●									
1120	FLAT HEAD SCREW M5X15	65300519		●	●	●	●	●	●	●	●	●	●	●									
1130	UNION ELBOW POLYAMID R1/8-D4	13013352		●	●	●	●	●	●	●	●	●	●	●									
1140	HOSE D4/7 L500 SILICONE	13015497		●	●	●	●	●	●	●	●	●	●	●									
1160	MOTOR 0,13KW230V D12,7	13010014								●	●	●	●										
	MOTOR 0,1KW 230V D12,7 DRILLED	65327089		●	●	●	●																
1165	CAPACITOR 5µF 2P 3mm	65325038	ACC	●	●	●	●																
	CAPACITOR 5µF 2P 3mm	65325038	SIMEL 100W	●	●	●	●																
	CAPACITOR 6,3µF 2P 3mm	13010016	ACC					●	●	●	●	●	●										
	CAPACITOR 6,3µF 2P 3mm	13010016	SIMEL 160W	●	●	●	●																
	CAPACITOR 8µF 2P 3mm	65300577	SIMEL					●	●	●	●	●	●										
1170	AIR PRESSURE SWITCH BASE D32	13020723		●	●	●	●	●	●	●	●	●	●	●									
1180	AIR PRESS.SWITCH 604.91 0,5-5MB+RAST	13020502		●	●	●	●	●	●	●	●	●	●	●									
<b>1500</b>	<b>ELECTRIC PART</b>																						
1510	IONISATION CABLE MC4/RAST 1P L350	65300158		●	●	●	●	●	●	●	●	●	●	●									
1530	CONTROL UNIT TCG 211.00	65300880		●	●	●	●	●	●	●	●	●	●	●									
1540	CONTROL UNIT BRACKET+DISPLAY	65300727		●	●	●	●	●	●	●	●	●	●	●									
1550	DISPLAY/CONTROL UNIT TCG-TCH REL.2.2	65301109		●	●	●	●	●	●	●	●	●	●	●									
1560	CABLE+PLUG WIE. 4P/RAST3P L250	65300531		●	●	●	●	●	●	●	●	●	●	●									
1570	CABLE GAS VALVE+PLUG DIN/RAST5P L1500	65300570		●	●	●	●	●	●	●	●	●	●	●									
1580	CABLE GAS P.SWITCH+PLUG DIN/RAST2P L1500	13023698		●	●	●	●	●	●	●	●	●	●	●									
1590	CABLE IGNIT.TRANSFO+PLUG 2P/RAST2P L350	65300619		●	●	●	●	●	●	●	●	●	●	●									
1600	CABLE MOTOR+PLUG 3P/RAST3P L300	13010519		●	●	●	●	●	●	●	●	●	●	●									

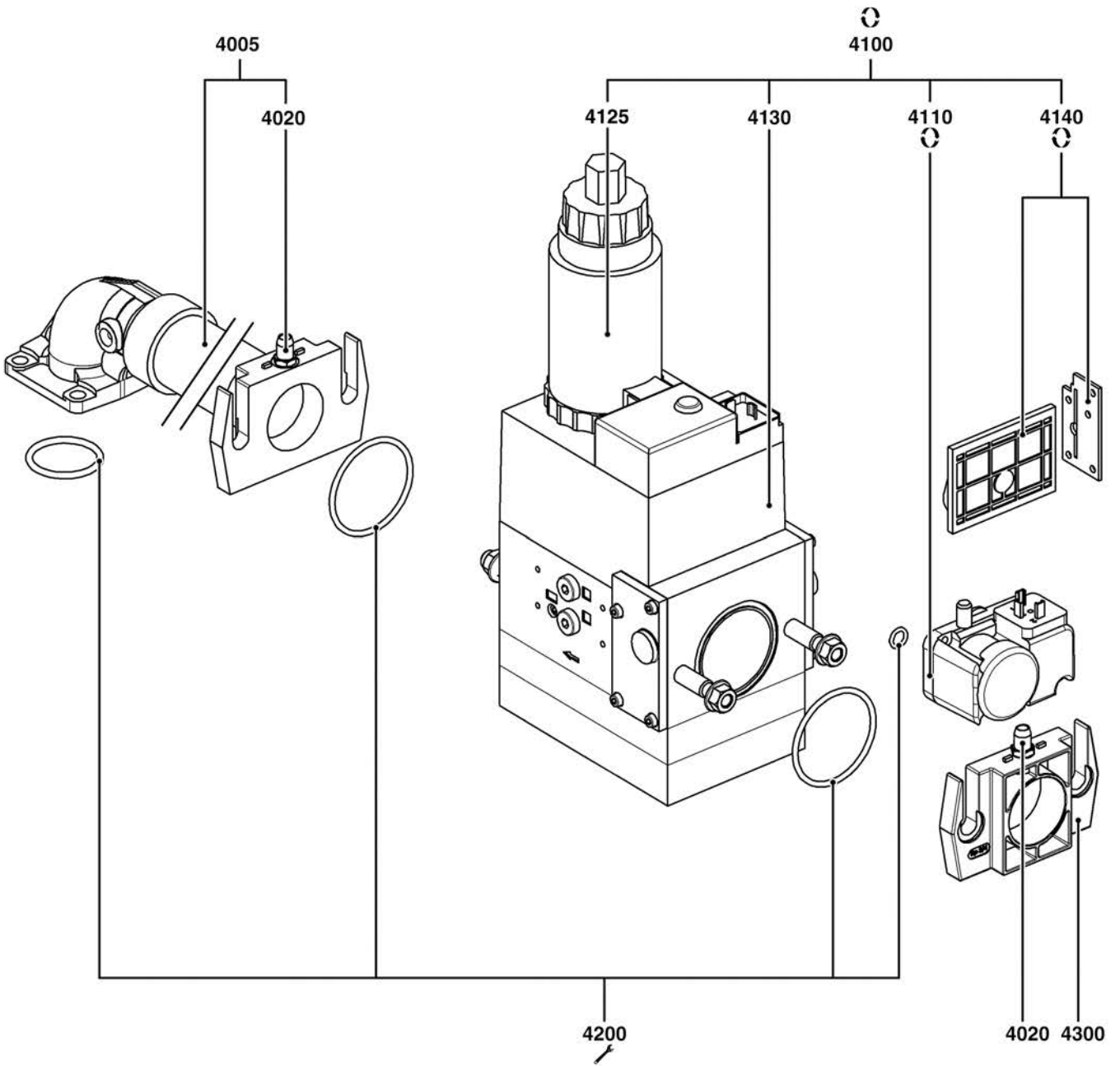
CB-NC12-16-21-GX2A

Gas burners



☉⇒	Description	Manf. Pt. N	Type	<div style="display: flex; justify-content: space-between; font-size: 8px;"> <span>CB-NC12 GX207/86 G244* R90/4 T1</span> <span>CB-NC12 GX207/86 G244* R90/4 T2</span> <span>CB-NC16 GX207/86 G244* R90/4 T1</span> <span>CB-NC16 GX207/86 G244* R90/4 T2</span> <span>CB-NC21 GX207/86 G244* R90/4 T1</span> <span>CB-NC21 GX207/86 G244* R90/4 T2</span> <span>CB-NC21 GX207/86 G111/4 R90/4 T1</span> <span>CB-NC21 GX207/86 G111/4 R90/4 T2</span> </div>																		From	to
				1	2	3	4	5	6	7	8	9	10	11	12	13	14	15	16	17	18		
<b>2000</b>	<b>COMBUSTION HEAD</b>																						
2100	COMB.HEAD GAS L257 D74,5 CPL.BLOCK-ELECT	65300762		●																			
	COMB.HEAD GAS L288 D89/93 BLOCK-ELECT.	65300764			●		●		●		●												
	COMB.HEAD GAS L377 D74,5 CPL.	65300763			●																		
	COMB.HEAD GAS L407 D89/93 BLOCK-ELECT.	65300765					●		●		●												
2110	BAFFLE PLATE D74,5/24,5 8SL R +DIFF. D50	13019123		●	●																		
	BAFFLE PLATE D91/30 6SL + NOZZLE D47	13015802				●	●	●	●	●	●	●	●	●	●	●	●	●	●				
2130	ELECTRODE BLOCK 12X46 D4 D1,2X10	65300738		●	●	●	●	●	●	●	●	●	●	●	●	●	●	●	●				
2140	PROPANE DIFFUSER	13018630				●	●	●	●	●	●	●	●	●	●	●	●	●	●				
	SHUTTER D57 LPG	13019125		●	●																		
2150	ADJUST ROD D6 L257 M6/D5	13022192		●																			
	ADJUST ROD D6 L288 M6/D4,8	13018033				●		●		●													
	ADJUST ROD D6 L377 M6/D5	13022193			●																		
	ADJUST ROD D6 L407 M6/D4,8	13018034					●		●		●												
2160	GAS HEAD L102 D93/30 6 BRANCH.	13010023				●	●	●	●	●	●	●	●	●	●	●	●	●	●				
	GAS HEAD L67 D72/22 +O-RING 4 BRANCH.	13010532		●	●																		
2170	IONISATION PROBE D8X80 D4 D2X27 80° F+S	13010529		●	●	●	●	●	●	●	●	●	●	●	●	●	●	●	●				
2180	IGNITION CABLE D4/D4 L365 AP (X1)	13013524		●		●		●		●		●		●		●		●					
	IGNITION CABLE D4/D4 L510 AP (X1)	13014990		●		●		●		●		●		●		●		●					
2190	IONISATION CABLE D4 BAN/D4 L350	13013525		●		●		●		●		●		●		●		●					
	IONISATION CABLE MC4/D4 L650	13015121			●		●		●		●		●		●		●		●				
2200	GAS INLET TUBE+ELBOW D22X215 T1/KN	13018027		●																			
	GAS INLET TUBE+ELBOW D22X335 T2/KL	13018028			●																		
	GAS INLET TUBE+ELBOW D30X211 T1/KN	13021643				●		●		●		●		●		●		●					
	GAS INLET TUBE+ELBOW D30X331 T2/KL	13020258					●		●		●		●		●		●		●				
2210	O-RING D30X3	13018089		●	●	●	●	●	●	●	●	●	●	●	●	●	●	●	●				
2250	FLAME TUBE D115/100 L230	13018148							●		●		●		●		●		●				
	FLAME TUBE D115/100 L350	13018149								●		●		●		●		●					
	FLAME TUBE D115/78/75 L230	13020498		●		●																	
	FLAME TUBE D115/78/75 L350	13020499			●		●																
2260	BOILER ACCESSORY D115 EUROFLANGE	13018134		●	●	●	●	●	●	●	●	●	●	●	●	●	●	●	●				
2261	GASKET/BURNER FLANGE 176X176X8 D115	13018135		●	●	●	●	●	●	●	●	●	●	●	●	●	●	●	●				
2262	GASKET/BRAID D115X5X5-377	13020517		●	●	●	●	●	●	●	●	●	●	●	●	●	●	●	●				

4000



☉ →	Description	Manf. Pt. N	Type	<div style="position: absolute; top: -10px; left: 50%; transform: translate(-50%, -50%); font-size: 8px; text-align: left;">             CB-NC12 GX20788 G344* RP3/4 T1              CB-NC12 GX20788 G344* RP3/4 T2              CB-NC16 GX20788 G344* RP3/4 T1              CB-NC16 GX20788 G344* RP3/4 T2              CB-NC21 GX20788 G344* RP3/4 T1              CB-NC21 GX20788 G344* RP3/4 T2              CB-NC1 GX20788 G1114 RP1 1/4 T1              CB-NC1 GX20788 G1114 RP1 1/4 T2           </div>																		From	to
				1	2	3	4	5	6	7	8	9	10	11	12	13	14	15	16	17	18		
<b>4000</b>	<b>GAS TRAIN</b>																						
4005	COMPLETE COLLECTOR	13018098		•	•	•	•	•	•														
	COMPLETE COLLECTOR	13018623										•	•										
4020	PRESSURE TAP R1/8	13009722		•	•	•	•	•	•	•	•												
4100	GAS VALVE MB-ZRDLE407 B01 S20 RP3/4	13010071		•	•	•	•	•	•														
	GAS VALVE MB-ZRDLE412 B01 S20 RP1 1/4	13012275										•	•										
4110	GAS PRESS.SWITCH GW 150 A5 5-150MB	13010078		•	•	•	•	•	•	•	•												
4125	COIL DUN N° 1150 V2 MBZRDLE405-407	13010073		•	•	•	•	•	•														
	COIL DUN N° 1250 V2 MBZRDLE410-412	13012272										•	•										
4130	COIL DUN N° 1101 V1 MBZRDLE405-407	13010072		•	•	•	•	•	•														
	COIL DUN N° 1201 V1 MBZRDLE410-412	13012273										•	•										
4140	STRAINER MB..405-407	13016011		•	•	•	•	•	•														
	STRAINER MB..410-412	13016012										•	•										
4200	O-RING KIT D34,5X3,5+D11X2/MB..412	13011114										•	•										
	O-RING KIT D34,5X3,5+GASKET COVER/MB.407	13011111		•	•	•	•	•	•														
4300	FLANGE MB405/407 RP3/4 + PRES.PLUG	65300658		•	•	•	•	•	•														
	FLANGE MB410/412 RP1 1/4	13010085										•	•										

## ADDRESSES

[www.berkoltd.com](http://www.berkoltd.com)



## INDIRIZZI PER LA RINTRACCIABILITÀ

- : Modelli da 12-16-21 kW / Serie CB-NC12-16-21-GX2A / Modelli da 12-16-21 kW / Serie CB-NC12-16-21-GX2A / Modelli da 12-16-21 kW / Serie CB-NC12-16-21-GX2A
- : Modelli da 12-16-21 kW / Serie CB-NC12-16-21-GX2A / Modelli da 12-16-21 kW / Serie CB-NC12-16-21-GX2A / Modelli da 12-16-21 kW / Serie CB-NC12-16-21-GX2A
- : Modelli da 12-16-21 kW / Serie CB-NC12-16-21-GX2A / Modelli da 12-16-21 kW / Serie CB-NC12-16-21-GX2A / Modelli da 12-16-21 kW / Serie CB-NC12-16-21-GX2A

## IDENTIFICAZIONE

### SERIE 77

