



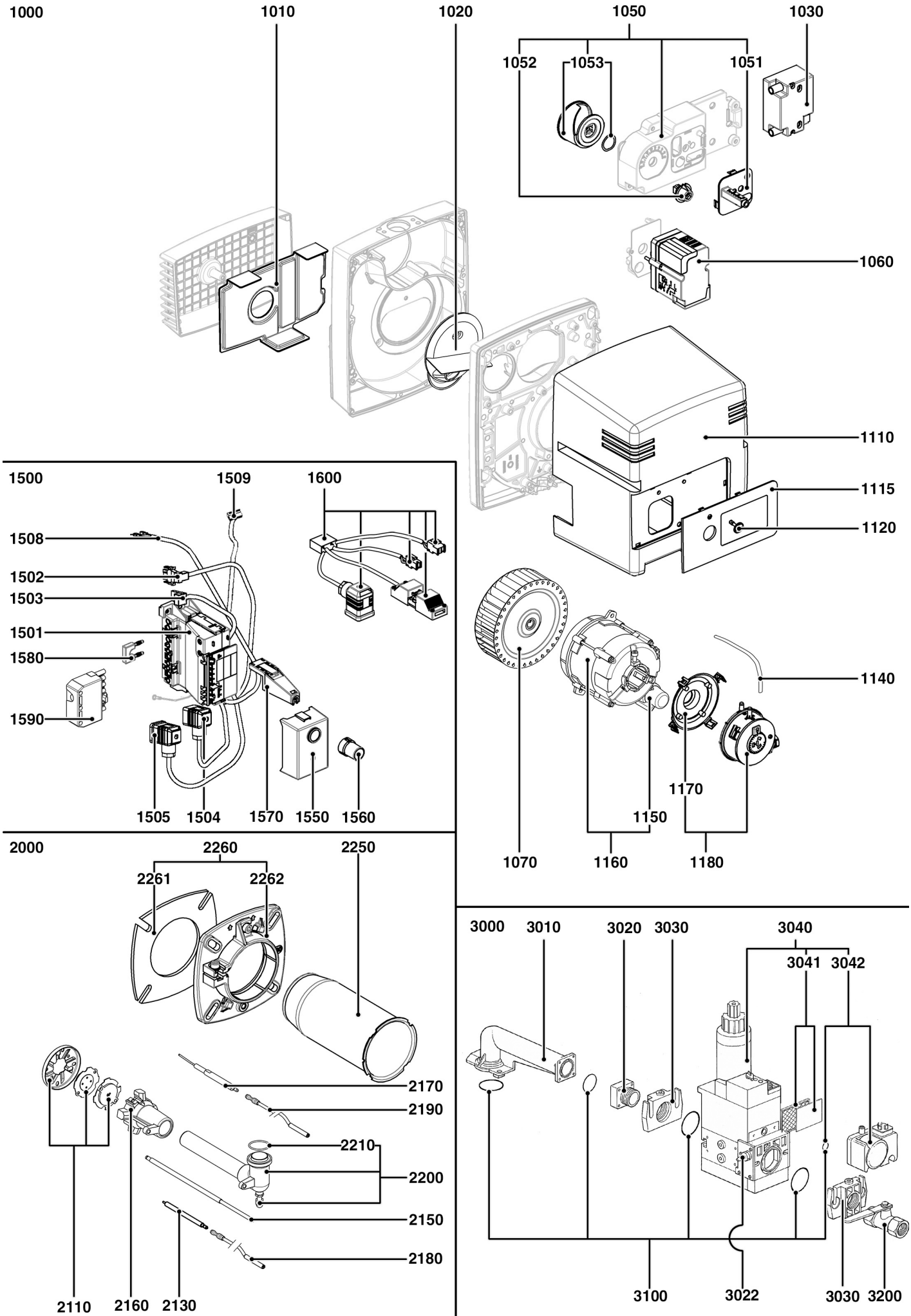
VUE ECLATEE
BRÛLEURS GAZ
Modèle
CB-NC9-GX2A

R8220012-01 - 31/03/2014

CB-NC9-GX2

Brûleurs gaz

1	13013671	CB-NC9GX207/8 d3/4"-Rp3/4" T1	01-2005
Col	Code	Modèle	Date Début Date Fin



		IT DE	ES NL	EN	X
1010	13018443	ISOLAMENTO SCATOLA DELL'ARIA SCHALDÄMMKASTEN/LUFTKASTEN	AISLAMIENTO CAJA DE AIRE ISOLATIE / LUCHTKAST	SOUND INSULATION/AIR BOX	1
1020	13010513	CONVOGLIATORE ARIA ANSAUGLUFTFUEHRUNG	RECICLAJE DE AIRE LUCHTRECICLAGE	AIR RECYCLING	1
1030	65300715	TRANSFO. ACC. EBI 1X11 230V ZUENDTRAFO EBI 1X11 230V	ENCENDEDOR EBI 1X11 230V ONTSTEKINGSTRAFO EBI 1X11 230V	IGNITION TRANSFO. EBI 1X11 230V	1
1050	13016894	PANNELLO COMANDI LUFTLEITGEHÄUSE	PANEL DE CONTROL LUCHTSTURINGSEENHEID	CONTROL PANEL SET	1
1051	13021960	PLACCHETTA QUADRO D. CONTROLLO DECKPLATTE	PLACA DEL PANEL DE CONTROL AFDEKPLAAT	CONTROL PANEL PLATE	1
1052	13010509	COMMANDO MANU. SERRAND. ARIA DREHKNOPF MANU. ZU LUFTKLAPPE	MANDO MANUAL VÁLVULA DE AIRE MANULELE BEDIENING LUCHTINSPECTIE	MANU. CONTROL AIR FLAP	1
1053	13016896	REGISTRO DELL'ARIA + MOLLA LUFTDOSIERTROMMEL + FEDER	VÁLVULA DE AIRE + MUELLE LUCHTKLEP + VEER / LUCHTKLEP	AIR FLAP + SPRING	1
1060	13012022	SERVOMOTORE STA 5 BO36/8 2N36 160° STELLANTRIEB STA 5 BO36/8 2N36 160°	SERVOMOTOR STA 5 BO36/8 2N36 160° SERVOMOTOR STA5 BO36/8 2N36 160°	ACTUATOR STA 5 BO36/8 2N36 160°	1
1070	13010517	VENTOLA D133X62 d10 VENTILATORRAD D133X62 d10	TURBINA D133X62 d10 VENTILATORWIEL D133X62 d10	FAN WHEEL D133X62 d10	1
1110	13023351	COPERCHIO BRENNERHAUBE	CUBIERTA KAP	HOOD	1
1115	13010951	PLACCA FRONTALE BESCHRIFTUNGSPLATTE	PLACA FRONTAL FRONT PLAAT	FRONT COVER	1
1120	13007853	VITE FISSAGGIO CAPOT 20 mm. FLACHKOPFSCHRAUBE	TORNILLO DE CABEZA PLANA SCHROEF BRANDERKAP	OVAL HEAD SCREW	1
1140	13015497	TUBO D.4/7 LG. 500 MM SCHLAUCH D.4/7 LG. 500 MM	MANGUERA D.4/7 LG. 500 MM SLANG D.4/7 LG. 500 MM	HOSE D.4/7 LG. 500 MM	1
1150	13010520	CONDENSATORE 3MF KONDENSATOR 3MF	CONDENSADOR 3MF CONDENSATOR 3µF.4P.6,4	CAPACITOR 3MF	1
	13011117	CONDENSATORE 4MF KONDENSATOR 4MF	CONDENSADOR 4MF CONDENSATOR 4UF	CAPACITOR 4MF	1
1160	13010518	MOTORE 0,085KW230V D10 MOTOR 0,085KW230V D10	MOTOR 0,085KW230V D10 MOTOR 0,085KW230V D10	MOTOR 0,085KW230V D10	1
1170	13020723	SUPPORTO PRESSOSTATO DELL'ARIA HALTER D.32 LUFTDRUCKWAECHTER	SOPORTE DEL MANOSTATO DE AIRE STEUN MANOSTAAT HUBA	AIR PRESSURE SWITCH BASE	1
1180	65300017	PRESSOSTATO ARIA HUBA RIC. LGW10C3 LUFTDRUCKWÄCHTER HUBA E.T. LGW10C3	PRESSOSTATO AIRE HUBA REPUEST. LGW10C3 LUCHTPRESSO. HUBA ONDERD. LGW10C3	AIR PRES.SWITCH HUBA A.S. LGW10C3	1
1501	13010521	CASSETTA DI RACCORDO GAS ELEKTROKONSOLE GAS	CAJETIN BRANDERAUTOMAT	ELEC. CONNECTION BOX GAS	1
1502	13010519	CAVO+PRESA/MOTORE KABEL M. STECKER/MOTOR	CABLE+TOMA/MOTOR KABEL + STEKKER / MOTOR	CABLE+CONNECTOR/MOTOR	1
1503	13010535	CAVO + CONN. / TRASFORMATORE KABEL M. STECKER / ZUENDTRAFO	CABLE+CONNECTOR/IGNITER KABEL/ TRANSFORMATOR	CABLE+CONNECTOR/IGNITER	1
1504	13010545	CONN. VALVOLA GAS N4..9 GX KABEL 3x0,7-1500 GASARMATUR G01.40-85	CABLE VÁLVULA MB KABEL KLEP MB	VALVE CABLE L.1200	1
1505	13010080	CONN. PRESS. GAS NC.. L=1500 KABEL 3x0,7-1500 M.STECK.GASDR-WAECH	CABLE+TOMA PARA MANOSTATO GAS KABEL+STEKKER GASDRUK SCHAKELAAR	PRESSURE CTRL .DEVICE CABLE L.1500	1
1508	13010537	CONN. PRESS. ARIA NC4..9 GX KABEL 2x0,7-200 DRUCKWAECHTER LGW3	CABLE+TOMA PARA MANOSTATO DE AIR KABEL DRUCKSCHAKELAAR	PRESSURE CONTROL DEVICE CABLE L.200	1
1509	13012024	CONN. + CAVO / SERVOMOTORE KABEL M. STECKER / STELLANTRIEB	CONN. + CABLE / SERVOMOTOR KABEL SERVOMOTOR	CONN. + CABLE / SERVOMOTOR	1
1550	13011099	APPARECCHIATURA SG 513 C2 FEUERUNGSAUTOMAT SG 513 C2	PROGRAMADOR SG 513 C2 BRANDERAUTOMAAT SG 513 C2	CONTROL UNIT SG 513 C2	1
1560	13010964	PULSANTE RIARMO SH-SG VERLANGERUNG ENSTORKNOPF	BOTON ALARGADERA KNOP VERLENGSTUK RELAIS	EXTENSION BUTTON	1
1570	13012597	COLONNETTA CASSETTA SG.H CAPOT HALTERUNG / KASSETTE	PILAR PARA CAJETÍN HOUDER CASSETTE	SUPPORT PILLAR	1
1580	13010524	PONTE DI IONIZZAZIONE NC4..60 VERBINDUNGSSTECKER	PUNTES IONIZACION BRUGSTUK IONISATIE	CONNECTION FOR IONIZATION	1
1590	13010523	CONNETTORE MASCHIO 7P. WIELAND STECKER 7P.	TOMA WIELAND MACHO 7P WIELAND STEKKER 7P.	WIELAND PLUG 7P.	1
2110	13007727	GRUPPO DEFLETTORE STAUSCHEIBEN-SET	CONJUNTO DEFLECTOR VLAMHOUDER G01.85	TURBULATOR ASSEMBLY	1
2130	13010528	ELETTRODO DI ACCENSIONE ZUENDELEKTRODE	ELECTRODO DE ENCENDIDO ELECTRODE ONTSTEKING	IGNITION ELECTRODE	1
2150	13010527	ASTA DI REGOLAZIONE LG.242 REGULIERSTANGE LG.242	VÁSTAGO DE AJUSTE LG.242 TANG HOOFDREGELING GAS L.242	ADJUST LINKAGE LG.242	1
2160	13010532	STELLA D.72 STERNGASKOPF D.72	ESTRELLA D.72 GAS HERSTARTVERBINDING	STAR HEAD D.72	1
2170	13010529	SONDA IONIZZAZIONE D.6/8X80 IONISATIONSELEKTRODE D.6/8X80	SONDA IONIZACIÓN D.6/8X80 IONISATIEVOELER D.6/8	IONISATION PROBE D.6/8X80	1
2180	13010525	CAVO ACC. C8-NC4..9 G L=375 ZUNDKABEL 2XD.4-L 375	CABLE DE ENCENDIDO 2XD.4-L 375 ONTSTEKINGSKABEL	IGNITION CABLE 2XD.4-L 375	1

