



SPARE PARTS EXPLODED VIEW OIL BURNER

Model

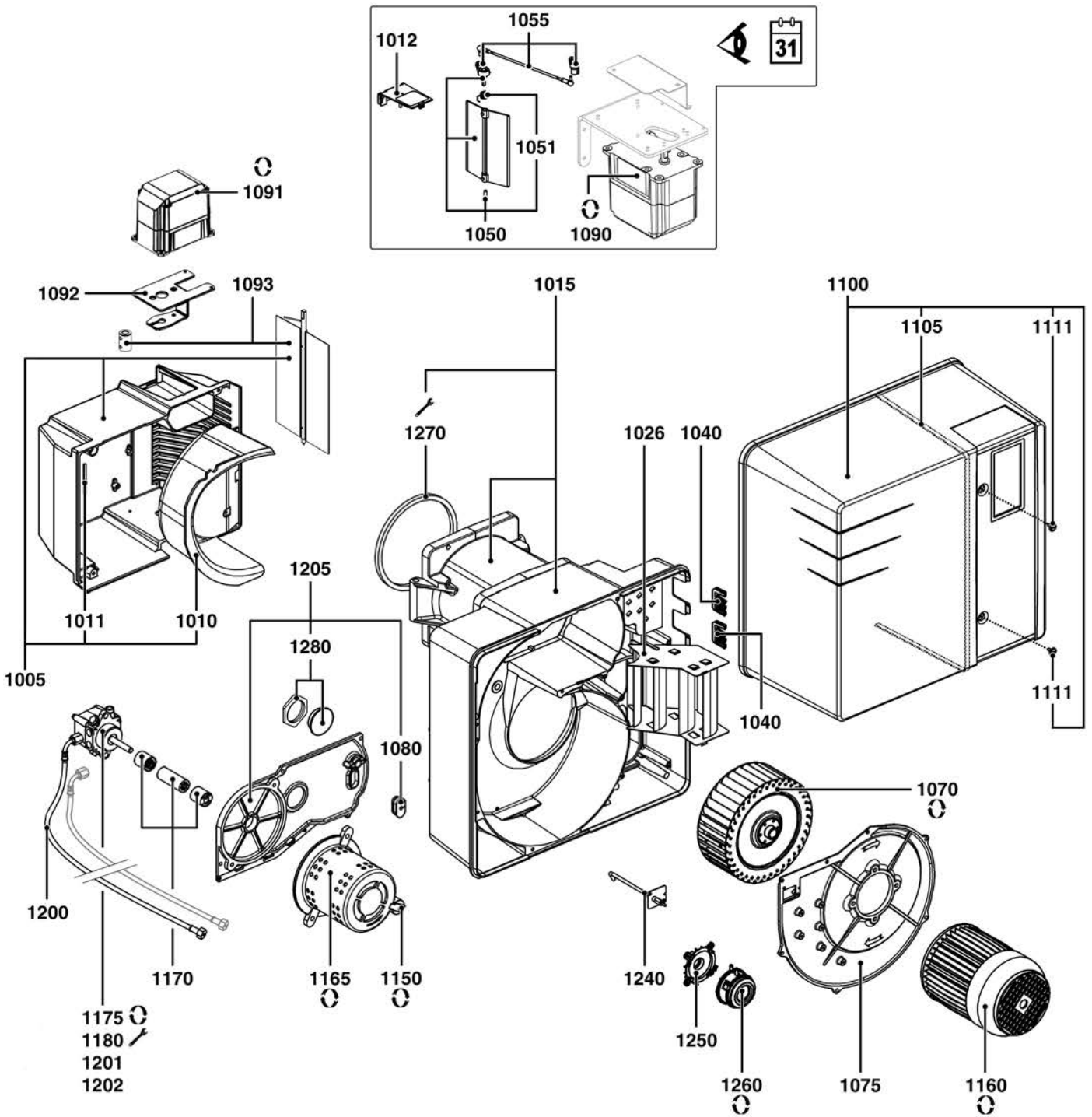
CB-NC160-210-H3A

R8220115-04 - 21/11/2019

CB-NC160-210-H3A

Oil burner

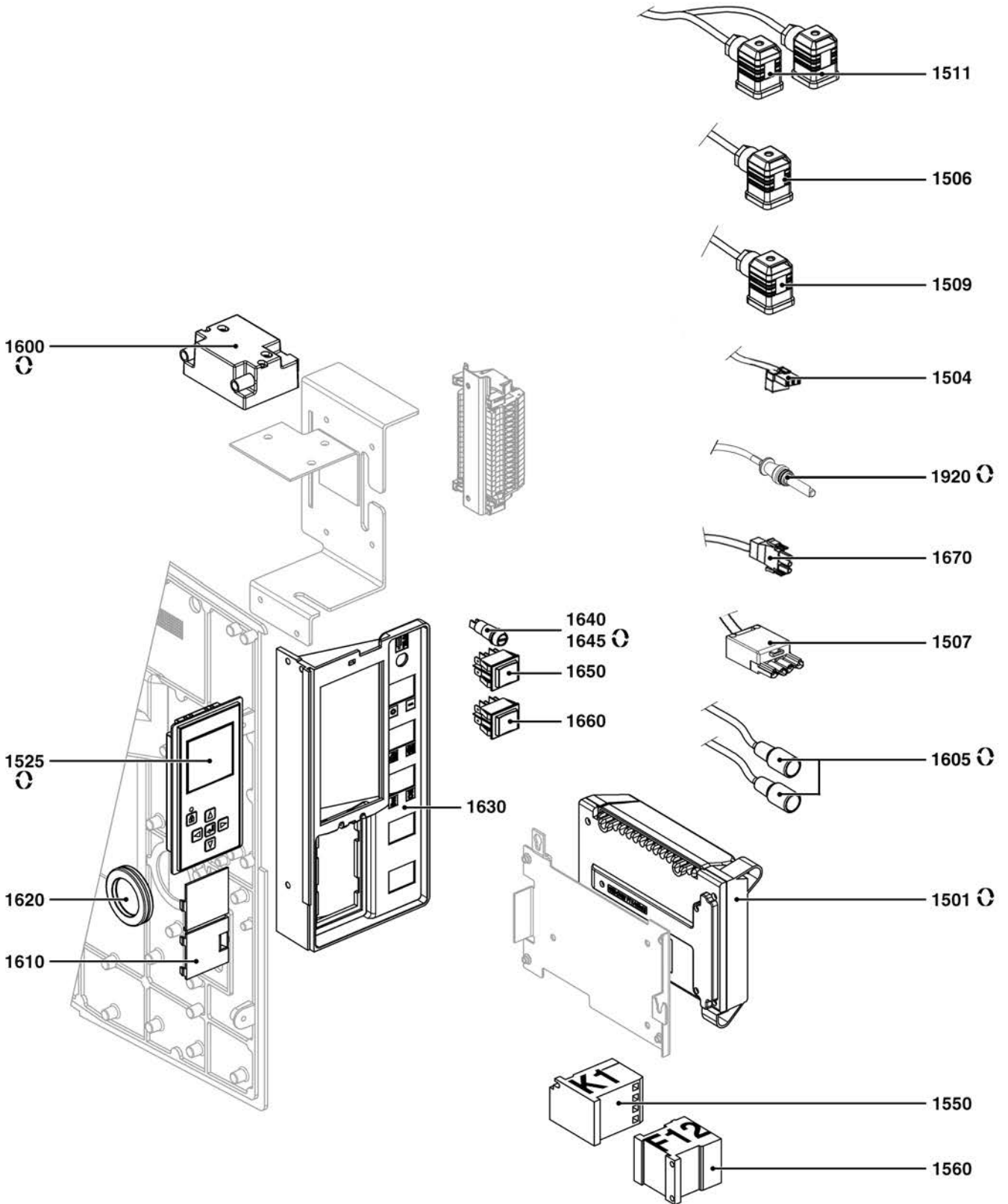
1	3833463	BB-NC160 H301A	09-2011	-
2	3833464	BB-NC210 H301A	09-2011	-
3	3833556	CH-O0732-T1/KN	03-2012	-
4	3833558	CH-O0732-T2/KL	05-2011	-
5	3833560	CH-O0732-T3/KM	05-2011	-
6	3833557	CH-O0733-T1/KN	09-2011	-
7	3833559	CH-O0733-T2/KL	04-2012	-
8	3833561	CH-O0733-T3/KM	04-2012	-
Col	Reference	Model type	Begin	End



Description	Manf. Pt. N	Type	<div style="display: flex; justify-content: space-between; align-items: center;"> <div style="writing-mode: vertical-rl; transform: rotate(180deg); font-size: small;"> BB-NC160-H801A BB-NC210-H801A CH-00132-T11KN CH-00132-T21KL CH-00133-T31KM CH-00133-T11KN CH-00133-T21KL CH-00133-T31KM </div> <div style="border: 1px solid black; padding: 2px; font-weight: bold; font-size: small;">31</div> </div>																		From	to
			1	2	3	4	5	6	7	8	9	10	11	12	13	14	15	16	17	18		
1000 BURNER BODY																						
1005 AIR BOX 318X414X167+METAL FLAP+COVER	65326951		•	•																		
1010 AIR BOX INSULATION	13009641		•	•																		
1011 GASKET/CASING AIR109X6X7 PROFILED	13009640		•	•																		
1012 COVER 80X143X47/AIR BOX	13009642		•	•																	05/15	
1015 HOUSING 565X522X162+FLANGE D200 NC210/V6	13022784		•	•																		
1026 AIR RECTIFIER 148/162 4BL.	13009748		•	•																		
1040 GROMMET/HOUSING	13016845		•	•																		
1050 AIR FLAP 232X154+SPRING+LEVER	13014117		•	•																	05/15	
1051 AIR FLAP SPRING RED	13011507		•	•																	05/15	
1055 COUPLING CPL.	65301070		•	•																	05/15	
1070 FAN WHEEL D240X114 d24	13009736		•																			
FAN WHEEL D250X114 d24	13009737		•	•																		
1075 MOTOR MOUNT.PLATE FAN WHE./V5-6/NC95-210	13018809		•	•																		
1080 CABLE GROMMET	13009648		•	•																		
1090 ACTUATOR STE4,5 Q3.51/6 R 3NM+CABLE L500	65301001		•	•																	05/15	
1091 ACTUATOR STE 4,5 Q3.51/6 L 3NM+CAB.L1000	65326804		•	•																	06/15	
1092 SERVOMOTOR HOLDER	65326226		•	•																	06/15	
1093 AIR FLAP 234/228X154+COUPLING	65326227		•	•																	06/15	
1100 COVER GREY 590X547X476+SCREW/NC95-210	65300990		•	•																		
1105 GASKET/COVER 10X3 L1000	13009772		•	•																		
1111 FLAT HEAD SCREW M5X15	65300519		•	•																		
1150 CAPACITOR 12µF 2P 3mm	13015715	ACC	•	•																		
CAPACITOR 22µF 2P 3MM	65326967	SIMEL	•	•																		
1160 MOTOR 2.2KW 230/400V D24+PLUG	13009739		•																			
MOTOR 2.5KW 230/400V D24+PLUG	13009740		•	•																		
1165 MOTOR 0.45KW 230V 50H D12.7 GMP	13009807		•	•																		
1170 MOTOR/PUMP COUPLING H-B	13009806		•	•																		
1175 FUEL OIL PUMP AJ6 CC 1004	13009802		•	•																		
1180 OIL FILTER 150µ / PUMP AJ6	13014194		•	•																		
1200 OIL HOSE DN8 G1/2M M16X38 90° L1500	13009815		•	•																		
1201 CONNECTOR/HOSE G1/4/M16X1,5	13014419		•	•																		
1202 CONNECTOR/HOSE G1/8/M14X1,5	13014676		•	•																		
1205 FLAME MONITORING COVER W/FITTINGS	13014118		•	•																		
1240 AIR PRESSURE PLUG ADJUTAGE D0,7 L145	13009738		•	•																		
1250 AIR PRESSURE SWITCH BASE D32	13020723		•	•																		
1260 AIR PRESSURE SWITCH 604 1-10MBAR	65300991		•	•																		
1270 GASKET/HOUSING-HEAD D218X8/5X10	13010055		•	•																		
1280 SIGHT GLASS D55/50X21+NUT M48	13010008		•	•																		

CB-NC160-210-H3A

Oil burner

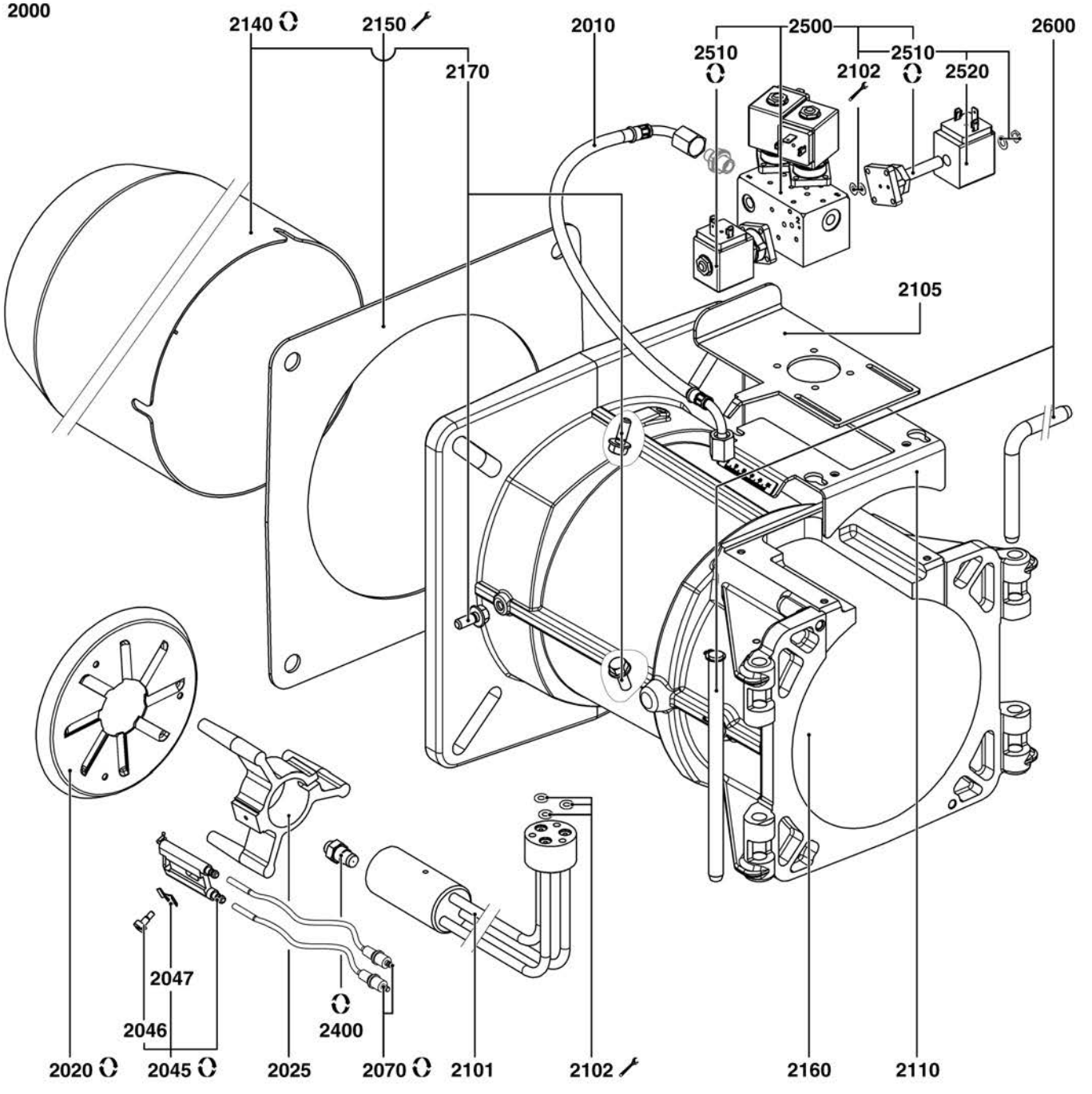


☉	Description	Manf. Pt. N	Type	BB-NC160-H801A	BB-NC210-H801A	CH-00132-T11KN	CH-00132-T11KN	CH-00132-T21KL	CH-00133-T31KM	CH-00133-T11KN	CH-00133-T21KL	CH-00133-T31KM	31		From	to	
				1	2	3	4	5	6	7	8	9	10	11	12	13	14

1500	ELECTRIC PART																
1501	CONTROL UNIT TCH 311.00	65300879		●	●												
1504	CABLE IGNIT.TRANSFO+PLUG 3P/RAST 3P L740	65300997		●	●												
1506	CABLE SOL.VALVE+PLUG DIN/RAST3P L1750V2	65300995		●	●												
1507	CABLE MOTOR+PLUG WIE. 4P 4X1,5 L560	65301000		●	●												
1509	CABLE SOL.VALVE+PLUG DIN/RAST3P L1800V3	65300996		●	●												
1511	CABLE SOL.VALVE+2XP.DIN/RAST3PL1800VS+V1	65300994		●	●												
1525	DISPLAY/CONTROL UNIT TCG-TCH REL.2.2	65301109		●	●												
1550	CONTACTOR SCH T.LC1-K0910M7	13009778		●	●												
1560	THERMIC RELAY SCH LR2K 5,5-8,0A	13009746		●	●												
1600	IGNITION TRANSFO. EBI 2X7,5 230V	13009663		●	●												
1605	IGNITION CABLE D6,35/D4 L750X2 BODY	13009743		●	●												
1610	SHUTTER/CONSOLE	13009661		●	●												
1620	CABLE GROMMET D54/D47/D36	65300993		●	●												
1630	CONTROL BOARD	65300992		●	●												
1640	FUSE HOLDER + FUSE 6.3A	13016457		●	●												
1645	FUSE 5X20 FST 6,3A 250V	13016028		●	●												
1650	LIGHTENING SWITCH ON/OFF	13010007		●	●												
1660	OPERATING SWITCH - OPERATION	13014009		●	●												
1670	CABLE GMP+PLUG 3P/RAST 3P L920	65300999		●	●												
1920	PHOTOCELL FTEB 3 F L610 RAST5	65328029		●	●											09/19	
	PHOTOCELL QRB1A LG.570+RAST5	65326516		●	●												08/19

CB-NC160-210-H3A

Oil burner



5000



Description	Manf. Pt. N	Type	<div style="display: flex; justify-content: space-between; align-items: center;"> <div style="writing-mode: vertical-rl; transform: rotate(180deg); font-size: small;"> BB-NC160-H801A BB-NC210-H801A CH-O0132-T11KN CH-O0132-T21KL CH-O0132-T31KM CH-O0133-T11KN CH-O0133-T21KL CH-O0133-T31KM </div> <div style="border: 1px solid black; padding: 2px; font-weight: bold;">31</div> </div>																		From	to
			1	2	3	4	5	6	7	8	9	10	11	12	13	14	15	16	17	18		
2000 COMBUSTION HEAD																						
2010 OIL HOSE DN6 M14-M14X28 90° L1300	13009809					•	•	•	•	•	•											
2020 BAFFLE PLATE D155/50 8SL R 3DRIL.	13009752									•	•	•										
BAFFLE PLATE D168/50 8SL 3DRIL.	13022795					•	•	•														
2025 BAFFLE PLATE HOLDER	13009753					•	•	•	•	•	•											
2045 ELECTROD.BLOC.27X55 d6,4 D2X23 45°+SCREW	13009726					•	•	•	•	•	•											
2046 WASHER HEAD SCREW M4/ELECTRODES BLOCK	13010049					•	•	•	•	•	•											
2047 FLANGE 20X11X2,6 FIX. ELECTRODE	13009725					•	•	•	•	•	•											
2070 IGNITION CABLE D6,35/D6,35 L950 X2 HEAD	13009727					•	•	•	•	•	•											
2101 NOZZLE ROD D42/10 L526 3 TUBES DIST.18	13009757					•				•												
NOZZLE ROD D42/10 L626 3 TUBES DIST.18	13009759									•												
NOZZLE ROD D42/10 L726 3 TUBES DIST.18	13009758									•												
2102 O-RING D6X2	13009812					•	•	•	•	•	•											
2105 COVER NOZZLE ROD 174X90 D63/NC160-210/V6	13009817					•	•	•	•	•	•											
2110 CLOSURE PLATE.RTC EQ. H-G	13009816					•	•	•	•	•	•											
2140 FLAME TUBE D227/160/190 L343	13009763									•												
FLAME TUBE D227/160/190 L443	13009765										•											
FLAME TUBE D227/160/190 L543	13009764										•											
FLAME TUBE D227/172/190 L343	13009760					•																
FLAME TUBE D227/172/190 L443	13009762									•												
FLAME TUBE D227/172/190 L543	13009761									•												
2150 GASKET/BURNER FLANGE 335X326X3 D250	13009719					•	•	•	•	•	•											
2160 FLANGE FIX. HEAD D228L389/VL6-NC160/210H	65326208					•	•	•	•	•	•											
2170 BURNER TUBE SCREW FIX. KIT (X3)	13009723					•	•	•	•	•	•											
2400 NOZZLE DAN 6,50 GPH 60° B	13016056					•	•	•														
NOZZLE DAN 8,50 GPH 60° B	13016059					•	•	•			•	•	•									
2500 OIL DISTRIBUTOR 3 STAGES	13009811					•	•	•	•	•	•											
2510 LUC ELECTRO VALVE 121F63 2/2NF9W	13009813					•	•	•	•	•	•											
2520 LUCIFER COIL 9W	13009814					•	•	•	•	•	•											
2600 SPINDLE/HINGE BODY-HEAD D12X210+D12X83	13009724					•	•	•	•	•	•											
5000 ACCESSORIES																						
5001 NOZZLE DAN 10,00 GPH 45° B	13016039					•	•	•	•	•	•											
NOZZLE DAN 10,00 GPH 60° B	13016049					•	•	•	•	•	•											
NOZZLE DAN 11,00 GPH 45° B	13023430					•	•	•	•	•	•											
NOZZLE DAN 11,00 GPH 60° B	13016050					•	•	•	•	•	•											
NOZZLE DAN 12,00 GPH 60° B	65300688					•	•	•	•	•	•											
NOZZLE DAN 4,50 GPH 45° B	13016042					•	•	•	•	•	•											
NOZZLE DAN 4,50 GPH 60° B	13016053					•	•	•	•	•	•											
NOZZLE DAN 5,00 GPH 45° B	13016044					•	•	•	•	•	•											
NOZZLE DAN 5,00 GPH 60° B	65300630					•	•	•	•	•	•											
NOZZLE DAN 5,50 GPH 45° B	13016043					•	•	•	•	•	•											
NOZZLE DAN 5,50 GPH 60° B	13016054					•	•	•	•	•	•											
NOZZLE DAN 6,50 GPH 45° B	13016045					•	•	•	•	•	•											
NOZZLE DAN 6,50 GPH 60° B	13016056					•	•	•	•	•	•											
NOZZLE DAN 7,50 GPH 45° B	13016047					•	•	•	•	•	•											
NOZZLE DAN 7,50 GPH 60° B	13016058					•	•	•	•	•	•											
NOZZLE DAN 8,50 GPH 45° B	13016048					•	•	•	•	•	•											
NOZZLE DAN 8,50 GPH 60° B	13016059					•	•	•	•	•	•											

CB-NC160-210-H3A







Oil burner

ADDRESSES

www.bosch.com



DESCRIZIONE DEI PANNELLI DI CONTROLLO

-  = **Manutenzione / Service / Maintenance**
-  = **Manutenzione / Service / Maintenance**
-  = **Manutenzione / Service / Maintenance**
-  = **Manutenzione / Service / Maintenance**
-  = **Manutenzione / Service / Maintenance**
-  = **Manutenzione / Service / Maintenance**

MANIPOLAZIONE

SEGNALAZIONE

