

## EDENA 2 1102 LE

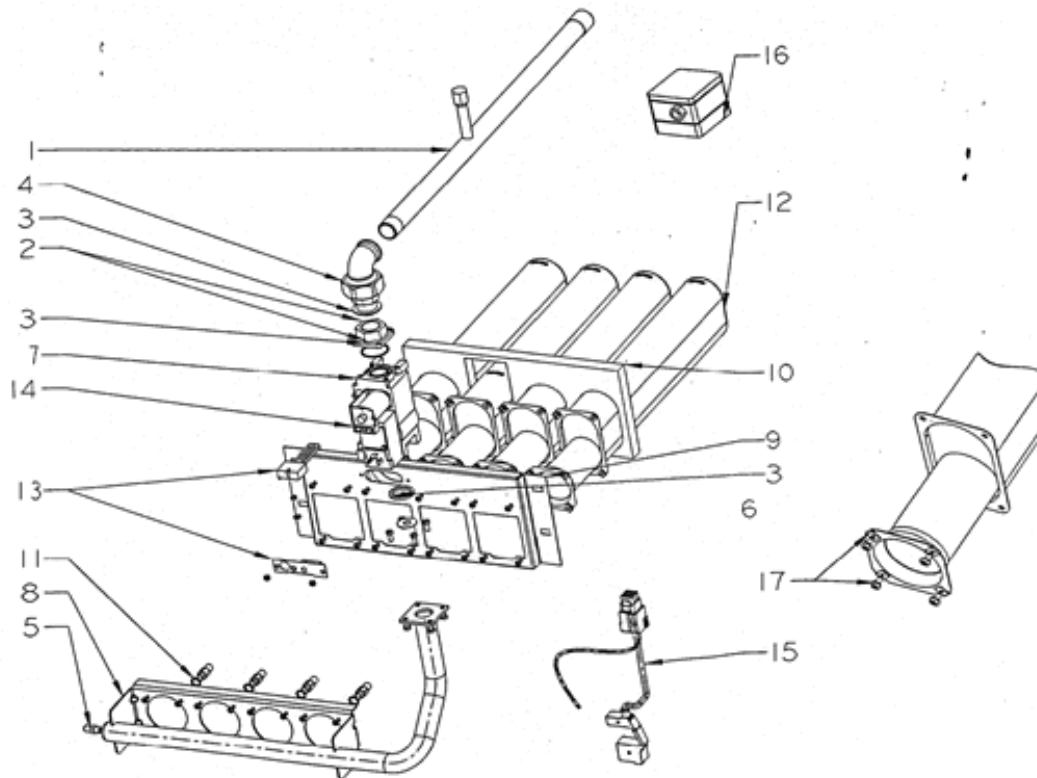
Repère	Référence	Désignation	Quantité
1	S17007198	TUBE ALIMENTATION GAZ P/GA	1,0000
2	S17006302	RACCORD DROIT 3/4 HONEYWELL	1,0000
3	S17880461	POCHETTE JOINTS GAZ	1,0000
4	SN9125920	COUDE UNION 3/4" A JOINT PLAT	1,0000
5	S17006201	OLIVE PRISE DE PRESSION	1,0000
6	S17931874	DIAPHRAGME VANNE D=10 P/70KW	1,0000
6	S17931884	DIAPHRAGME VANNE D=11 P/50KW	1,0000
6	S17931894	DIAPHRAGME VANNE D=12 P/60KW	1,0000
6	S17931904	DIAPHRAGME VANNE D=15 P/70KW	1,0000
7	S17007706	VANNE SIT 0.822.120	1,0000
8	S17006256	TUBE RAMPE GAZ LE P/40KW	1,0000
8	S17006257	TUBE RAMPE GAZ LE P/50KW	1,0000
8	S17006258	TUBE RAMPE GAZ LE P/60KW	1,0000
8	S17006259	TUBE RAMPE GAZ LE P/70KW	1,0000
9	S17931004	FACADE BRULEUR LE P/40KW	1,0000
9	S17931014	FACADE BRULEUR LE P/50KW	1,0000
9	S17931024	FACADE BRULEUR LE P/60KW	1,0000
9	S17931034	FACADE BRULEUR LE P/70KW	1,0000
10	S17070541	ISOLATION BRULEUR LE P/40KW	1,0000
10	S17070542	ISOLATION BRULEUR LE P/50KW	1,0000
10	S17070543	ISOLATION BRULEUR LE P/60KW	1,0000
10	S17070544	ISOLATION BRULEUR LE P/70KW	1,0000
13	S17070649	ALLUMEUR BRULEUR GA "LE"	1,0000
14	S170491EA	VISUEL MICA 20X20	1,0000
15	S500783	CABLAGE VANNE SIT 1002 LE	1,0000
16	S17003991	PRESSOSTAT DWG 50 U (ANC.LIB:COUPE-GAZ DW H/1-120 GZ107)	1,0000
16	SN9020380	PRESSOSTAT DUNGS	1,0000
17	S17880458	SACHET VISSERIE	1,0000



EDENA 2 LE

A partir de 1996

N° 1928	BRULEUR	142
---------	---------	-----





## EDENA 2 1102 LE

Repère	Référence	Désignation	Quantité
1	S17882175	CORPS EPROUVE 40KW	1,0000
1	S17882176	CORPS EPROUVE 50KW	1,0000
1	S17882177	CORPS EPROUVE 60KW	1,0000
1	S17882178	CORPS EPROUVE 70KW	1,0000
2	S170864EA	DOIGT DE GANT 1/2" L=210	1,0000
3	S17006472	ROBINET DE VIDANGE 1/2"	1,0000
4	S15929250	BOUCHON A COLL 26X34	1,0000
5	S17001076	CLIPS MAINTIEN CAPILAIRE	1,0000
6	S17006458	RESSORT PR GAINÉ 120MM	1,0000
7	S17880570	SOCLE STD.40KW MOD.ST	1,0000
7	S17880571	SOCLE STD.50KW MOD.ST	1,0000
7	S17880572	SOCLE STD.60KW MOD.ST	1,0000
7	S17880573	SOCLE STD.70KW MOD.ST	1,0000
7	S17880650	SOCLE BAS-NOX 40KW MOD.LE	1,0000
7	S17880651	SOCLE BAS-NOX 50KW MOD.LE	1,0000
7	S17880652	SOCLE BAS-NOX 60KW MOD.LE	1,0000
7	S17880653	SOCLE BAS-NOX 70KW MOD.LE	1,0000
8	S15245348	GOUJON FIX.CORPS M10X45	4,0000
9	S17070595	ISOLATION CORPS 40KW	1,0000
9	S17070594	ISOLATION CORPS 50KW	1,0000
9	S17070593	ISOLATION CORPS 60KW	1,0000
9	S17070592	ISOLATION CORPS 70KW	1,0000
10	S17880579	BOITE A FUMÉES 40KW	1,0000
10	S17880580	BOITE A FUMÉES 50KW	1,0000
10	S17880581	BOITE A FUMÉES 60KW	1,0000
10	S17880582	BOITE A FUMÉES 70KW	1,0000
10	S17880578	ENS.B.A.F.GA.40 KW ALLEMAGNE	1,0000
11	S17071459	THERMOSTAT SECURIT.DEBORDEMENT	1,0000
12	S17070591	ISOLATION B.A.F. 40/50KW	1,0000
12	S17070590	ISOLATION B.A.F. 60/70KW	1,0000
13	S17931584	EQUERRE FIX.BANDEAU 40 KW	1,0000
13	S17931594	EQUERRE FIX.BANDEAU 50 KW	1,0000
13	S17931604	EQUERRE FIX.BANDEAU 60 KW	1,0000
13	S17931614	EQUERRE FIX.BANDEAU 70 KW	1,0000

## EDENA 2 1102 LE

Repère	Référence	Désignation	Quantité
14	S17070589	TRESSE BAF 15X6 LG1506 40KW	1,0000
14	S17070588	TRESSE BAF 15X6 LG1670 50KW	1,0000
14	S17070587	TRESSE BAF 15X6 LG1834 60KW	1,0000
14	S17070586	TRESSE BAF 15X6 LG1998 70KW	1,0000
15	S156761EA	JOINT NEOPRENE 44X33X2	1,0000
16	S17070585	TRESSE BRULEUR 15X6 LG491 40KW	1,0000
16	S17070584	TRESSE BRULEUR 15X6 LG573 50KW	1,0000
16	S17070583	TRESSE BRULEUR 15X6 LG655 60KW	1,0000
16	S17070582	TRESSE BRULEUR 15X6 LG737 70KW	1,0000
17	S170250EA	BROSSE DE RAMONAGE 25x12	1,0000
18	S17880369	SACHET VISS.CORPS 40A70 KW	1,0000
7a	S17931804	GRILLE AIR 40KW MOD.ST	2,0000
7a	S17931814	GRILLE AIR 50KW MOD.ST	2,0000
7a	S17931824	GRILLE AIR 60KW MOD.ST	2,0000
7a	S17931834	GRILLE AIR 70KW MOD.ST	2,0000

# EDENA 2 1102 LE



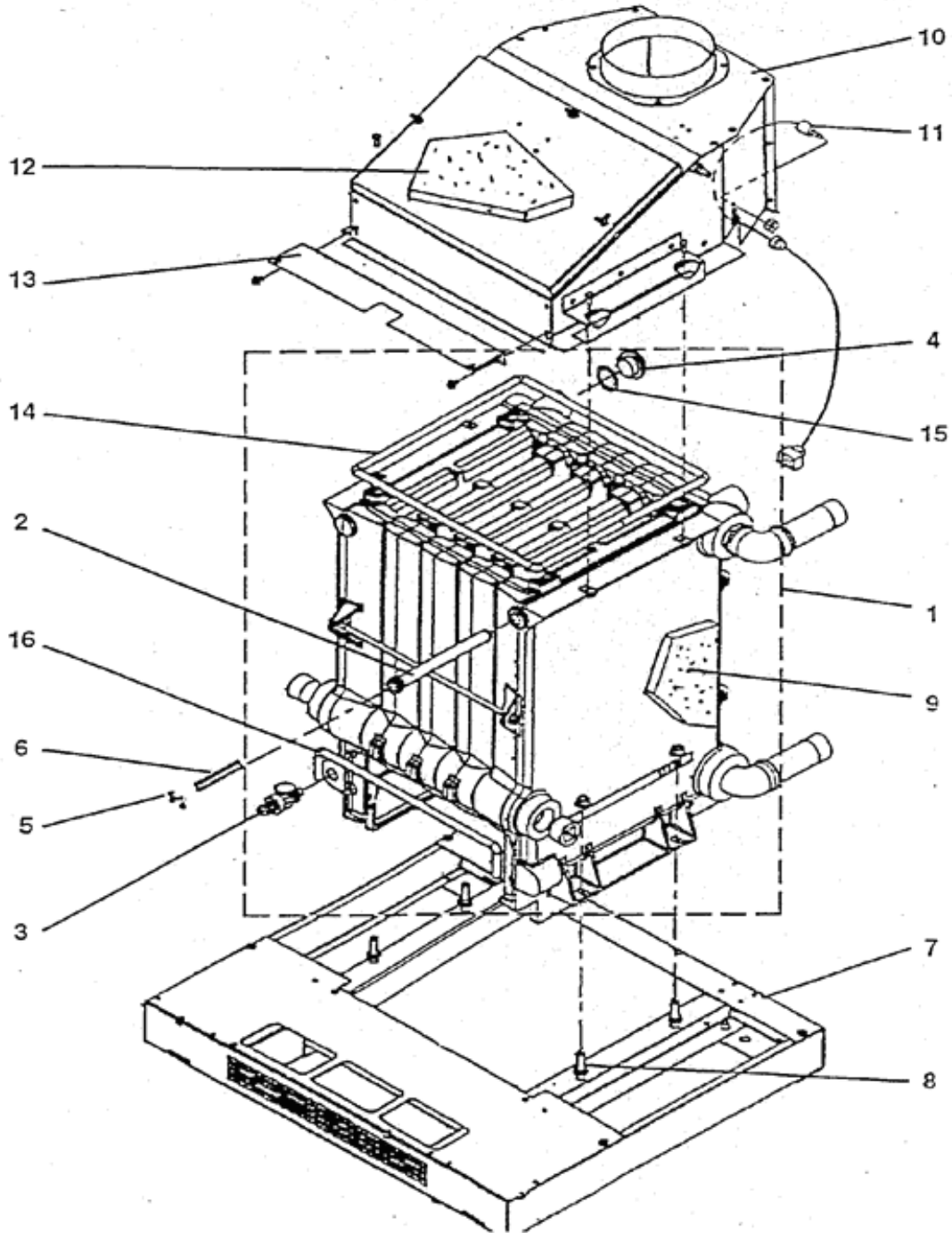
EDENA 2 LE

A partir de 1996

N° 1929

CORPS - Coupe Tirage

143



1

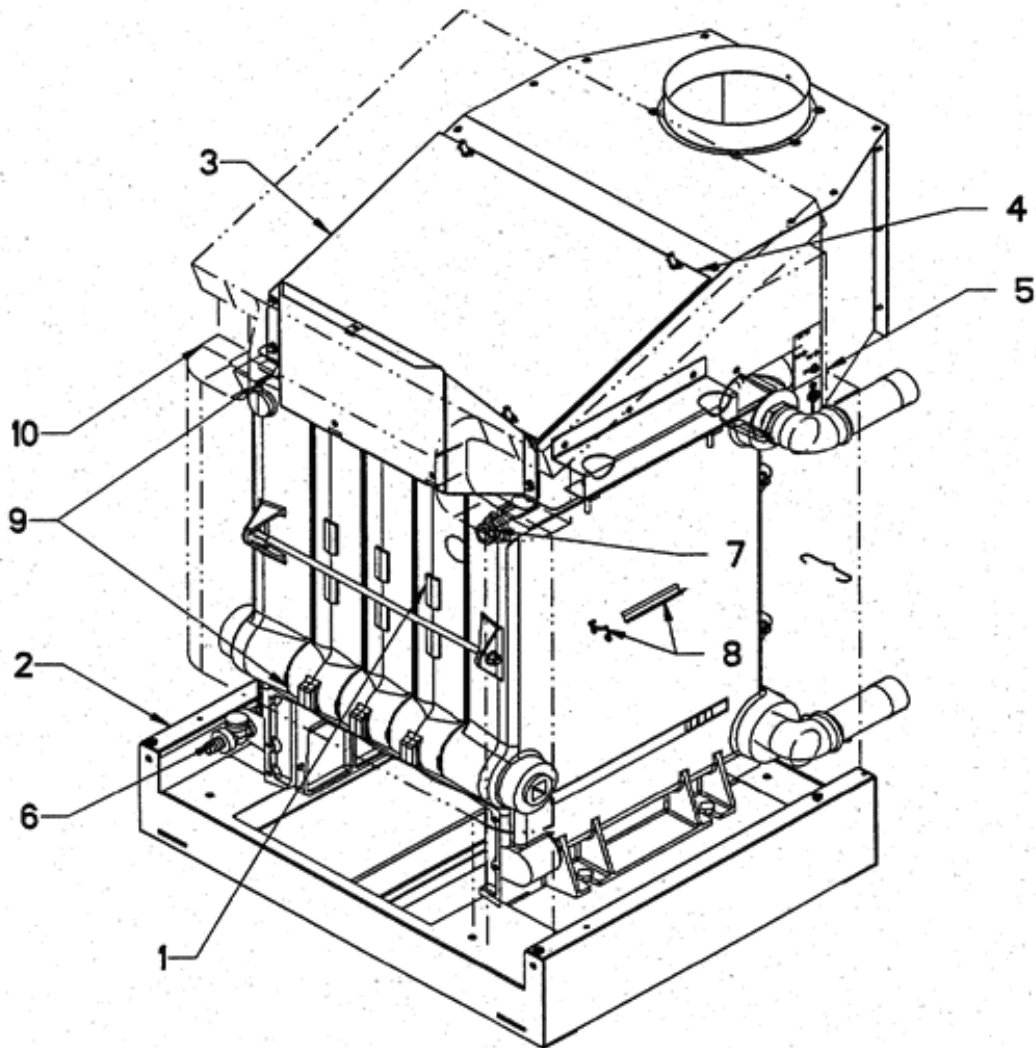
EDENA 2 LE - corps\_Vue.xls



## EDENA 2 1102 LE

Repère	Référence	Désignation	Quantité
1	S132852	CORPS ASSEMBLE 1102 LE-SE 40KW	1,0000
1	S132853	CORPS ASSEMBLE 1102 LE-SE 50KW	1,0000
1	S132854	CORPS ASSEMBLE 1102 LE-SE 60KW	1,0000
1	S132855	CORPS ASSEMBLE 1102 LE-SE 70KW	1,0000
2	S130767	SOCLE CORPS 1102 LE 40kw	1,0000
2	S130768	SOCLE CORPS 1102 LE 50kw	1,0000
2	S130769	SOCLE CORPS 1102 LE 60kw	1,0000
2	S130770	SOCLE CORPS 1102 LE 70kw	1,0000
2	S133114	SOCLE CORPS 1102 SE 40kw	1,0000
2	S133115	SOCLE CORPS 1102 SE 50kw	1,0000
2	S133116	SOCLE CORPS 1102 SE 60kw	1,0000
2	S133117	SOCLE CORPS 1102 SE 70kw	1,0000
3	S132902	COUPE TIRAGE 1102 LE-SE 40KW	1,0000
3	S132903	COUPE TIRAGE 1102 LE-SE 50KW	1,0000
3	S132904	COUPE TIRAGE 1102 LE-SE 60KW	1,0000
3	S132905	COUPE TIRAGE 1102 LE-SE 70KW	1,0000
4	S15630199	JOINT SILICONE 15x6 LG=2m	1,0000
5	S17071459	THERMOSTAT SECURIT.DEBORDEMENT	1,0000
6	S17006472	ROBINET DE VIDANGE 1/2"	1,0000
7	S170864EA	DOIGT DE GANT 1/2" L=210	1,0000
8	S500652	CLIPS ET RESSORT DE BULBE	1,0000
9	S17000191	TRESSE CERAMIQ.15X6 D:12(LE M)	1,0000
10	S122730	CALORIFUGE CORPS 1102 LE-SE 40KW	1,0000
10	S122731	CALORIFUGE CORPS 1102 LE-SE 50KW	1,0000
10	S122732	CALORIFUGE CORPS 1102 LE-SE 60KW	1,0000
10	S122733	CALORIFUGE CORPS 1102 LE-SE 70KW	1,0000
11	S500653	SACHET VISSERIE CORPS 1102 LE-SE	1,0000
12	S170250EA	BROSSE DE RAMONAGE 25x12	1,0000





⑪ SACHET VISSERIE CORPS GA

⑫ BROSSE DE RAMONAGE

## EDENA 2 1102 LE



## EDENA 2 1102 LE - SE

A PARTIR DE MARS 2000

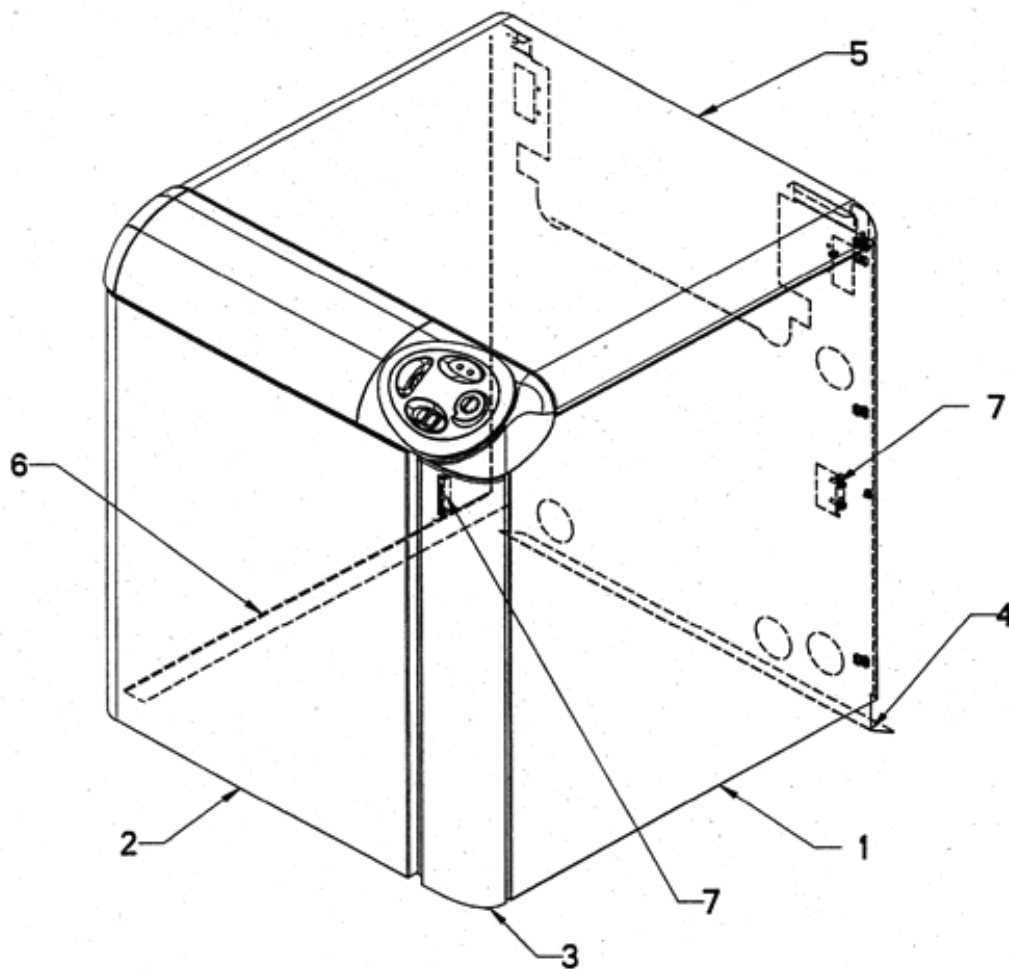
N° 2047		CORPS - COUPE TIRAGE		261
Repere	Désignation	Qté	Code	Zone note détail pièce
1	CORPS ASSEMBLE 5 éts 40KW	1	S132852	
1	CORPS ASSEMBLE 6 éts 50KW	1	S132853	
1	CORPS ASSEMBLE 7 éts 60KW	1	S132854	
1	CORPS ASSEMBLE 8 éts 70KW	1	S132855	
2	ENSEMBLE SOCLE 5 éts LE 40KW	1	S130767	
2	ENSEMBLE SOCLE 6 éts LE 50KW	1	S130768	
2	ENSEMBLE SOCLE 7 éts LE 60KW	1	S130769	
2	ENSEMBLE SOCLE 8 éts LE 70KW	1	S130770	
2	ENSEMBLE SOCLE 5 éts SE 40KW	1	S133114	
2	ENSEMBLE SOCLE 6 éts SE 50KW	1	S133115	
2	ENSEMBLE SOCLE 7 éts SE 60KW	1	S133116	
2	ENSEMBLE SOCLE 8 éts SE 70KW	1	S133117	
3	ENSEMBLE COUPE - TIRAGE 40KW	1	S132902	
3	ENSEMBLE COUPE - TIRAGE 50KW	1	S132903	
3	ENSEMBLE COUPE - TIRAGE 60KW	1	S132904	
3	ENSEMBLE COUPE - TIRAGE 70KW	1	S132905	
4	JOINT SILICONE 15x6 : lg 2 m	1	S15630199	
5	FAISCEAU CABLE THERM- FUMEE	1	S17071459	
6	ROBINET DE VIDANGE 1/2" 15/21	1	S17006472	
7	DOIGT DE GANT 1/2" : lg 210	1	S170864EA	
8	ENSEMBLE CLIP ET RESSORT BULBE	1	S500652	
9	TRESSE CERAMIQUE 15x6 : lg 3m	1	S17000191	étanchéité coupe tirage & brûleur
10	CALORIFUGE CORPS 5 éts 40KW	1	S122730	
10	CALORIFUGE CORPS 6 éts 50KW	1	S122731	
10	CALORIFUGE CORPS 7 éts 60KW	1	S122732	
10	CALORIFUGE CORPS 8 éts 70KW	1	S122733	
11	SACHET DE VISSERIE CORPS	1	S500653	
12	BROSSE DE RAMONAGE	1	S170250EA	

## EDENA 2 1102 LE

Repère	Référence	Désignation	Quantité
4	S130776	TOLE AR.1102 LE-SE 40KW	1,0000
4	S130777	TOLE AR.1102 LE-SE 50KW	1,0000
4	S130778	TOLE AR.1102 LE-SE 60KW	1,0000
4	S130779	TOLE AR.1102 LE-SE 70KW	1,0000
5	S130881A	DESSUS EDENA2 1102 LE-SE 40KW	1,0000
5	S130882A	DESSUS EDENA2 1102 LE-SE 50KW	1,0000
5	S130883A	DESSUS EDENA2 1102 LE-SE 60KW	1,0000
5	S130884A	DESSUS EDENA2 1102 LE-SE 70KW	1,0000
2	S133174A	FACADE 680 EDENA2 1102 LE-SE	1,0000
2	S133175A	FACADE 760 EDENA2 1102 LE-SE	1,0000
2	S133176A	FACADE 840 EDENA2 1102 LE-SE	1,0000
2	S133177A	FACADE 920 EDENA2 1102 LE-SE	1,0000
3	S17001699	FACADE ALU.EDENA2 1102 LE-SE	1,0000
6	S17949020	COTE GAUCHE EDENA2 1102 LE-SE	1,0000
1	S17949021	COTE DROIT EDENA2 1102 LE-SE	1,0000
7	S500668	SACHET VISSERIE JAQUETTE 1102 LE-SE	1,0000



N° 2045	HABILLAGE	259
---------	-----------	-----



(7) SACHET VISSERIE



## EDENA 2 1102 LE - SE

A PARTIR DE MARS 2000

N° 2045		HABILAGE		259
Repere	Désignation	Qté	Code	Zone note détail pièce
1	ENSEMBLE COTE DROIT ROUGE	1	S17949021	
2	ENSEMBLE FACADE 680 40KW	1	S133174A	
2	ENSEMBLE FACADE 760 50KW	1	S133175A	
2	ENSEMBLE FACADE 840 60KW	1	S133176A	
2	ENSEMBLE FACADE 920 70KW	1	S133177A	
3	FACADE ALU-	1	S17001699	
4	TOLE ARRIERE 5 ELEMENTS 40KW	1	S130776	
4	TOLE ARRIERE 6 ELEMENTS 50KW	1	S130777	
4	TOLE ARRIERE 7 ELEMENTS 60KW	1	S130778	
4	TOLE ARRIERE 8 ELEMENTS 70KW	1	S130779	
5	DESSUS 5 ELEMENTS 40KW	1	S130881A	
5	DESSUS 6 ELEMENTS 50KW	1	S130882A	
5	DESSUS 7 ELEMENTS 60KW	1	S130883A	
5	DESSUS 8 ELEMENTS 70KW	1	S130884A	
6	ENSEMBLE COTE GAUCHE ROUGE	1	S17949020	
7	SACHET VISSERIE JAQUETTE	1	S500668	

## EDENA 2 1102 LE

Repère	Référence	Désignation	Quantité
1	S130075	BOITIER 680 EDENA2 1102 LE-SE 40KW	1,0000
5	S131077	COUVERCLE ALU.EDENA2 1102 LE-SE 50KW	1,0000
5	S131078	COUVERCLE ALU.EDENA2 1102 LE-SE 60KW	1,0000
5	S131079	COUVERCLE ALU.EDENA2 1102 LE-SE 70KW	1,0000
2	S131080H	FACADE TABLEAU 760 EDENA2 LE-SE 50KW	1,0000
2	S131081H	FACADE TABLEAU 840 EDENA2 LE-SE 60KW	1,0000
2	S131082H	FACADE TABLEAU 920 EDENA2 LE-SE 70KW	1,0000
1	S131086	BOITIER 760 EDENA2 1102 LE-SE 50KW	1,0000
1	S131087	BOITIER 840 EDENA2 1102 LE-SE 60KW	1,0000
1	S131088	BOITIER 920 EDENA2 1102 LE-SE 70KW	1,0000
7	S133134	THERMOSTAT REGULATION 40/90° TXA4C007	1,0000
18	S15803592	FUSIBLE VERRE T4A D=5X20	10,0000
17	S15803999	PORTE FUSIBLE	1,0000
16	S15804542	BOUTON POUSSOIR L4 N/VERT	1,0000
12	S15804543	BOUTON POUSSOIR L4 N/NOIR	1,0000
13	S15838250	VOYANT ROUGE 17023.110	1,0000
10	S15838251	VOYANT ORANGE D.6 230V	1,0000
11	S15838252	VOYANT ROUGE D.6 110V	1,0000
14	S15838265	VOYANT RECTANGULAIRE VERT	1,0000
5	S17001321	COUVERCLE ALU.EDENA2 1102 LE-SE 40KW	1,0000
3	S17002311	FACADE UTILISATEUR ABS EDENA	1,0000
4	S17002313	COIN GAUCHE EDENA	1,0000
8	S17004738	MANETTE THERMOSTAT P/CB110	1,0000
20	S17005591	PLATINE D'OBTURATION	1,0000
15	S17006940	THERMOSTAT RAK 77.44.71	1,0000
9	S17007051	THERMOMETRE VERTICAL RECT.1,5M	1,0000
19	S17071441	TORON EDENA LE 97_____	1,0000
2	S17949196	FACADE TABLEAU 680 EDENA2 LE-SE 40KW	1,0000
6	S17949284	SUPPORT THERMOSTAT TABLEAU EDENA2 LE-SE	1,0000
21	S500672	SACHET VISSERIE TABLEAU 1102 LE-SE	1,0000

# EDENA 2 1102 LE



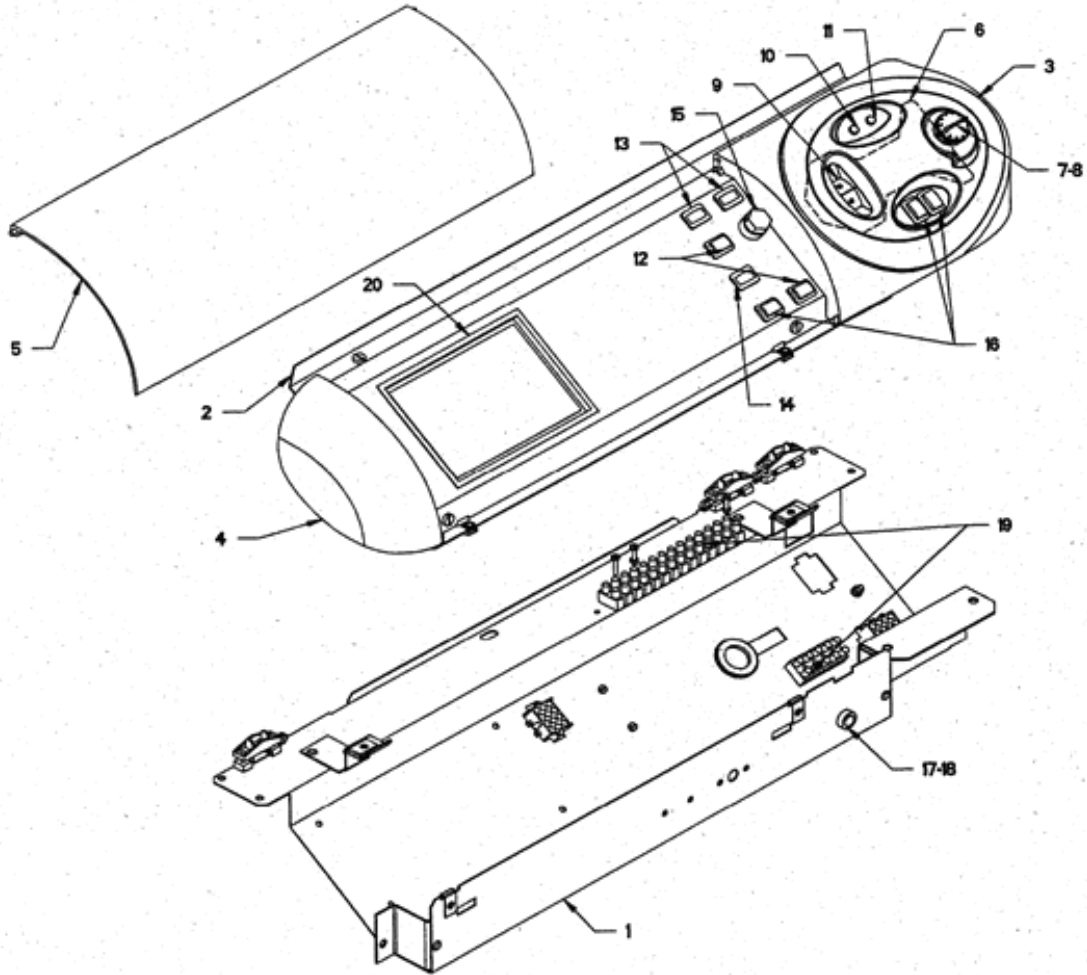
EDENA 2 1102 LE - SE

A partir de Mars 2000

N° 2046

TABLEAU DE COMMANDE

260



(2) SACHET VISSERIE



EDENA 2 1102

A PARTIR DE MARS 2000

N° 2046		TABLEAU DE COMMANDE		260
Repere	Désignation	Qté	Code	Zone note détail pièce
1	BOITIER asse. 680 40KW	1	S130075	
1	BOITIER asse. 760 50KW	1	S131086	
1	BOITIER asse. 840 60KW	1	S131087	
1	BOITIER asse. 920 70KW	1	S131088	
2	FACADE TABLEAU 680 40KW	1	S17949196	
2	FACADE TABLEAU 760 50KW	1	S131080H	
2	FACADE TABLEAU 840 60KW	1	S131081H	
2	FACADE TABLEAU 920 70KW	1	S131082H	
3	FACADE UTILISATEUR	1	S17002311	
4	CORN GAUCHE	1	S17002313	
5	COUVERCLE ALU- 40KW	1	S17001321	
5	COUVERCLE ALU- 50KW	1	S131077	
5	COUVERCLE ALU- 60KW	1	S131078	
5	COUVERCLE ALU- 70KW	1	S131079	
6	SUPPORT THERMOSTAT	1	S17949284	
7	THERMOSTAT DE REGULATION 40/90	1	S133134	
8	MANETTE DE THERMOSTAT	1	S17004738	
9	THERMOMETRE vertical rect-1g 1,5m	1	S17007051	
10	VOYANT ORANGE dia-6 : 230Volt	1	S15838251	
11	VOYANT ROUGE dia-6 : 110Volt	1	S15838252	
12	BOUTON POUSSOIR NOIR	1	S15804543	
13	VOYANT ROUGE : 110Volt	1	S15838250	
14	VOYANT VERT : 230Volt	1	S15838265	
15	THERMOSTAT sécurité	1	S17006940	
16	BOUTON POUSSOIR VERT	1	S15804542	
17	PORTE FUSIBLE COMPLET	1	S15803999	
18	FUSIBLE 5x20 - 4 Amp	10	S15803592	
19	TORON TYPE LE / SE	1	S17071441	
20	PLAQUE DE BANDEAU CHAPPEE	1	S17005591	
21	SACHET DE VISSERIE TABLEAU	1	S500672	