

INITIA+ HTE 2.24

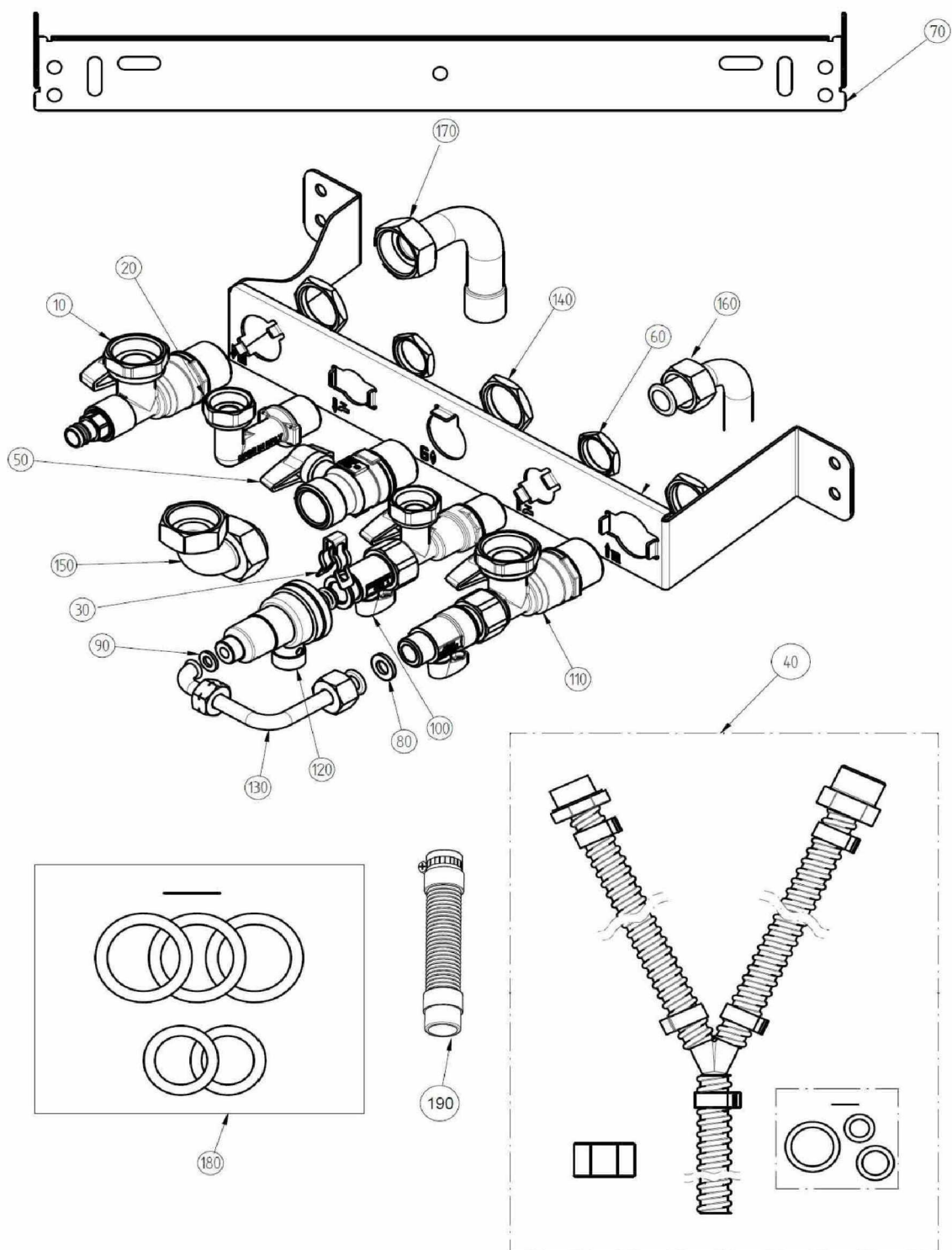
| Réf. | Référence | Description | Qté | Tarif | Substitut | Tarif Sub. | Remarques |
|------|-----------|----------------------------------|-----|-------------------|-----------|------------|-----------|
| 2 | SX710066 | PANNEAU GAUCHE INITIA PLUS | 1 | | | | |
| 3 | SX710066 | PANNEAU DROIT INITIA PLUS | 1 | | | | |
| 4 | 7648475 | PANNEAU AVANT INITIA+ | 1 | 32,80 € | | | |
| 10 | SX540902 | RACCORDEMENT VENTOUSE (1 | 1 | | | | |
| 11 | SX540901 | JOINT VENTOUSE CAOUTCHOUC | 1 | | | | |
| 12 | SX510869 | OBTURATEUR (5108690) | 1 | 1,05 € | | | |
| 13 | SX540740 | JOINT OBTURATEUR DECOUPE (x3 | 1 | 1,05 € | | | |
| 18 | SX710078 | VENTURI AGU3721 | 1 | | | | |
| 21 | SX540205 | JOINT 6,1x11,5x1,5 (X3) | 1 | | | | |
| 22 | 7680621 | EXTRACTEUR NRG118 | 1 | 155,00 € | | | |
| 27 | 7216211 | CHAMBRE ETANCHE | 1 | 28,70 € | | | |
| 29 | SX710283 | PANNEAU ISOLANT ARRIERE | 1 | | | | |
| 30 | SX541102 | PANNEAU ISOLANT (5411020 | 1 | | | | |
| 30 | 766208100 | PANNEAU ISOLANT 2 TROUS | 1 | 26,20 € | | | |
| 32 | SX567194 | ECHANGEUR PRINCIPAL 4E (5 | 1 | | | | |
| 33 | SX710963 | O-RING 22X3 EPDM (x3) | 1 | 4,40 € | | | |
| 34 | SX838086 | CLIPS ECHANGEUR PRINCIPAL | 1 | | | | |
| 35 | SX710022 | VASE D'EXPANSION 8L | 1 | | | | |
| 36 | SX710157 | TUBE LIAISON VASE | 1 | | | | |
| 48 | SX710282 | GOUTIERE AIR NEUF | 1 | | | | |
| 49 | SX540928 | BOUCHON RACCORD.VENTOUSE | 1 | | | | |
| 59 | SX851352 | CABLE ELECT.D'ALLUMAGE L=250 | 1 | | | | |
| 63 | SX710220 | ELECTRODE ALLUMAGE HTE | 1 | | | | |
| 65 | SX710220 | ELECTRODE IONISATION HTE | 1 | 18,40 € | | | |
| 70 | 7669298 | TUBE ECHANGEUR-POMPE | 1 | Nous consulter... | | | |
| 72 | 7221855 | POMPE UMP 15-60 6M AVEC CABL. | 1 | | | | |
| 73 | 7219215 | DEGAZEUR CALEFFI WI | 1 | 10,90 € | | | |
| 73 | SX710493 | DEGAZEUR POMPE | 1 | | | | |
| 76 | 711613000 | ECHANGEUR SANITAIRE 14 PLAQL | 1 | 38,30 € | | | |
| 77 | 711613500 | JOINT ECHANGEUR SANITAIRE | 1 | 1,55 € | | | |
| 80 | 711608400 | GR.ENT SANIT.8L/RET CHAUF. | 1 | 62,90 € | | | |
| 81 | 711633400 | GROUP FILTRE LIMITEUR 8L | 1 | 28,20 € | | | |
| 83 | SX566611 | LIMITEUR DEBIT SANIT.8L/MN | 1 | | | | |
| 87 | 711652200 | ELEMENT DE CONNEX.DE POMPE | 1 | 2,90 € | | | |
| 91 | SX565203 | ROBINET DE VIDANGE (PDM5€ | 1 | 4,40 € | | | |
| 92 | SX710109 | SOUPAPE SECURITE 3BAR | 1 | | | | |
| 99 | SX838085 | CLIP TUBE BY-PASS | 1 | | | | |
| 102 | 711606100 | ENSEMBLE VANNE 3 VOIES | 1 | 55,70 € | | | |
| 120 | 711356900 | BOUCHON AVANT+PISTON V3V | 1 | 60,90 € | | | |
| 122 | SX540537 | O-RING "FILTRE SANITAIRE" (x3) (| 1 | 3,80 € | | | |
| 131 | SX843540 | SONDE CTN (8435400) | 1 | | | | |
| 132 | SX540283 | JOINT SONDE SANITAIRE (X10) (| 1 | | | | |
| 134 | SX710011 | DIAPHRAGME GAZ D5,6 | 1 | | | | |
| 135 | SX995076 | SECURITE SURCHAUFFE 105Å° (9' | 1 | | | | |
| 136 | SX710157 | TUBE DEPART CHAUFFAGE | 1 | | | | |
| 139 | 7667942 | TUBE GAZ FLEXIBLE | 1 | 22,90 € | | | |
| 140 | SX710023 | VANNE GAZ VGU86S | 1 | | | | |
| 151 | SX710018 | COUVERCLE BOITIER ELECTRIQUE | 1 | 5,60 € | | | |
| 152 | SX710036 | PANNEAU AV.TABLEAU DE BORD | 1 | | | | |

INITIA+ HTE 2.24

| | | | | |
|-----|-----------|---------------------------------|---|---------|
| 153 | SX710018 | CAPOT BORNIER DE RACCORDEM | 1 | 1,05 € |
| 154 | 7222145 | CIRCUIT LMS 14 MIXTE ERP 7222 | 1 | |
| 156 | 7222166 | CIRCUIT IMPRIME AVS77 ENS. | 1 | 41,20 € |
| 166 | SX842159 | BORNIER DE RACCORDEMENT | 1 | |
| 167 | SX540534 | PORTE-FUSIBLES (x3) (PDM540534 | 1 | 1,05 € |
| 168 | SX995058 | FUSIBLES 2A 250V (X10) (995058C | 1 | |
| 169 | SX710554 | MANOMETRE | 1 | |
| 174 | SX710100 | CLAVIER DIPLAY 7 TOUCHES | 1 | |
| 192 | SX540465 | JOINT G3/4" 17x24x2 (X10) # | 1 | |
| 242 | SX843527 | SONDE CTN FUMEE | 1 | |
| 259 | SX710828 | LOGO CHAPPEE | 1 | 1,05 € |
| 285 | SX710083 | CAPOT CLIP-IN | 1 | 1,05 € |
| 314 | SX710071 | CABLE RALLONGE IONISATION | 1 | |
| 336 | SX838068 | RESSORT FIX MOTEUR V3V | 1 | |
| 337 | SX569458 | MOTEUR V3V ELBI | 1 | |
| 340 | SX710109 | CAPTEUR DE PRESSION | 1 | |
| 382 | SX851113 | CABLE ELECTRODE IONISATION | 1 | |
| 411 | SX710185 | JOINT ELECTRODE IONISATION | 1 | 1,60 € |
| 415 | 7658690 | SIPHON HYDRAULIQUE H220 | 1 | 27,30 € |
| 419 | SX541100 | JOINT BRIDE/ECHANGEUR | 1 | |
| 428 | SX540929 | JOINT HUBLLOT (X3) (5409290) | 1 | |
| 432 | SX541042 | JOINT FUMEEES Å~60 | 1 | |
| 435 | SX540755 | JOINT FUMEEES Å~100 (5407550) | 1 | |
| 445 | 7217271 | TUBE ECHANGEUR/SIPHON 72172 | 1 | 5,70 € |
| 496 | SX040002 | O-RING 2062 (x3) (400020) | 1 | |
| 511 | SX540460 | O-RING 17,86X2,62 (X3) | 1 | |
| 525 | SX843526 | ALLUMEUR ANSTOS ZAG 2XV01 (8 | 1 | |
| 527 | 7215830 | BOUCHON | 1 | 2,10 € |
| 528 | SX710439 | SONDE CTN TODS | 1 | |
| 601 | SX540856 | O-RING 8,73X1,78 (x3) (5408560) | 1 | |
| 624 | SX843538 | CAPTEUR DE DEBIT (843 | 1 | |
| 673 | 7220855 | TUBE RACCORD CONDENSE/SIPHON | 1 | 7,20 € |
| 679 | SX851115 | CABLE MASSE ELECTR.D'ALL.L=27 | 1 | |
| 681 | SX710185 | JOINT ELECTRODE D'ALLUMAGE | 1 | |
| 708 | SX541097 | JOINT D:60 (5410970) | 1 | 1,05 € |
| 709 | SX842316 | DOMINOS PORTE FUSIBLE(842316) | 1 | |
| 710 | SX541103 | JOINT D:80 (5411030) | 1 | |
| 711 | 7216964 | JOINT SIPHON 721696400 | 1 | 1,25 € |
| 746 | SX541090 | JOINT VENTILATEUR (5410900) | 1 | |
| 758 | SX710051 | BOITE A AIR | 1 | |
| 780 | SX710014 | TRAVERSE FIXATION SUPERIEURE | 1 | |
| 781 | SX710011 | CLIP FIXATION FLEXIBLE GAZ | 1 | |
| 784 | SX710123 | SUPPORT REDUCTION AIR NEUF | 1 | |
| 785 | SX710061 | O-RING 18x3 EPDM | 1 | |
| 786 | SX710387 | JOINT EPDM SOUP./CAISSON | 1 | 1,05 € |
| 788 | SX710176 | JOINT CHAMBRE DE COMBUSTION | 1 | |
| 790 | SX710117 | BORNIER M2 | 1 | 2,30 € |
| 792 | SX710189 | BOUCHON EPDM NOIR | 1 | |
| 800 | 7215821 | JOINT VANNE GAZ | 1 | 1,05 € |
| 808 | 721311400 | JOINT 18X2 | 1 | 1,35 € |

INITIA+ HTE 2.24

| | | | | | |
|-----|-----------|------------------------------|-----------|---|---------|
| 809 | 7116150 | RESSORT | | 1 | 1,05 € |
| 999 | SX841454 | CABLE M1/TA | (8414540) | 1 | |
| 999 | SX841462 | CABLE M1 ALIM ELEC | (8414620) | 1 | |
| 999 | SX710038 | CABLE X41/AFFICHEUR | | 1 | |
| 999 | SX710057 | CABLE X10/BORNIER M1 | | 1 | 2,80 € |
| 999 | SX710062 | CABLE X14/VG-ALLUMEUR | | 1 | |
| 999 | SX710062 | CABLE X21/M2-SONDE BALLON-EX | | 1 | |
| 999 | SX710062 | CABLE X42/M2-SONDE QAA | | 1 | 3,10 € |
| 999 | SX710066 | CABLE X12/M1-TA | | 1 | 1,70 € |
| 999 | SX710071 | CABLE RALLONGE CTN FUMEE | | 1 | |
| 999 | SX710079 | CABLE X20/M2 SONDES AUX | | 1 | 1,55 € |
| 999 | SX710103 | CABLE MASSE | | 1 | 1,05 € |
| 999 | SX710514 | CABLE X22/CTN | | 1 | |
| 999 | 711193200 | CABLE V3V | | 1 | 5,90 € |
| 999 | 7218355 | CABLAGE PWM EXTRACT./POMPE | | 1 | 9,30 € |
| 999 | 7669306 | CABL. EXTRAC./POMPE WI. | | 1 | 19,40 € |
| 999 | 7669308 | CABL. EXTRAC./POMPE GR. | | 1 | 12,90 € |
| 999 | 7656919 | BOUCHON DE SIPHON (JAUNE) | | 1 | 3,20 € |
| 999 | 7101684 | RACCORD PRESSOSTAT | | 1 | 2,20 € |





INITIA + HTE (2015 -> ...)

INITIA+ HTE 2.24

| Réf. | Référenc | Description | Qté | Tarif | Substitut | Tarif Sub. | Remarques |
|------|----------|-------------------------------|-----|--------|-----------|------------|-----------|
| 10 | SX710788 | ROBINET DEPART CHAUFFAGE | 1 | | | | |
| 20 | SX710788 | COUDE DEPART ECS | 1 | | | | |
| 30 | SX511253 | RESSORT FIXATION DISCONNECTI | 1 | 1,05 € | | | |
| 40 | SX710467 | COLLECTEUR DE VIDANGE | 1 | | | | |
| 50 | SX710788 | ROBINET DE GAZ | 1 | | | | |
| 60 | SX520954 | ECROU G1/2 | 1 | | | | |
| 70 | SX710014 | TRAVERSE FIXATION SUPERIEURE | 1 | | | | |
| 80 | SX540497 | JOINT 3/8" (x10) (PDM5404970) | 1 | | | | |
| 90 | SX540205 | JOINT 6,1x11,5x1,5 (X3) | 1 | | | | |
| 100 | SX710826 | ROBINET EF | 1 | | | | |
| 110 | SX710826 | ROBINET RET.CHAUFFAGE | 1 | | | | |
| 120 | SX710796 | DISCONNECTEUR | 1 | | | | |
| 130 | SX710808 | TUBE DISCONNECTEUR | 1 | | | | |
| 140 | SX995032 | CONTRE ECROU G 3/4 (9950320) | 1 | | | | |
| 150 | SX710829 | TUBE GAZ | 1 | | | | |
| 160 | SX710777 | DOUILLE COUDE EF/ECS | 1 | | | | |
| 170 | SX565763 | TUBE D:18 (5657630) | 1 | | | | |
| 180 | SX563285 | POCHETTE DE JOINT | 1 | | | | |
| 190 | SX061743 | TUBE SORTIE SIPHON | 1 | | | | |