

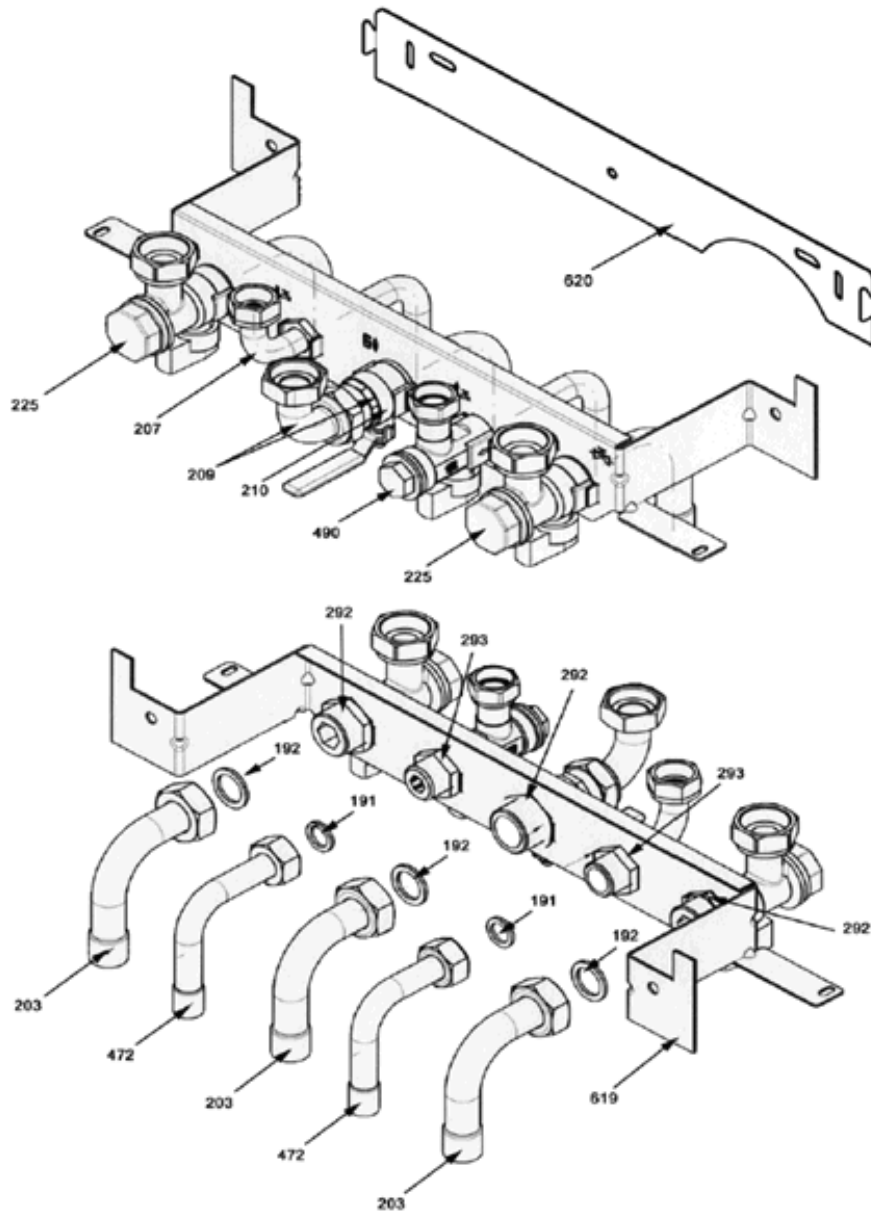
INITIA

Repère	Référence	Désignation	Quantité
191	SX5404640	JOINT G 1/2" (x10) (PDM5404640)	1,0000
192	SX5404650	JOINT G3/4" 17x24x2 (X10) #	1,0000
203	SX5657630	TUBE D:18 (5657630)	1,0000
207	SX5656440	COUDE SORTIE SANITAIRE (5656440)	1,0000
209	SX5657650	GROUPE ROBINET GAZ+COUDE (5657650)	1,0000
210	SX9950830	ROBINET MM G3/4" (9950830)	1,0000
225	SX5696680	ROBINET CHAUFFAGE	1,0000
292	SX9950320	CONTRE ECROU G 3/4 (9950320)	1,0000
293	SX5204900	CONTRE ECROU G 1/2 (5204900)	1,0000
472	SX5657640	TUBE D:14 (5657640)	1,0000
490	SX5657830	ROBINET ENTREE SANITAIRE G 1/2 (5657830)	1,0000
619	SX5112500	TRAVERSE PLATINE HYDRAULIQUE (5112500)	1,0000
619	SX5113880	TRAVERSE PLATINE HYDRAULIQUE (5113880)	1,0000
620	SX5112380	TRAVERSE DE FIXATION CHAUDIERE (5112380)	1,0000
999	KFG714068011	Nouvelle pièce	1,0000
999	SX9219250	GABARIT EN PAPIER (9219250)	1,0000
999	SX9237490	GABARIT EN PAPIER (9237490)	1,0000
999	SX5630670	GROUPE VIS DE FIXATION (5630670)	1,0000
999	SX0614720	SACHET DE JOINTS (0614720)	1,0000



BARRETTE MIXTE

N°	KFG714068015	
----	--------------	--



INITIA



INITIA

Repère	Référence	Désignation	Quantité
0	SX5112060	SUPPORT SECURITE ANTIDEBORDEMENT (5112060)	1,0000
1	SX5653150	CHASSIS MONTANT VERTICAL (5653150)	1,0000
2	SX5112030	PANNEAU COTE H=803 (5112030)	1,0000
4	SX5662530	PANNEAU AVANT I	1,0000
5	SX5110290	TRAVERSE ARRIERE SUPERIEURE (5110290)	1,0000
6	SX5111710	TRAVERSE ARRIERE INFERIEURE (5111710)	1,0000
7	SX5112020	TRAVERSE AVANT SUPERIEURE (5112020)	1,0000
27	SX5653760	CHAMBRE DE COMBUSTION (5653760)	1,0000
28	SX5210250	PANNEAU ISOLANT LATERAL (5210250)	1,0000
28	SX5213160	PANNEAU ISOLANT LATERAL (5213160)	1,0000
29	SX5210260	PANNEAU ISOL.ARRIERE(5210260)	1,0000
29	SX5213290	PANNEAU ISOLANT ARRIERE 32KW (5213290)	1,0000
30	SX5210270	PANNEAU ISOLANT AVANT (5210270)	1,0000
30	SX5213310	PANNEAU ISOLANT AVANT (5213310)	1,0000
31	SX5108030	PANNEAU AVANT CHAMBRE COMBUSTION (5108030)	1,0000
32	SX0603280	ECHANGEUR PRINCIPAL (603280)	1,0000
32	SX5632470	ECHANGEUR PRINCIPAL 23KW (PDM5632470)	1,0000
33	SX5403130	O-RING 22X3 EPDM (x3) (5403130)	1,0000
34	SX5112510	CLIP FIXATION ECHANGEUR PRIMAIRE (5112510)	1,0000
35	SX5658420	VASE D'EXPANSION MINI ACCUMULATION (5658420)	1,0000
41	SX5653300	BRULEUR 15 BECS (5653300)	1,0000
42	SX5604090	ELEMENT BRULEUR (5604090)	1,0000
43	SX0606140	NOURRICE PORTE-INJECTEUR 15T.D.1,18 (606140)	1,0000
43	SX0606190	NOURRICE PORTE-INJECTEUR 15T.D.0,69 (606190)	1,0000
44	SX0608440	KIT INJECTEURS D.1,18 GN (608440)	1,0000
44	SX0608460	KIT INJECTEURS D.0,69 BP (608460)	1,0000
45	SX5407940	JOINT NOURRICE (x3) (5407940)	1,0000
46	SX5657180	RACCORD NOURRICE (5657180)	1,0000
48	SX5112090	CACHE INFERIEUR CHAMBRE COMBUSTION (5112090)	1,0000
59	SX8419050	CABLE ELECTRODE D'ALLUMAGE (x2) (8419050)	1,0000
61	SX5404920	PROTECTION ELECTRODE (x4) (5404920)	1,0000
63	SX8422570	ELECTRODE ALLUMAGE (x4) (8422570)	1,0000
70	SX5653250	TUBE POMPE ECHANGEUR (5653250)	1,0000
72	SX5655200	POMPE GRUNDFOS 15/50 (5655200)	1,0000

INITIA

Repère	Référence	Désignation	Quantité
73	SX0607290	DEGAZEUR (607290)	1,0000
74	SX5406360	O-RING 14X1,78 (x3)	1,0000
76	SX5652190	ECHANGEUR SANITAIRE 22 PLAQUES (5652190)	1,0000
76	SX5686700	ECHANGEUR SANITAIRE 22 PLAQUES (5686700)	1,0000
76	SX5689930	ECHANGEUR SANITAIRE 20 PLAQUES (5689930)	1,0000
77	SX5404520	JOINT ECHANGEUR SANITAIRE(x4) (PDM5404520)	1,0000
80	SX5659420	GROUPE ENTREE SANITAIRE/RETOUR CHAUFFAGE (5659420)	1,0000
81	SX5652270	GROUPE FILTRE/VENTURI SANITAIRE (5652270)	1,0000
82	SX5630170	VENTURI ECS (PDM5630170)	1,0000
83	SX5629240	LIMITEUR DEBIT SANIT.8L/MN	1,0000
84	SX5111180	FILTRE SANITAIRE (x3) (PDM5111180)	1,0000
85	SX5405350	JOINT O-RING FILTRE SANITAIRE (x3) (PDM5405350)	1,0000
87	SX5210710	ELEMENT DE CONNEXION POMPE (5210710)	1,0000
90	SX5630180	ROBINET DE REMPLISSAGE	1,0000
91	SX5652030	ROBINET DE VIDANGE (PDM5652030)	1,0000
92	SX9951170	SOUPAPE DE SECURITE 3BARS (9951170)	1,0000
96	SX5658290	TUBE PRESSION + (5658290)	1,0000
97	SX5658300	TUBE PRESSION - (5658300)	1,0000
98	SX5658280	TUBE BY-PASS (5658280)	1,0000
99	SX5108130	CLIP TUBE DE BY-PASS (PDM5108130)	1,0000
100	SX5406630	JOINT D=13,94x2,62 (x3) (PDM5406630)	1,0000
102	SX5659470	VANNE 3 VOIES (5659470)	1,0000
103	SX5652130	PRESSOSTAT SANITAIRE (5652130)	1,0000
108	SX8101420	VIS M4X12 (8101420)	1,0000
109	SX5207810	JOINT (x3) (5207810)	1,0000
112	SX5405960	MEMBRANE SECURITE DEBIT D'EAU (x3) (PDM5405960)	1,0000
114	SX5403820	JOINT O-RING (x3) (5403820)	1,0000
117	SX5646180	BOUCHON AVANT (5646180)	1,0000
118	SX8380520	RESSORT BY-PASS (8380520)	1,0000
120	SX5646190	BOUCHON PRESSOSTAT SANITAIRE	1,0000
122	SX5405370	O-RING "FILTRE SANITAIRE" (x3) (5405370)	1,0000
131	SX8433090	SONDE CTN (PDM8433090)	1,0000
131	SX8434820	SONDE CTN CH et SN MURALE (8434820)	1,0000

INITIA

Repère	Référence	Désignation	Quantité
132	SX5402830	JOINT SONDE SANITAIRE (X10) (PDM5402830)	1,0000
134	SX5211180	DIAPHRAGME GAZ 4,6mm (5211180)	1,0000
135	SX9950760	SECURITE SURCHAUFFE 105° (9950760)	1,0000
136	SX5661160	TUBE V3V/ECHANGEUR-MAX (5661160)	1,0000
137	SX0610080	TUBE GAZ (610080)	1,0000
138	SX5402010	JOINT O-RING (x3) (PDM5402010)	1,0000
139	SX5210630	RACCORD ENTREE GAZ ((5210630)	1,0000
140	SX5653610	VANNE GAZ SIT (845 SIGMA)	1,0000
147	SX5653160	TRAVERSE PLATINE HYDRAULIQUE (5653160)	1,0000
151	SX5407650	COUVERCLE BOITIER ELECTRIQUE (5407650)	1,0000
152	SX5662470	PANNEAU CDE INITIA MAX 2,24VMC	1,0000
153	SX5407660	COUVERCLE BRANCHE.ELECTRIQUE (5407660)	1,0000
154	SX5657840	CIRCUIT IMPRIME INECO MAW UNIVERSAL (5657840)	1,0000
154	SX5661740	CIRCUIT IMPRIME LMU 33 (5661740)	1,0000
154	SX5669060	CIRCUIT IMPRIME LMU 33 (5669060)	1,0000
154	SX5678250	CIRCUIT IMPRIME LMU33 VANN.SIT (5678250)	1,0000
166	SX8421590	BORNIER DE RACCORDEMENT (PDM8421590)	1,0000
167	SX5405340	PORTE-FUSIBLES (x3) (PDM5405340)	1,0000
168	SX8421410	FUSIBLE 2A (x10) (PDM8421410)	1,0000
169	SX5653700	MANOMETRE (5653700)	1,0000
169	SX8922380	THERMOMANOMETRE (8922380)	1,0000
170	SX5407750	SUPPORT MANOMETRE (5407750)	1,0000
174	SX5408630	BOUTON POTENTIOMETRE LUNA (5408630)	1,0000
192	SX5404650	JOINT G3/4" 17x24x2 (X10) #	1,0000
234	SX5659570	TUBE DISCONNECTEUR CHAUD.MAX (5659570)	1,0000
236	SX5658650	DISCONNECTEUR WATTS(jjj005658650)	1,0000
240	SX0608980	CLAPET AVEC RACCORD ET O-RING (608980)	1,0000
241	SX5645570	ANTIREFOULEUR (5645570)	1,0000
242	SX0611690	SECURITE ANTIDEBORDEMENT 42° (611690)	1,0000
252	SX8434550	SELECTEUR (x2) (8434550)	1,0000
280	SX5207730	JOINT 14,2X18X1,5 AL-18 (x3) (5207730)	1,0000
284	SX5405990	PISTON POTENTIOMETRE (5405990)	1,0000
286	SX8240530	ECROU (8240530)	1,0000
314	SX8418870	CABLE ELECTRODE D'IONISATION (x2) (8418870)	1,0000

INITIA

Repère	Référence	Désignation	Quantité
316	SX8380610	RESSORT FIX.MICRO (8380610)	1,0000
336	SX8380680	RESSORT FIX MOTEUR V3V	1,0000
337	SX5647340	MOTEUR V3V ELBI	1,0000
337	SX710188300	MOTEUR ELBI	1,0000
356	SX5634820	BOUCHON AVANT (GROUPE) (5634820)	1,0000
357	SX8380600	RESSORT SECURITE DEBIT D'EAU (8380600)	1,0000
358	SX5634830	BOUCHON PRESSOSTAT (5634830)	1,0000
362	SX0607470	GROUPE CABLES MICRO (607470)	1,0000
363	SX5405390	JOINT O-RING D=13,60x2,7 (x3) (5405390)	1,0000
390	SX0605780	PRESSOSTAT POMPE (605780)	1,0000
485	SX5407510	JOINT O-RING (x3) (5407510)	1,0000
487	SX5658310	ENS.TUBE DEPART VASE EXPANSION (5658310)	1,0000
488	SX5658320	ENS.TUBE SORTIE VASE EXPANSION (5658320)	1,0000
493	SX0605660	MANETTE ROBINET REMPLISSAGE	1,0000
496	SX0400020	O-RING 2062 (x3) (400020)	1,0000
501	SX0605790	PISTON DEBISTAT SANITAIRE (605790)	1,0000
503	SX0400080	MEMBRANE PRESSOSTAT SANITAIRE (x3) (400080)	1,0000
510	SX0600760	ENS.OBTURATEUR SANITAIRE (600760)	1,0000
511	SX5404600	O-RING 17,86X2,62 (X3)	1,0000
513	SX0605740	GROUPE BY-PASS	1,0000
517	SX5407840	CLIP FIXATION TUBE (5407840)	1,0000
518	SX5112040	CHEVILLE PANNEAU COMMANDE (5112040)	1,0000
519	SX5407780	LED (5407780)	1,0000
525	SX8419060	ALLUMEUR NAC-SIT (8419060)	1,0000
600	SX5112530	RESSORT FIXATION DISCONNECTEUR (5112530)	1,0000
601	SX5408560	O-RING 8,73X1,78 (x3) (5408560)	1,0000
999	SX5407980	JOINT POUR ALLUMEUR NAC SIT (x3) (5407980)	1,0000
999	SX5655320	CABLE A2-A4/POMP-INTER-THER	1,0000
999	SX8414620	CABLE M1 ALIM ELEC (8414620)	1,0000
999	SX8418860	CONNECTEUR PONT TIMER (8418860)	1,0000
999	SX8418950	CABLE M1 INTERUPTEUR (8418950)	1,0000
999	SX8419130	CABLE A4 POMPE-COMMUTATEUR	1,0000
999	SX8419140	CABLE A2-A4/POMP-INTER-THER	1,0000
999	SX8419270	CABLE A8/V3V	1,0000

INITIA

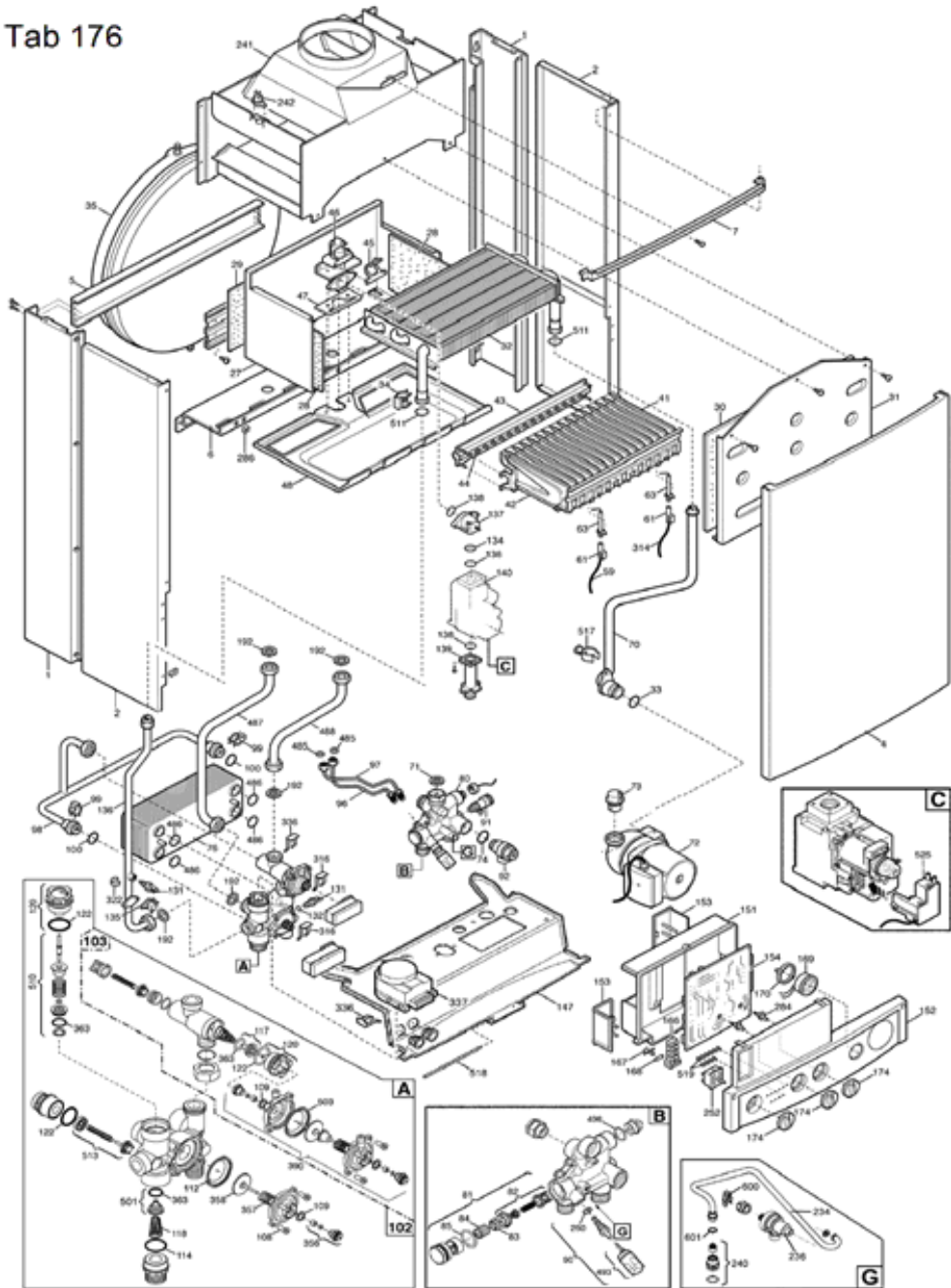
Repère	Référence	Désignation	Quantité
999	SX8419400	CABLE A5/CTN-MICRO-MODUL (8419400)	1,0000



INITIA MAX VMC

N° 1296	CPN433243080	INITIA MAX 2.24 VMC	Tab 176
---------	--------------	---------------------	---------

Tab 176



INITIA

